

4

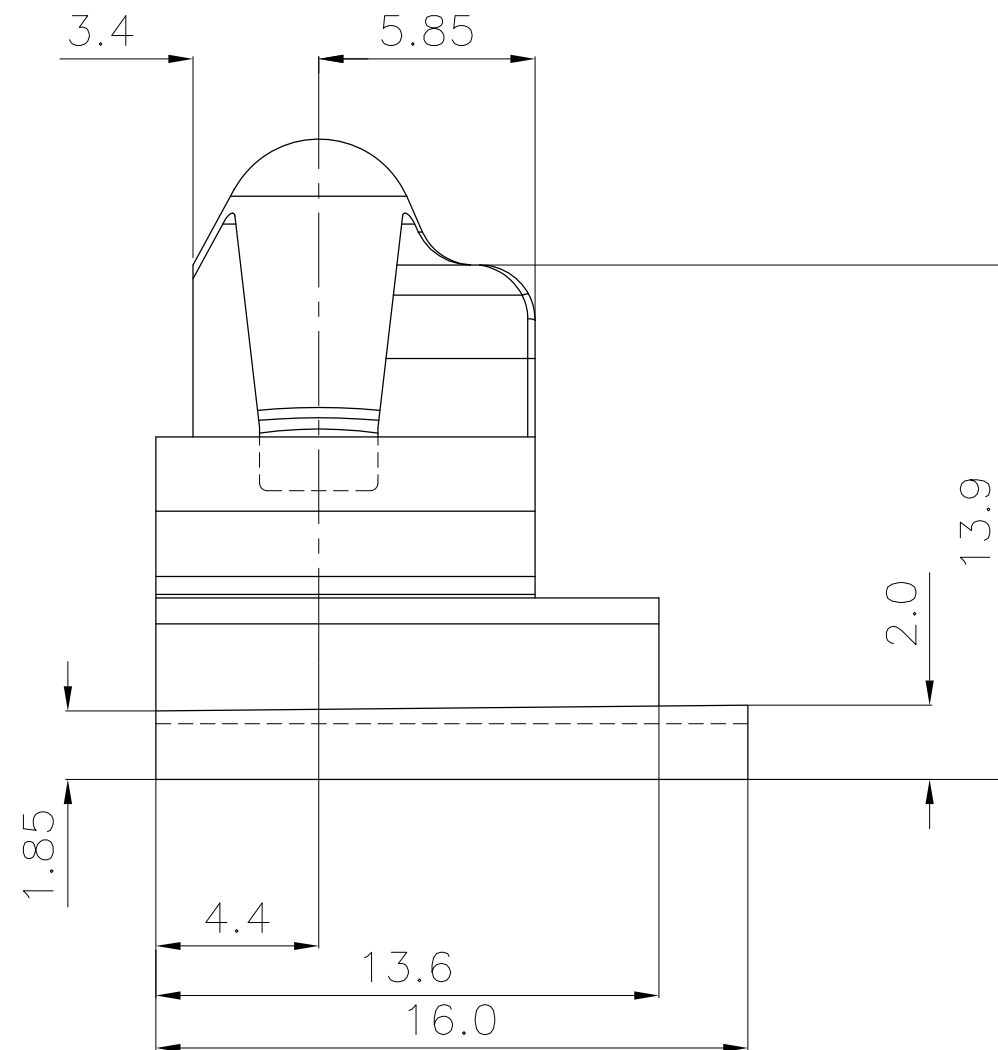
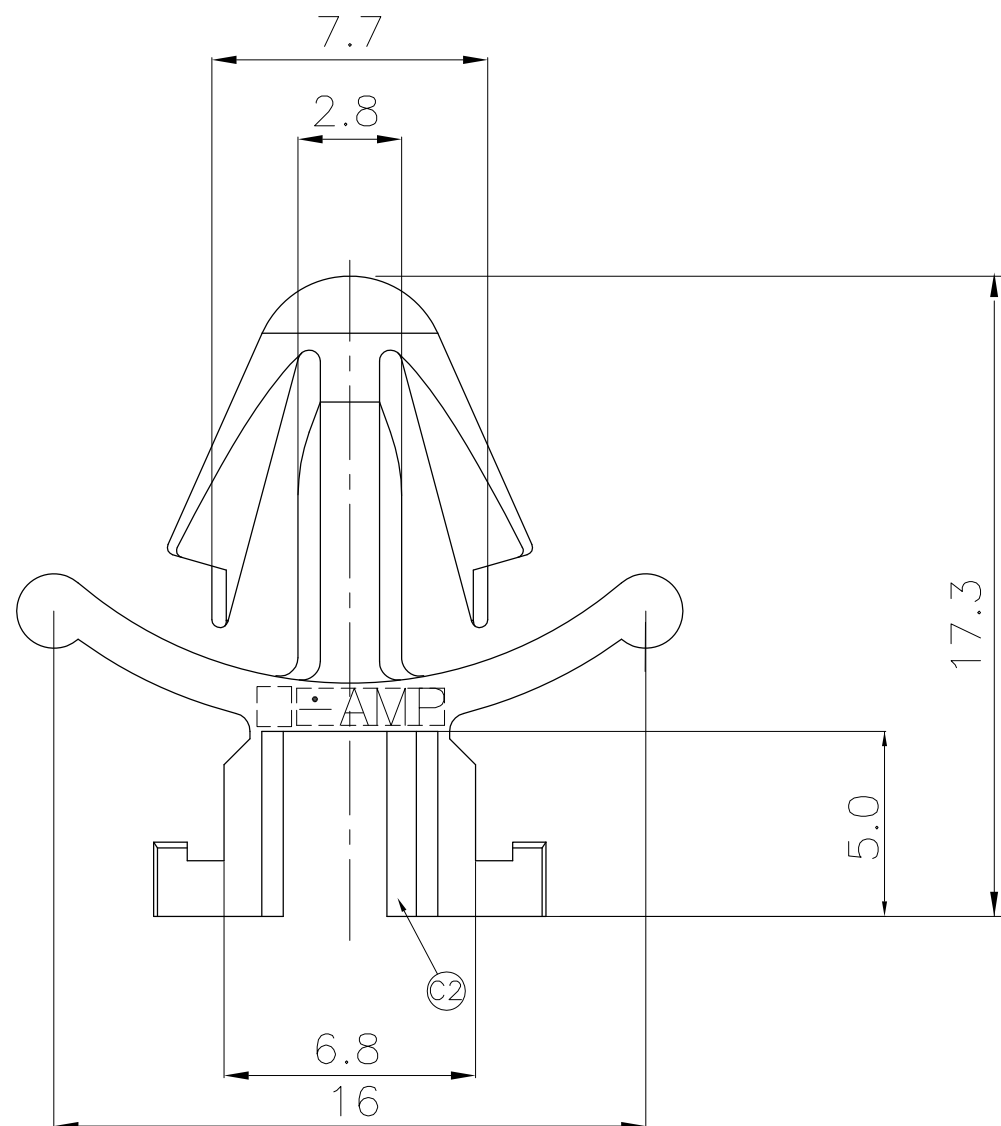
3

2

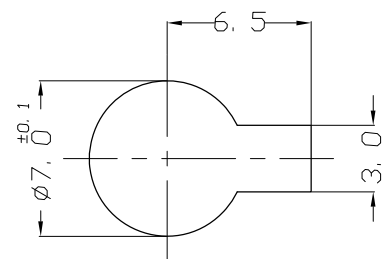
1

THIS DRAWING IS UNPUBLISHED. RELEASED FOR PUBLICATION  
 © COPYRIGHT BY TYCO ELECTRONICS CORPORATION, ALL RIGHTS RESERVED.

LOC	DIST	REVISIONS					
		P	LTR	DESCRIPTION	DATE	DWN	APVD
DS	-		C1	REVISED (FC00-0197-04)	24.AUG.'04	JG	CS
			C2	REVISED (ECR-09-017139)	31.AUG.'09	KT	HG



NOTE  
 1. PANNEL HOLE SIZE (PANNEL t=0.7~1.6)



BLACK	PA66	CLIP HSG	368317-1
COLOR	MATERIAL	DESCRIPTION	P/N

<small>THIS DRAWING IS A CONTROLLED DOCUMENT FOR TYCO ELECTRONICS CORPORATION          IT IS SUBJECT TO CHANGE AND THE CONTROLLING ENGINEERING ORGANIZATION          SHOULD BE CONTACTED FOR THE LATEST REVISION.</small>		D/WN <b>KT JUNG</b> CHK <b>JW JUNG</b> APVD <b>HG CHO</b> PRODUCT SPEC - APPLICATION SPEC - WEIGHT -		<b>Tyco Electronics</b> AMP KOREA, Kyungsan, Korea NAME <b>CLIP HSG FOR MQS CONNECTOR</b>	
DIMENSIONS: MM 	TOLERANCES UNLESS OTHERWISE SPECIFIED: 0 <XX<10 ± 0.2 10<XX<30 ± 0.25 30<XX ± 0.3 ANGLES ± 3°	MATERIAL <b>SEE TABLE</b>	FINISH 	SIZE <b>A3</b>	CAGE CODE <b>00779</b>
CUSTOMER DRAWING				DRAWING NO <b>C=368317</b>	RESTRICTED TO -
				SCALE <b>5/1</b>	SHEET <b>1</b> OF <b>1</b> REV <b>C2</b>

单击下面可查看定价，库存，交付和生命周期等信息

[>>TE Connectivity\(泰科\)](#)