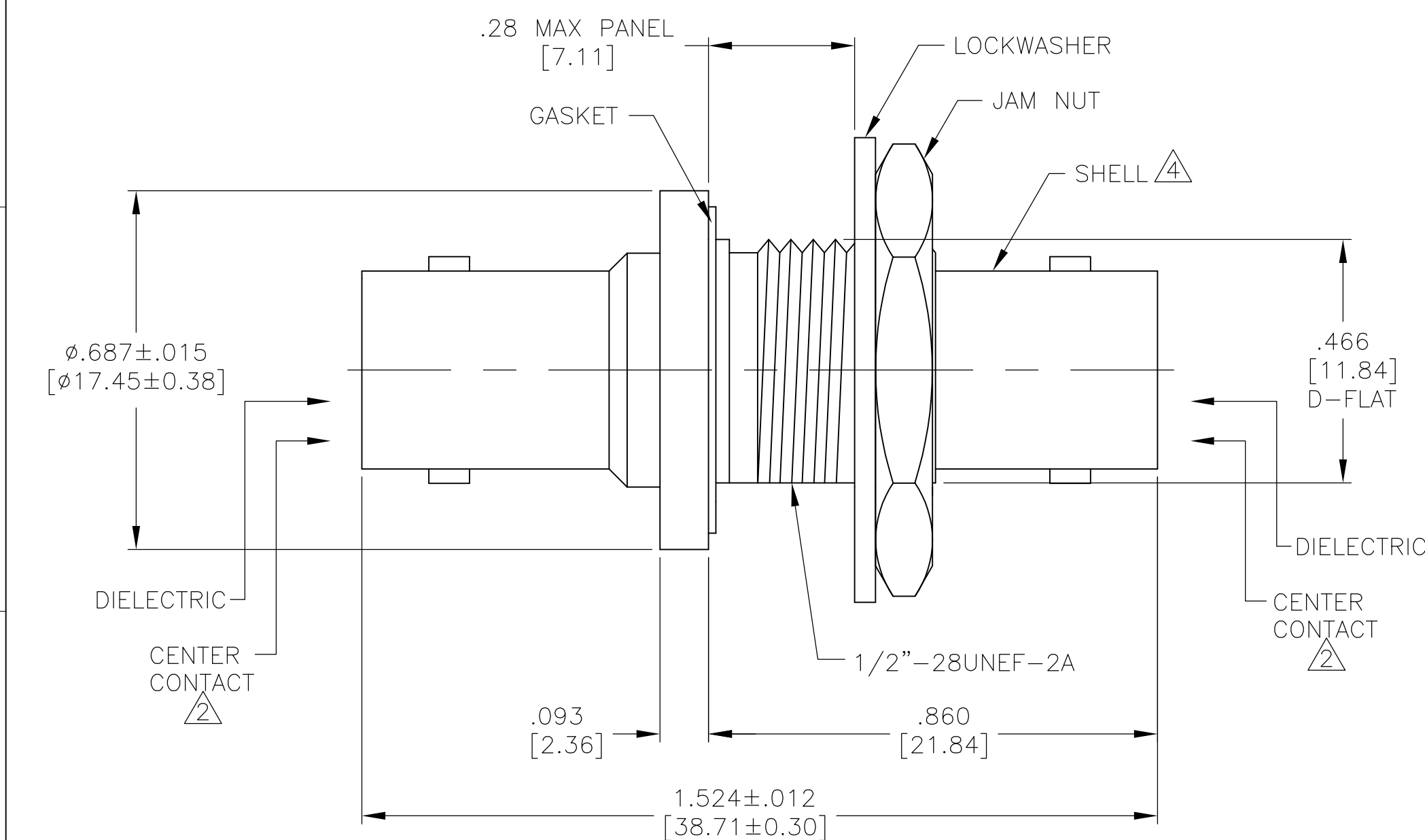
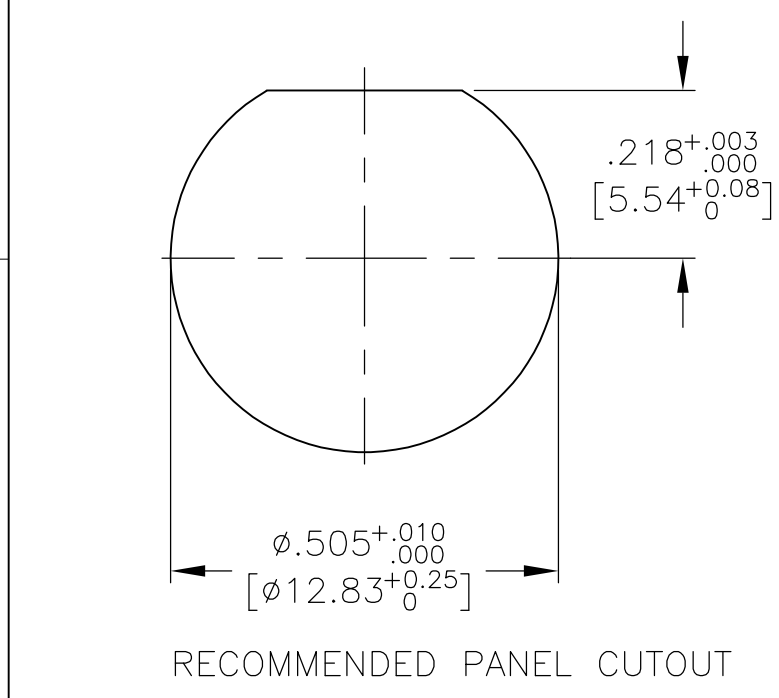


THIS DRAWING IS UNPUBLISHED. RELEASED FOR PUBLICATION
 © COPYRIGHT - By - ALL RIGHTS RESERVED.

LOC	DIST	REVISIONS					
AJ	16	P	LTR	DESCRIPTION	DATE	DWN	APVD
		K1		REV PER ECR-15-005272	03APR2015	RZ	MC



- 1 MATERIALS:
 DIELECTRIC: PTFE
 CENTER CONTACT: BERYLLIUM COPPER
 SHELL: BRASS
 GASKET: SILICONE
 LOCKWASHER: PHOSPHOR BRONZE
 JAM NUT: BRASS
- 2 SILVER PLATE PER QQ-S-365,
 5.08 um [.000200] MIN THICKNESS
- 3. PRODUCT MUST BE INTERMATEABLE
 PER MIL-C-39012
- 4 NICKEL PLATE PER QQ-N-290,
 2.54 um [.000100] MIN THICKNESS



330024
 PART NUMBER

THIS DRAWING IS A CONTROLLED DOCUMENT.		DWN	M.E. COWHER	2-28-92	STE TE Connectivity	NAME		ADAPTER, JACK, BHD, BNC			
DIMENSIONS: INCHES		CHK	M. PHILLIPS	3-2-92		APPLICATION SPEC		SIZE	CAGE CODE	DRAWING NO	RESTRICTED TO
TOLERANCES UNLESS OTHERWISE SPECIFIED:		APVD	M.E. COWHER	3-3-92		PRODUCT SPEC		A3	00779	C-330024	
0 PLC ± -		MATERIAL		1		FINISH		2 4		CUSTOMER DRAWING	
1 PLC ± -							SCALE		4:1		
2 PLC ± .03							SHEET		1 OF 1		
3 PLC ± .005							REV		K1		
4 PLC ± -											
ANGLES ± -											

单击下面可查看定价，库存，交付和生命周期等信息

[>>TE Connectivity\(泰科\)](#)