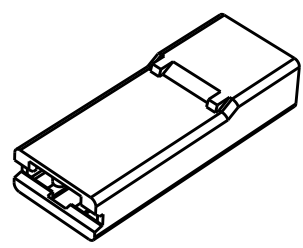
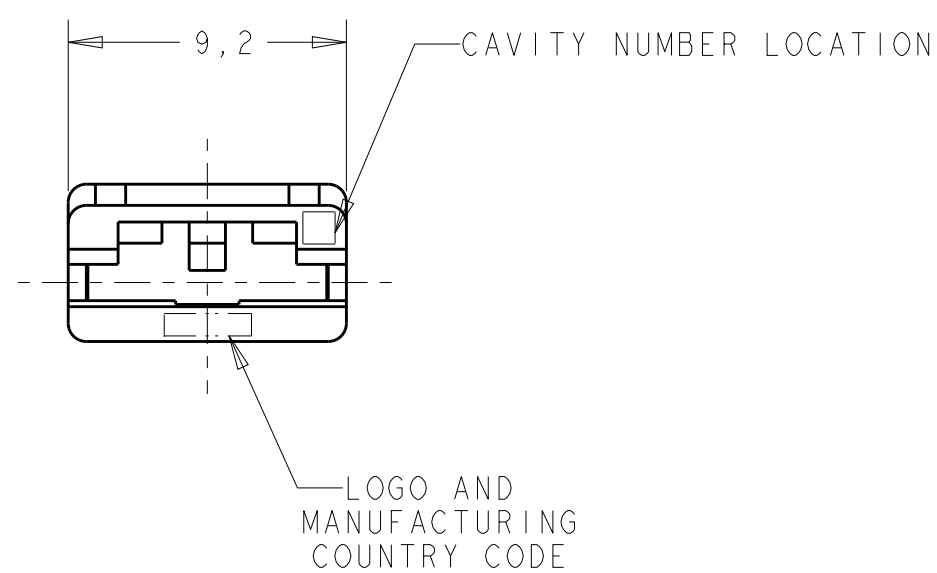
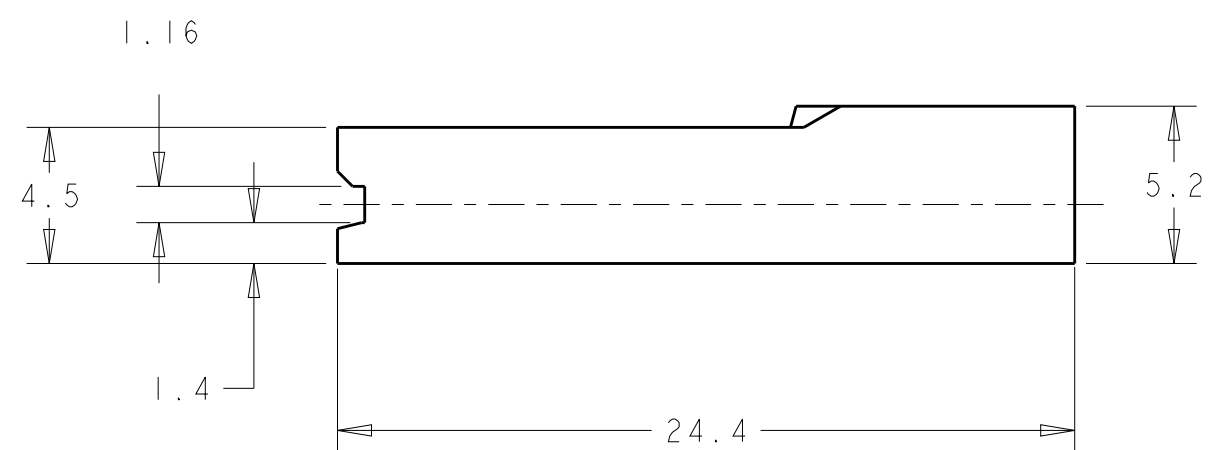


THIS DRAWING IS UNPUBLISHED. RELEASED FOR PUBLICATION
 © COPYRIGHT - ALL RIGHTS RESERVED.

LOC	DIST	REVISIONS			
P	LTR	DESCRIPTION	DATE	DWN	APVD
AP	-	A4	REV. BY ECO 17-010547	18JUL2017	HC WLS
		A5	REV. BY ECO 18-014120	26SEP2018	HC WLS
		B	REVISED PER ECO-19-015154	08OCT2019	WLS WLS



BLACK	PBT - HB - TEMPERATURE RESISTANT	2-2133346-0
GREEN	PA 6.6 94 - V-2	1-2133346-5
BLACK		1-2133346-4
YELLOW		1-2133346-3
BLUE		1-2133346-2
RED		1-2133346-1
NATURAL		1-2133346-0
BLACK		POLIPROPYLENE
NATURAL	POLIPROPYLENE	2133346-1
COLOR	MATERIAL	PART NUMBER

OBSOLETE

THIS DRAWING IS A CONTROLLED DOCUMENT.

DWN: 23MAI2011 H.C. CANTER
 CHK: 25MAI2011 W.L. STEFANI
 APVD: -

PRODUCT SPEC: 108-22033
 APPLICATION SPEC: -
 WEIGHT: -

STE TE Connectivity

NAME: POST INSULATION FASTON 6.35 MM HSG
 POST INSULATION FASTON 6.35 MM HSG

SIZE: A3 CAGE CODE: - DRAWING NO: C-2133346 RESTRICTED TO: -

Customer Drawing SCALE: 4:1 SHEET: 1 OF 1 REV: B

单击下面可查看定价，库存，交付和生命周期等信息

[>>TE Connectivity\(泰科\)](#)