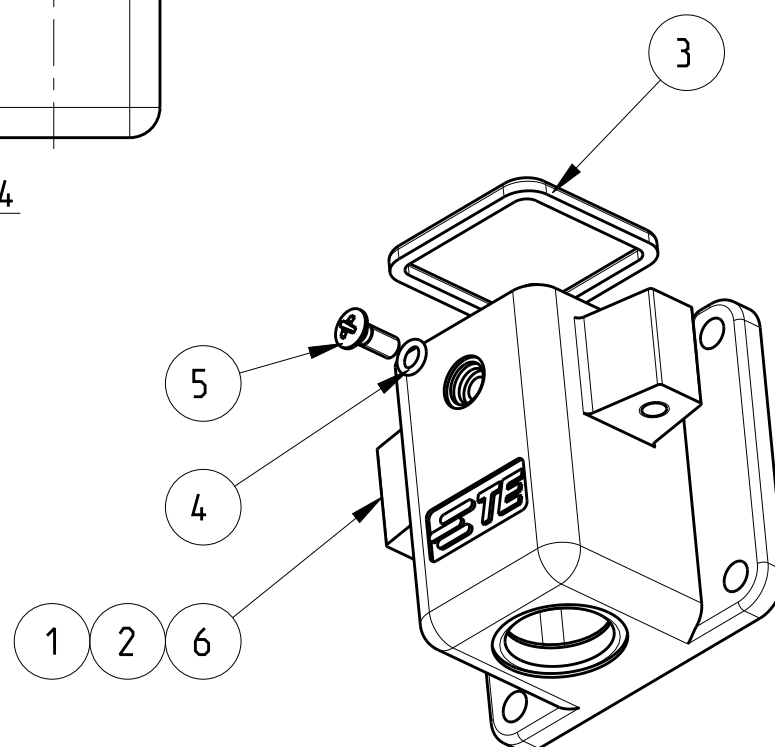
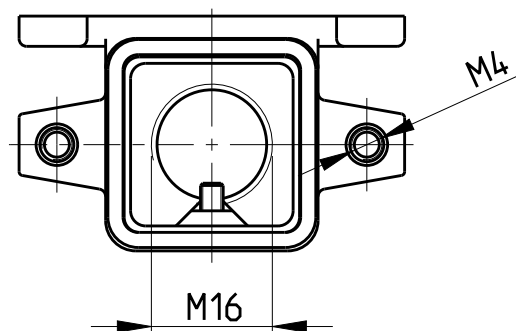
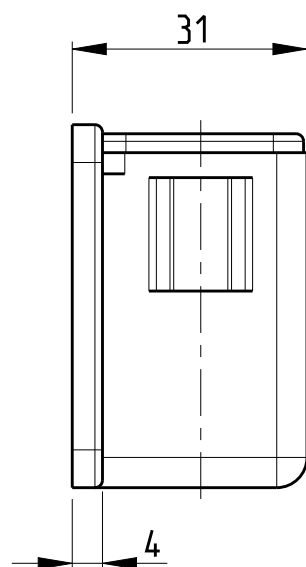
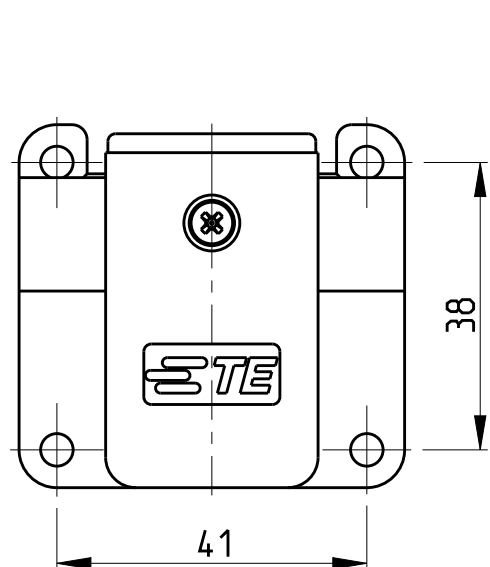


THIS DRAWING IS UNPUBLISHED. RELEASED FOR PUBLICATION 2009  
 © COPYRIGHT 2009 BY - ALL RIGHTS RESERVED.

REVISIONS

P	LTR	DESCRIPTION	DATE	DWN	APVD
A2		ECR-09-023155	22OCT2009	VG	AR
A3		ECR-10-009777	27MAY2010	SR	AR
B		ECR-16-001983	20MAY2016	GCM	JB
C		ECR-16-014579	10MAY2017	GCM	JB



Notes

- 1 SUITABLE HOUSINGS: SERIES HIP, SIZE 1  
CUSTOMER DRAWING 1102600 1106408, 1106200
- 2 STANDARDS:  
DIN EN 61984, DIN EN 60664-1
- 3 TOOL:  
PHILLIPS SCREWDRIVER PH1.
- 4 VARNISH ON INSIDE AREA NOT NECESSARY
- 5 PACKAGING:  
10 SETS IN A CARTON.

PART NO.	ORDERING TEXT
0-1106407-3	HIP-K.3/4.SG-N
0-1106407-2	HIP-K.3/4.SG.1.M16.G
0-1106407-1	HIP.3/4.SG.1.M16.G

0-3	0-2	0-1	DESCRIPTION	MATERIAL	COLOR/SURFACE	NOTE	ITEM
			1 ANGLED BULKHEAD HOUSING	ALU	BLACK	WITHOUT LOGO & DRILLING	6
	1	1	1 SCREW COUNTERSUNK RAISED HEAD	STAINL. STEEL V2A	-	M3x8 PH1 DIN EN ISO 7047	5
	1	1	1 O - RING	NBR	BLACK	3.0x1.0	4
	1	1	1 PROFILE SEAL	FKM	BLACK	SERIES EMV / HIP	3
	1	-	1 ANGLED BULKHEAD HOUSING	ALU	BLACK	SERIES HIP-K	2
	-	1	1 ANGLED BULKHEAD HOUSING	ALU	GREY	SERIES HIP	1

PARTS LIST (PER ONE UNIT)

THIS DRAWING IS A CONTROLLED DOCUMENT.		DWN V.GLUMM 25AUG2009	<b>TE Connectivity</b>											
DIMENSIONS: mm		CHK H.Braun 25AUG2009												
TOLERANCES UNLESS OTHERWISE SPECIFIED:		APVD T.Schnurfeil 25AUG2009												
<table border="0"> <tr> <td>0 PLC</td> <td>±</td> </tr> <tr> <td>1 PLC</td> <td>±</td> </tr> <tr> <td>2 PLC</td> <td>±</td> </tr> <tr> <td>3 PLC</td> <td>±</td> </tr> <tr> <td>4 PLC</td> <td>±</td> </tr> <tr> <td>ANGLES</td> <td>±1°</td> </tr> </table>		0 PLC			±	1 PLC	±	2 PLC	±	3 PLC	±	4 PLC	±	ANGLES
0 PLC	±													
1 PLC	±													
2 PLC	±													
3 PLC	±													
4 PLC	±													
ANGLES	±1°													
MATERIAL -	FINISH -	APPLICATION SPEC -	NAME ANGLED BULKHEAD HOUSING ASS'Y SIDE ENTRY, SERIES HIP, SIZE 1											
		WEIGHT -	SIZE A3											
		CUSTOMER DRAWING	CAGE CODE 00779											
			DRAWING NO C-1106407											
			RESTRICTED TO -											
			SCALE 1:1											
			SHEET 1 OF 1											
			REV C											

单击下面可查看定价，库存，交付和生命周期等信息

[>>TE Connectivity\(泰科\)](#)