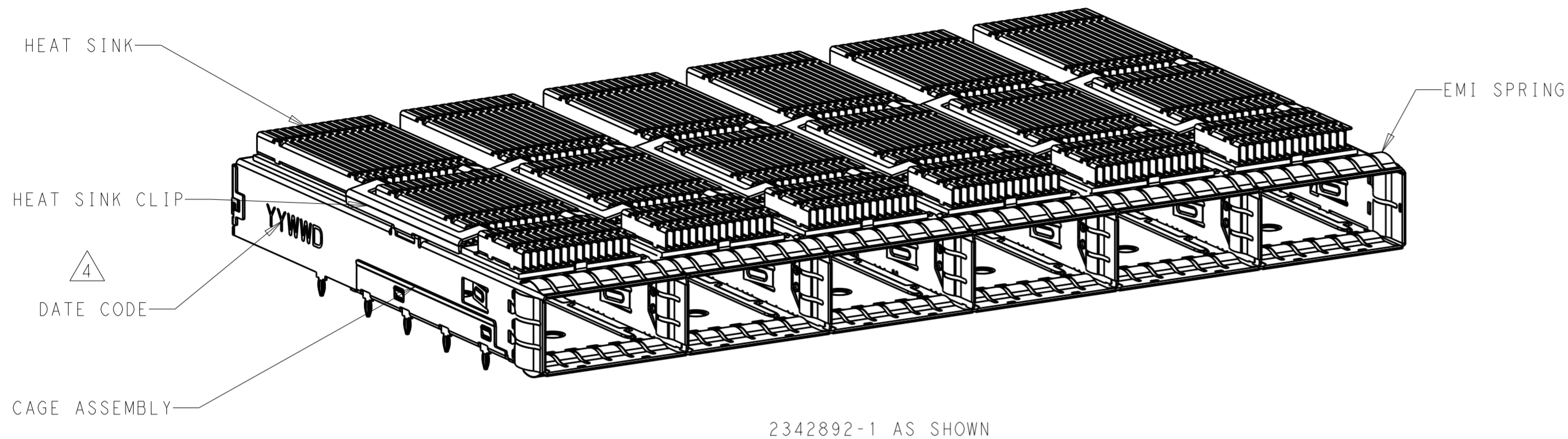


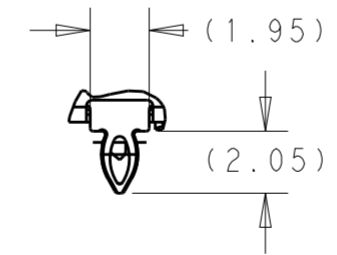
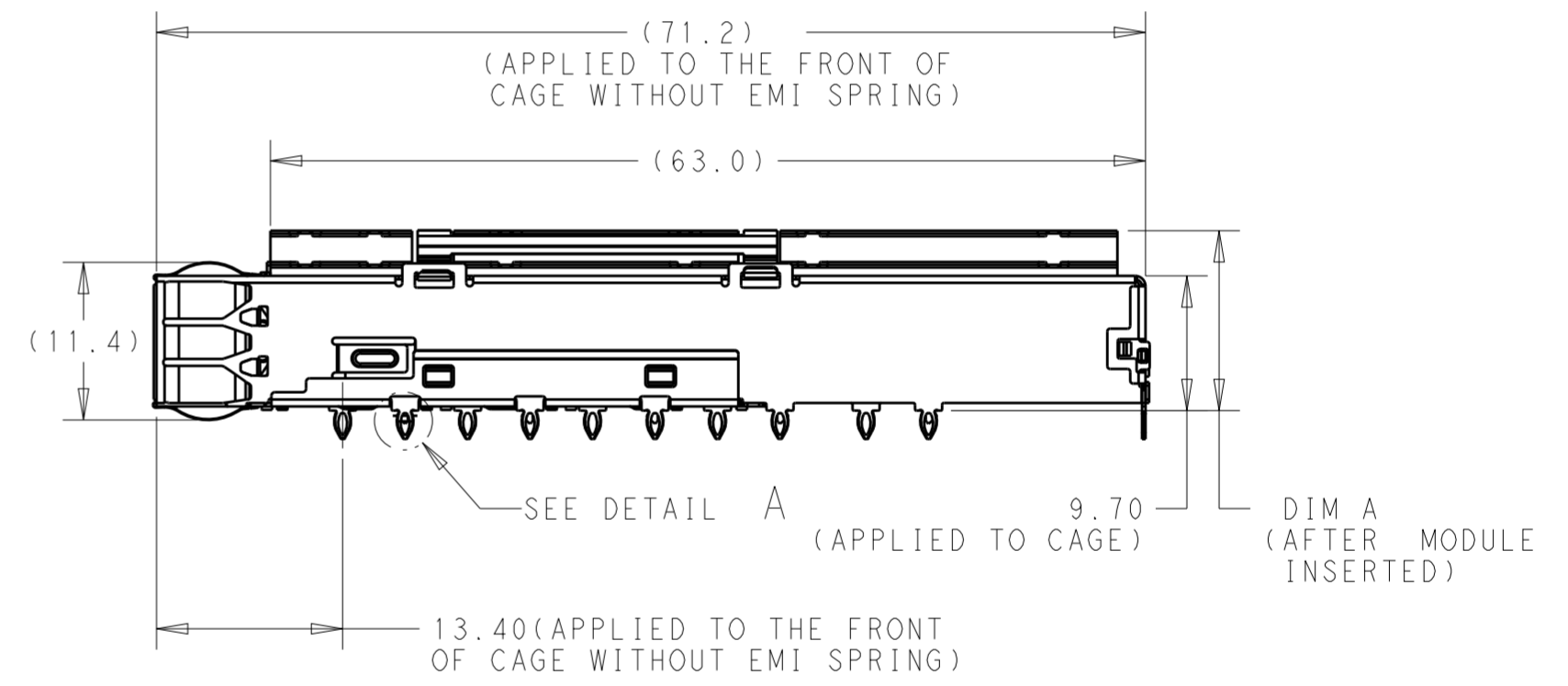
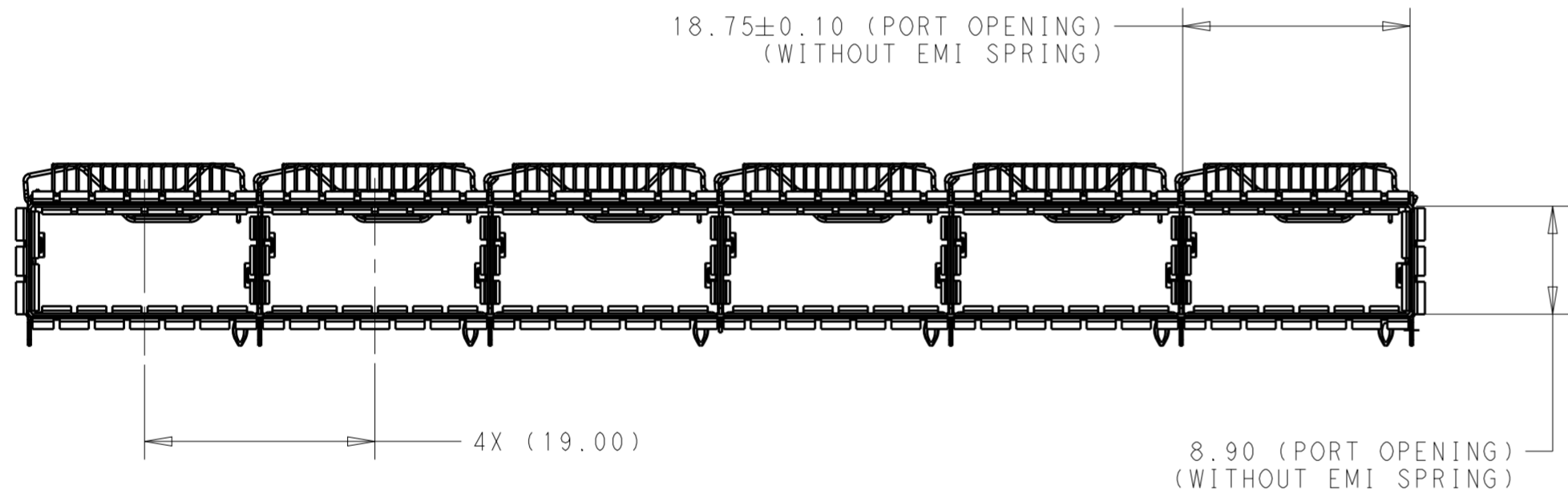
THIS DRAWING IS UNPUBLISHED. RELEASED FOR PUBLICATION 20
 © COPYRIGHT 20 BY - ALL RIGHTS RESERVED.

REVISIONS				
P	LTR	DESCRIPTION	DATE	APVD
1		INITIAL RELEASE	23AUG2018	SH SH
2		ADDED DIMENSION FOR PLUGGED IN	09NOV2018	SH SH
A		INITIAL RELEASE	12JUN2019	SH SH



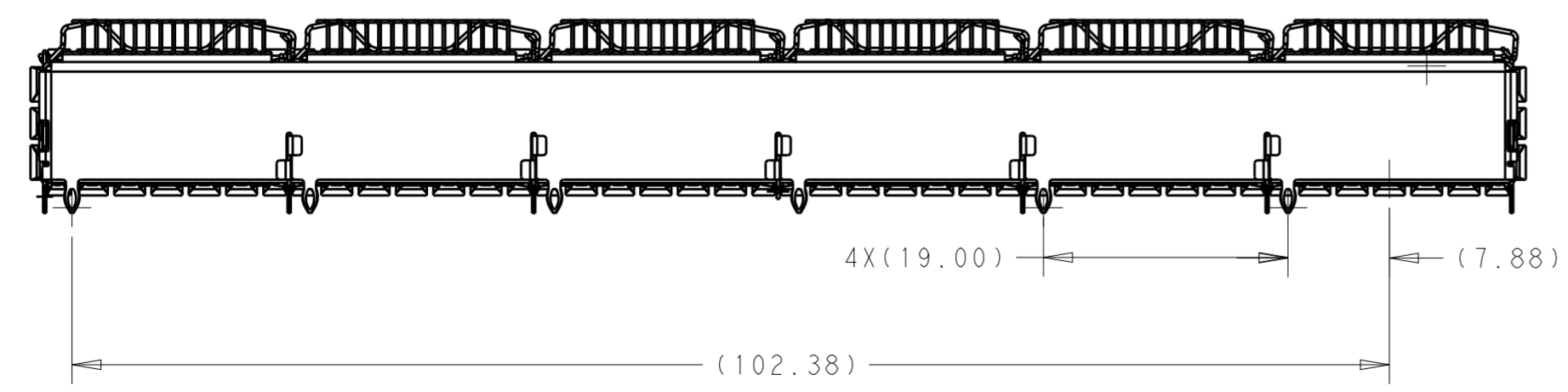
- 1 CAGE ASSEMBLY: STAINLESS STEEL
HEAT SINK: ALUMINUM/NICKEL PLATED
HEAT SINK CLIP: STAINLESS STEEL
EMI SPRING: COPPER ALLOY/ NICKEL PLATED
- 2 REFERENCE APPLICATION SPECIFICATION 114-60025 FOR RECOMMENDED DRILL HOLE DIAMETER AND PLATING THICKNESS. BOARD LAYOUT PER THIS PRINT.
- 3 DATUM AND BASIC DIMENSION ESTABLISHED BY CUSTOMER
- 4 DATE CODE(YYWWD) MARKED APPROXIMATELY AS SHOWN.
- 5. MATES WIHT QSFP-DD MSA COMPATIBLE TRANSCEIVER.
- 6. MINIMUM PC BOARD THICKNESS:
SINGLE SIDED: 1.57 MIN
DOUBLE SIDED: 3.00 MIN

2342892-1 AS SHOWN



2342892-1 AS SHOWN

DETAIL A
SCALE 4:1



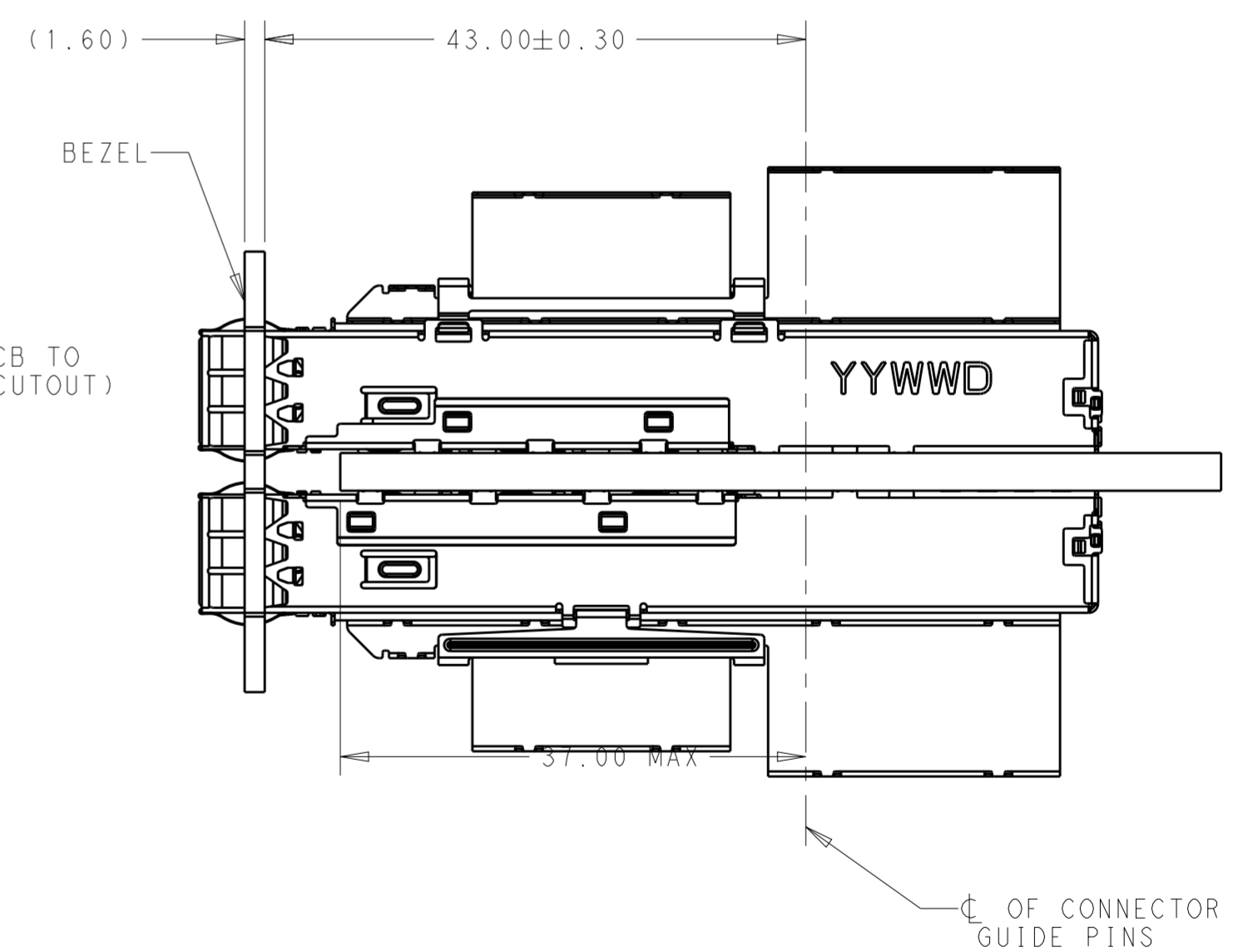
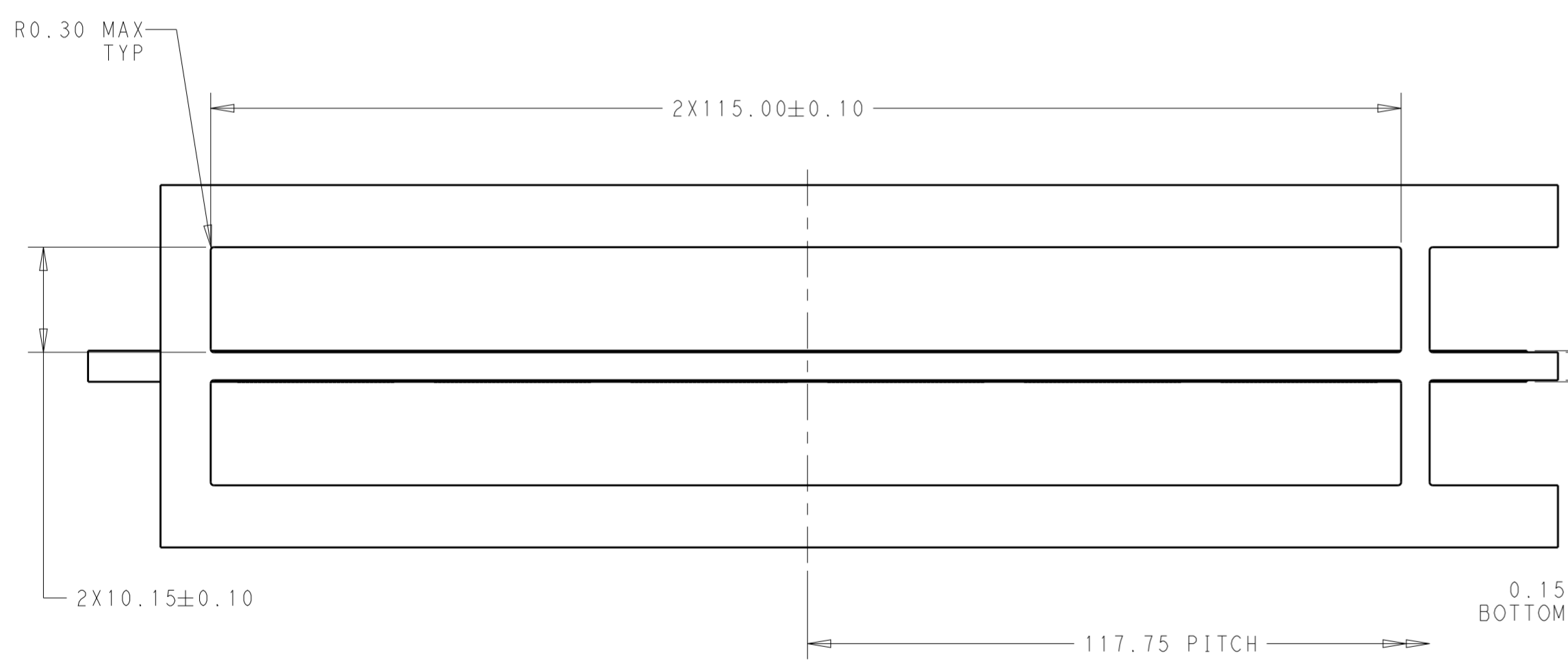
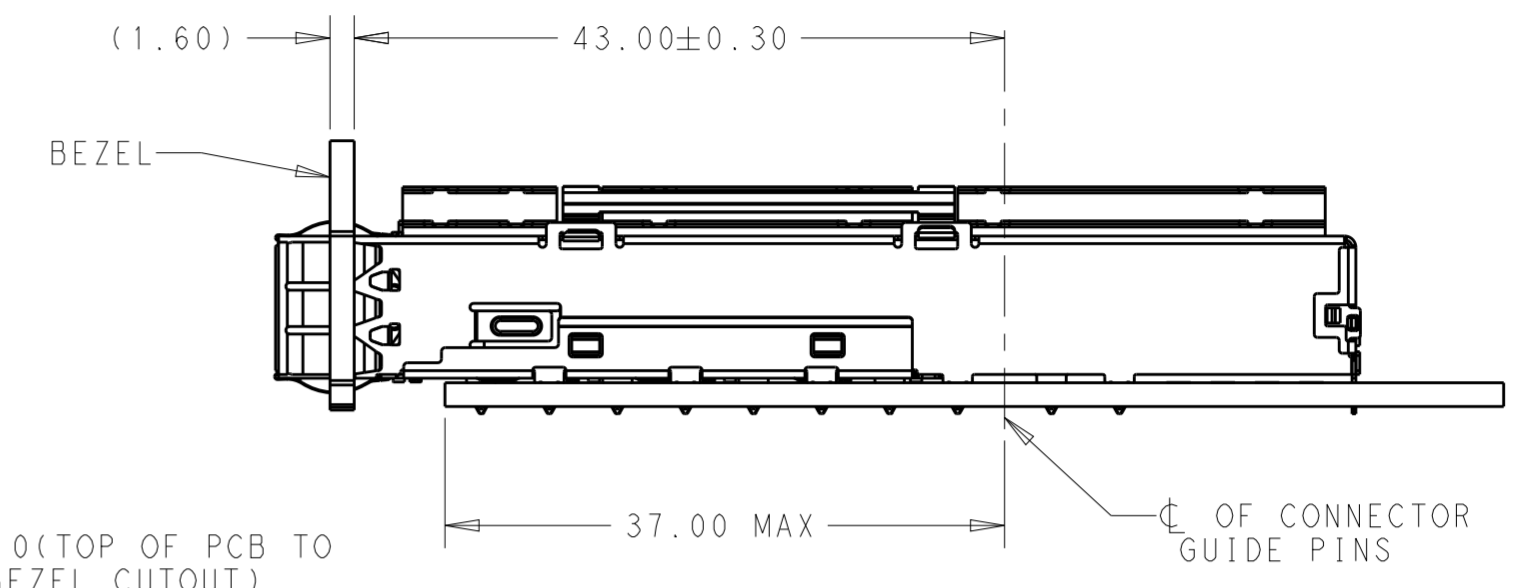
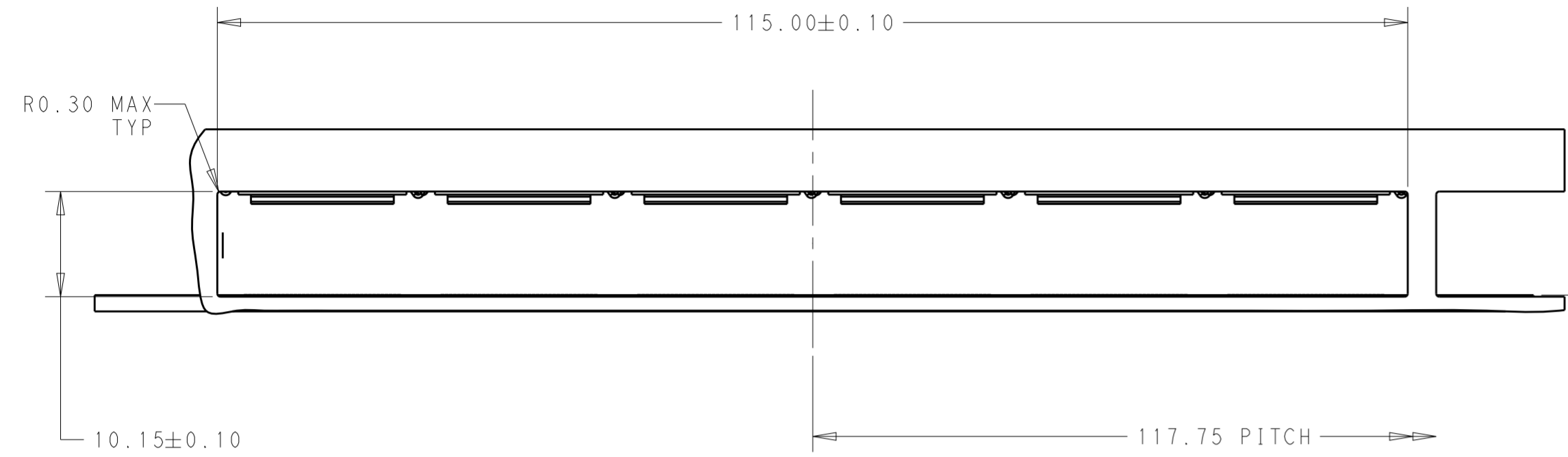
SCALE 2:1

HS SPECIFICATION	DIM A	PART NUMBER	DESCRIPTION	ITEM
NET	23.00	2342892-3	CAGE ASSY WITH NET HS	3
SAN	16.00	2342892-2	CAGE ASSY WITH SAN HS	2
PCI	13.70	2342892-1	CAGE ASSY WITH PCI HS	1

THIS DRAWING IS A CONTROLLED DOCUMENT.		DWN 23AUG2018 STEPHEN HE	TE Connectivity	NAME		
DIMENSIONS:		CHK 23AUG2018 SEAN HAN		CAGE ASSEMBLY WIHT HEAT SINK FOR GM		
TOLERANCES UNLESS OTHERWISE SPECIFIED:		APVD 23AUG2018 SEAN HAN		QSFP-DD 1X6 ZIPPER		
mm		PRODUCT SPEC		-		
0 PLC ±0.25		APPLICATION SPEC	SIZE	CAGE CODE	DRAWING NO	RESTRICTED TO
1 PLC ±0.25		WEIGHT	A2	-	©-2342892	-
2 PLC ±0.25		CUSTOMER DRAWING	SCALE	1:1	SHEET	1 OF 5
3 PLC ±					REV	A
4 PLC ±						
ANGLES ±1						
FINISH						

THIS DRAWING IS UNPUBLISHED. RELEASED FOR PUBLICATION 20
 © COPYRIGHT 20 BY - ALL RIGHTS RESERVED.

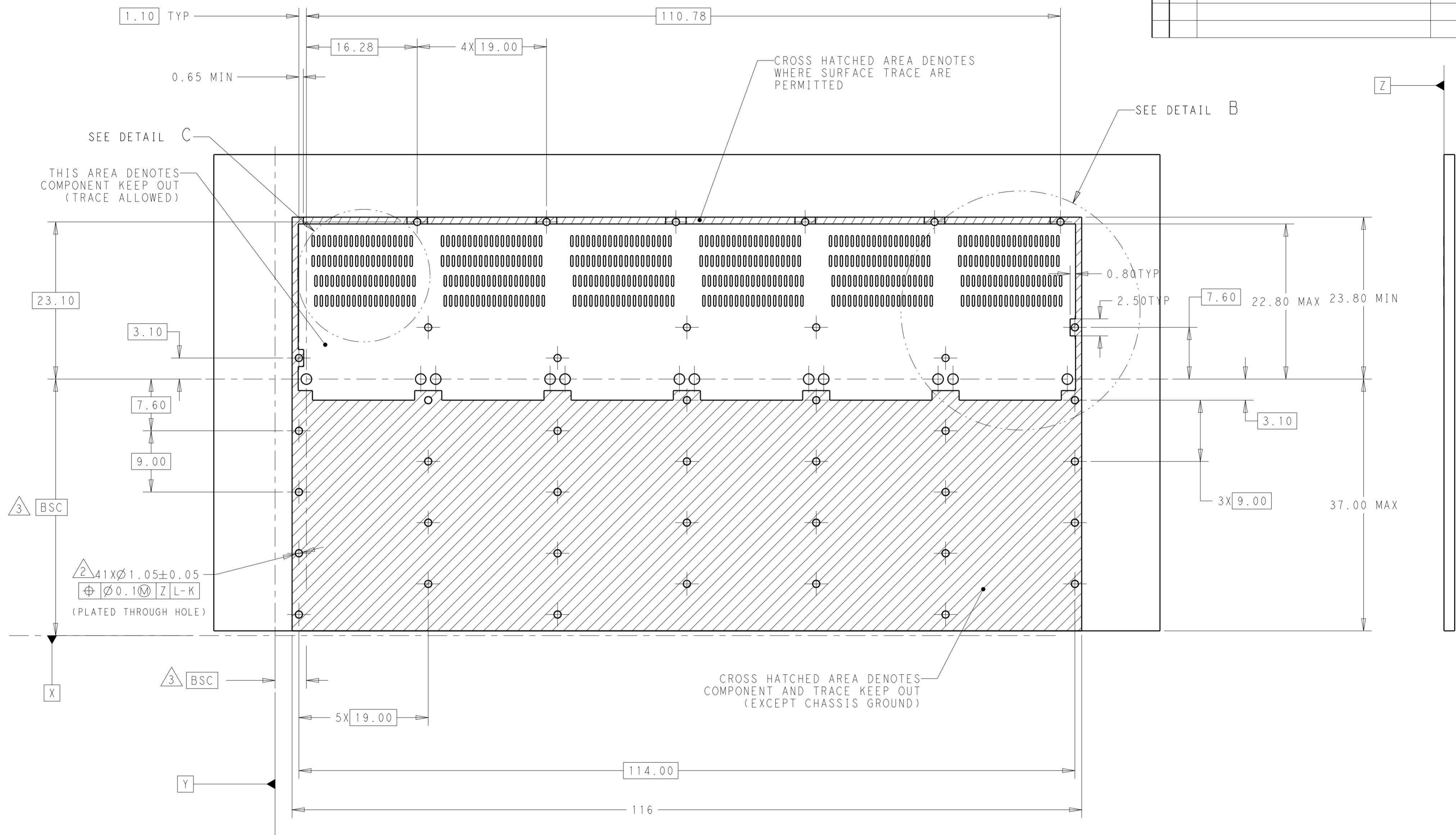
REVISIONS				
P	LTR	DESCRIPTION	DATE	APVD
-	-	SEE SHEET 1	-	-



THIS DRAWING IS A CONTROLLED DOCUMENT.		DWN 23AUG2018 STEPHEN HE	STE TE Connectivity	
		CHK 23AUG2018 SEAN HAN		
		APVD 23AUG2018 SEAN HAN	NAME CAGE ASSEMBLY WIHT HEAT SINK FOR GM QSFP-DD 1X6 ZIPPER	
DIMENSIONS:		TOLERANCES UNLESS OTHERWISE SPECIFIED:		SIZE A2
mm	0 PLC ±0.25	1 PLC ±0.25		CAGE CODE -
	2 PLC ±0.25	3 PLC ±		DRAWING NO C-2342891
	4 PLC ±	ANGLES ±1		RESTRICTED TO -
MATERIAL -	FINISH -	APPLICATION SPEC -		SCALE 1:1
		WEIGHT -		SHEET 2 OF 5
		CUSTOMER DRAWING		REV A

THIS DRAWING IS UNPUBLISHED. RELEASED FOR PUBLICATION 20
 BY - ALL RIGHTS RESERVED.

REVISIONS				
P	LTR	DESCRIPTION	DATE	APVD
-	-	SEE SHEET 1	-	-

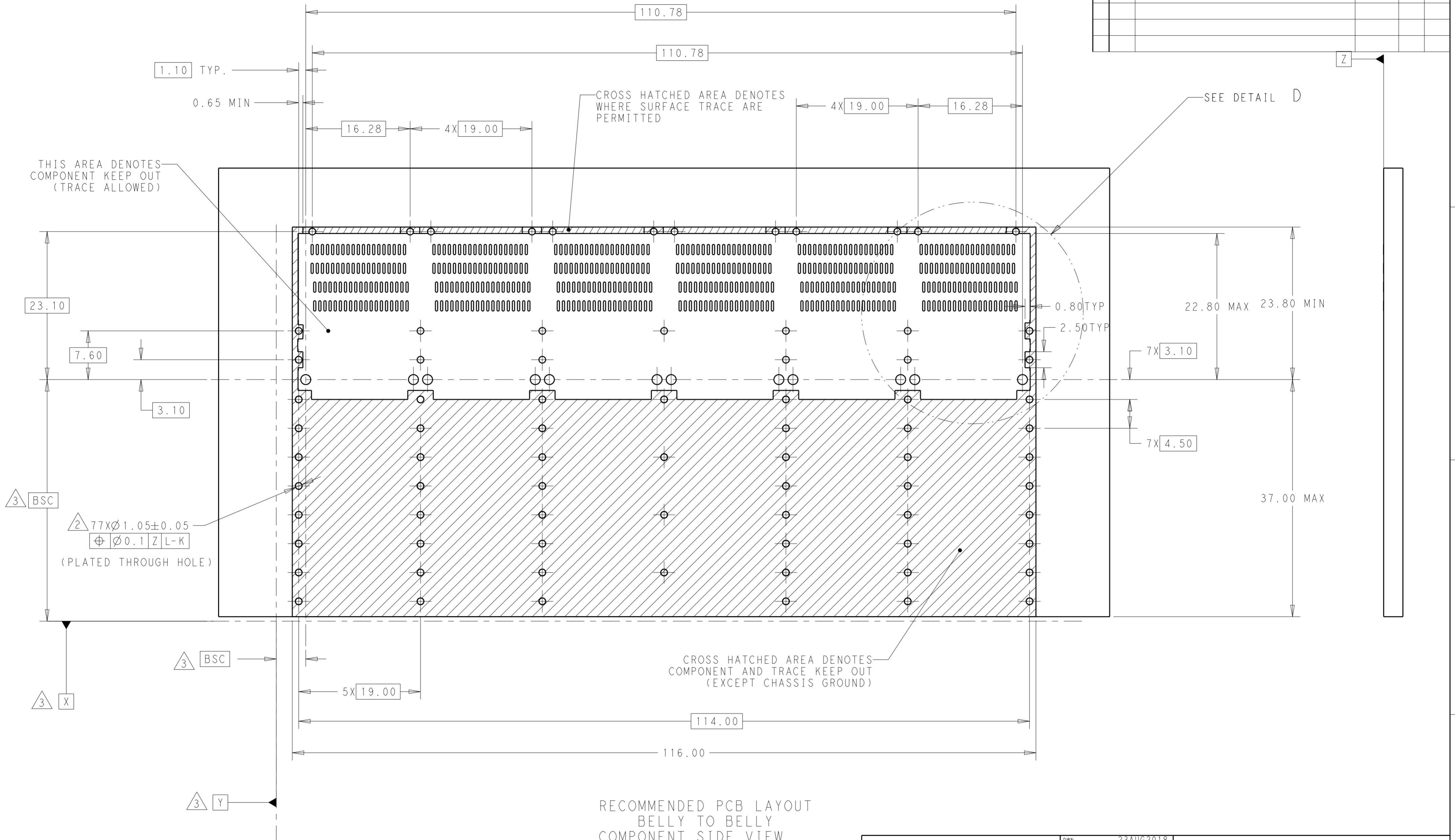


RECOMMENDED PCB LAYOUT
 SINGLE TYPE
 COMPONENT SIDE VIEW

THIS DRAWING IS A CONTROLLED DOCUMENT.		DWN STEPHEN HE 23AUG2018	TE Connectivity	
		CHK SEAN HAN 23AUG2018		
		APVD SEAN HAN 23AUG2018	NAME CAGE ASSEMBLY WIHT HEAT SINK FOR GM QSFP-DD 1X6 ZIPPER	
DIMENSIONS: mm		PRODUCT SPEC -		SIZE A2
TOLERANCES UNLESS OTHERWISE SPECIFIED: 0 PLC ±0.25 1 PLC ±0.25 2 PLC ±0.25 3 PLC ± 4 PLC ± ANGLES ±1 FINISH		APPLICATION SPEC -		CAGE CODE -
MATERIAL -		WEIGHT -		DRAWING NO C-2342891
		CUSTOMER DRAWING		RESTRICTED TO -
		SCALE 1:1		SHEET 3 OF 5 REV A

THIS DRAWING IS UNPUBLISHED. RELEASED FOR PUBLICATION 20
 © COPYRIGHT 20 BY - ALL RIGHTS RESERVED.

REVISIONS				
P	LTR	DESCRIPTION	DATE	APVD
-	-	SEE SHEET 1	-	-

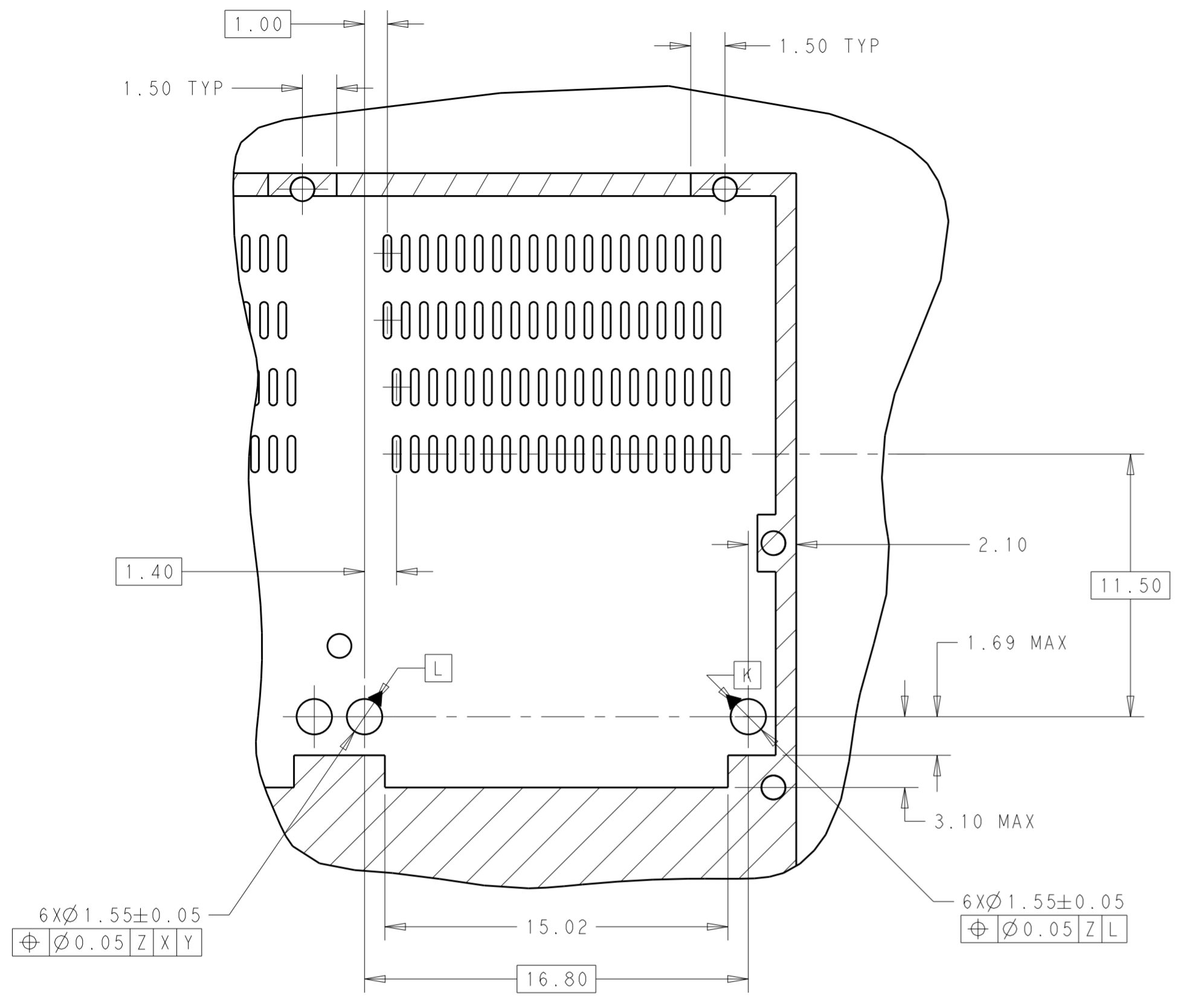


RECOMMENDED PCB LAYOUT
 BELLY TO BELLY
 COMPONENT SIDE VIEW

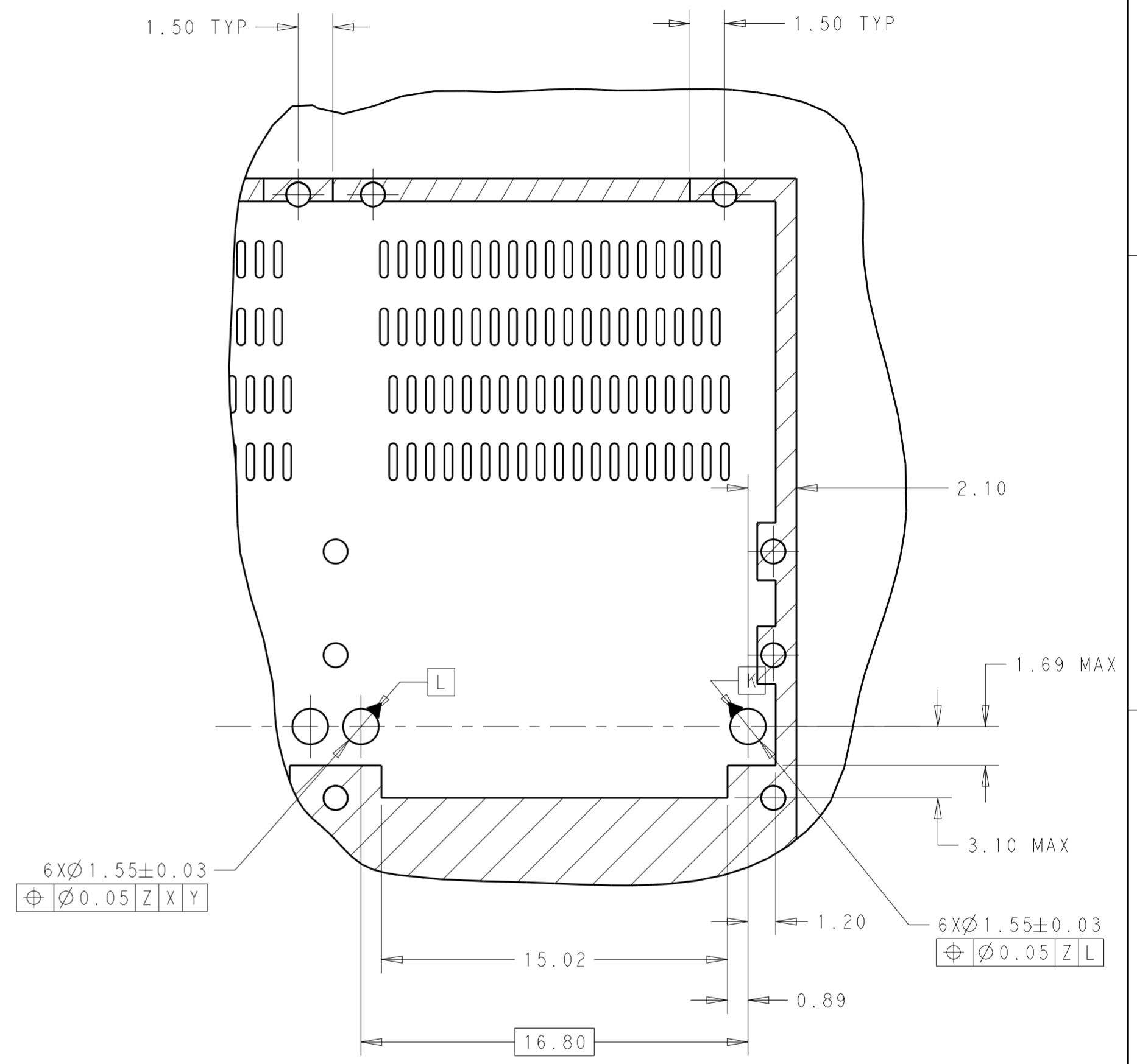
THIS DRAWING IS A CONTROLLED DOCUMENT.		DWN STEPHEN HE 23AUG2018	TE Connectivity	
		CHK SEAN HAN 23AUG2018		
		APVD SEAN HAN 23AUG2018	NAME CAGE ASSEMBLY WIHT HEAT SINK FOR GM QSFP-DD 1X6 ZIPPER	
DIMENSIONS: mm		TOLERANCES UNLESS OTHERWISE SPECIFIED:		PRODUCT SPEC -
		0 PLC ±0.25 1 PLC ±0.25 2 PLC ±0.25 3 PLC ± 4 PLC ± ANGLES ±1 FINISH -		APPLICATION SPEC -
MATERIAL -		WEIGHT -		SIZE A2
		CUSTOMER DRAWING		SCALE 1:1 SHEET 4 OF 5 REV A

THIS DRAWING IS UNPUBLISHED. RELEASED FOR PUBLICATION 20
 © COPYRIGHT 20 BY - ALL RIGHTS RESERVED.

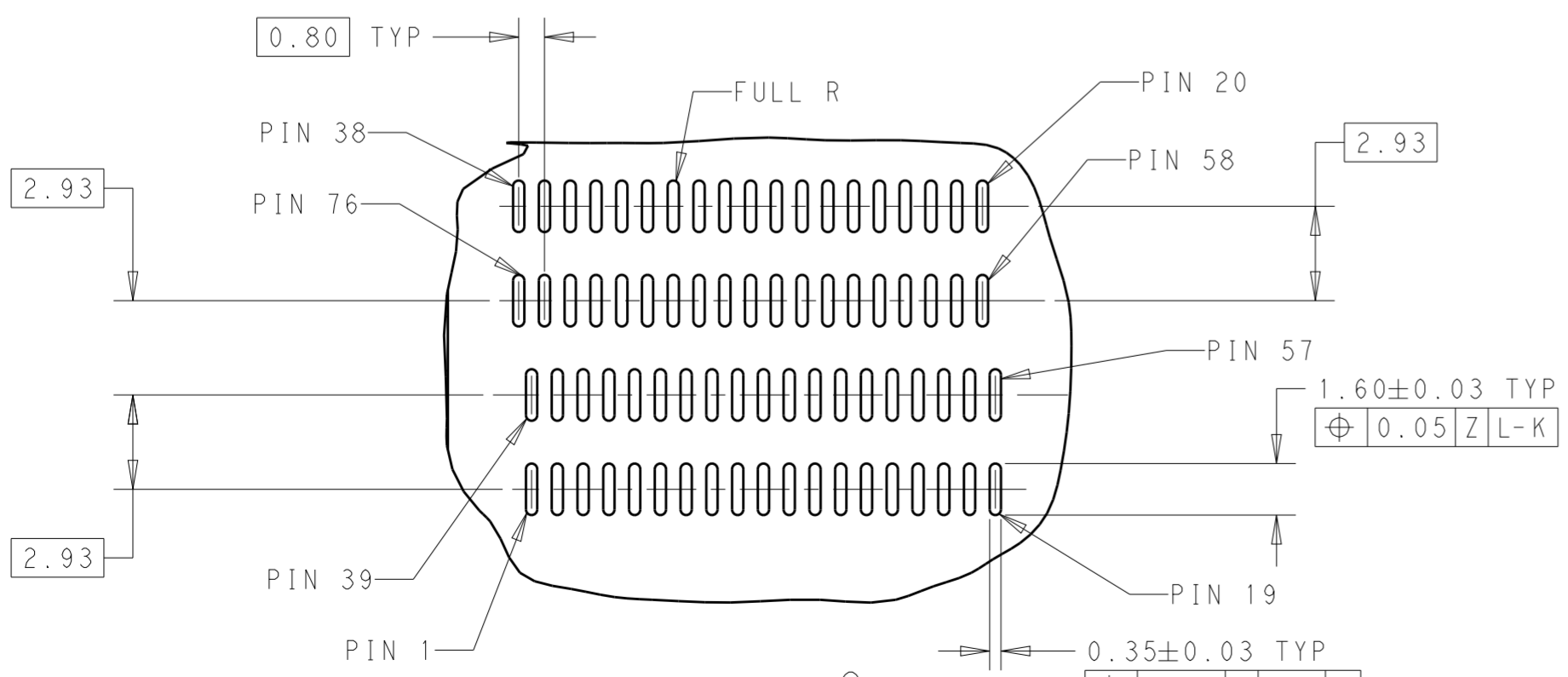
REVISIONS				
P	LTR	DESCRIPTION	DATE	APVD
-	-	SEE SHEET 1	-	-



DETAIL B
SCALE 5:1



DETAIL D
SCALE 5:1



DETAIL C
SCALE 5:1

THIS DRAWING IS A CONTROLLED DOCUMENT.		DWN STEPHEN HE	23AUG2018	 TE Connectivity	NAME CAGE ASSEMBLY WIHT HEAT SINK FOR GM QSFP-DD 1X6 ZIPPER
DIMENSIONS: mm		CHK SEAN HAN	23AUG2018		
TOLERANCES UNLESS OTHERWISE SPECIFIED:		APVD SEAN HAN	23AUG2018		
0 PLC ±0.25 1 PLC ±0.25 2 PLC ±0.25 3 PLC ± 4 PLC ± ANGLES ±1 FINISH -		PRODUCT SPEC -	APPLICATION SPEC -		
MATERIAL -		WEIGHT -		SIZE A2	CAGE CODE -
CUSTOMER DRAWING			SCALE 1:1	DRAWING NO C-2342891	RESTRICTED TO -
			SHEET 5 OF 5	REV A	

单击下面可查看定价，库存，交付和生命周期等信息

[>>TE Connectivity\(泰科\)](#)