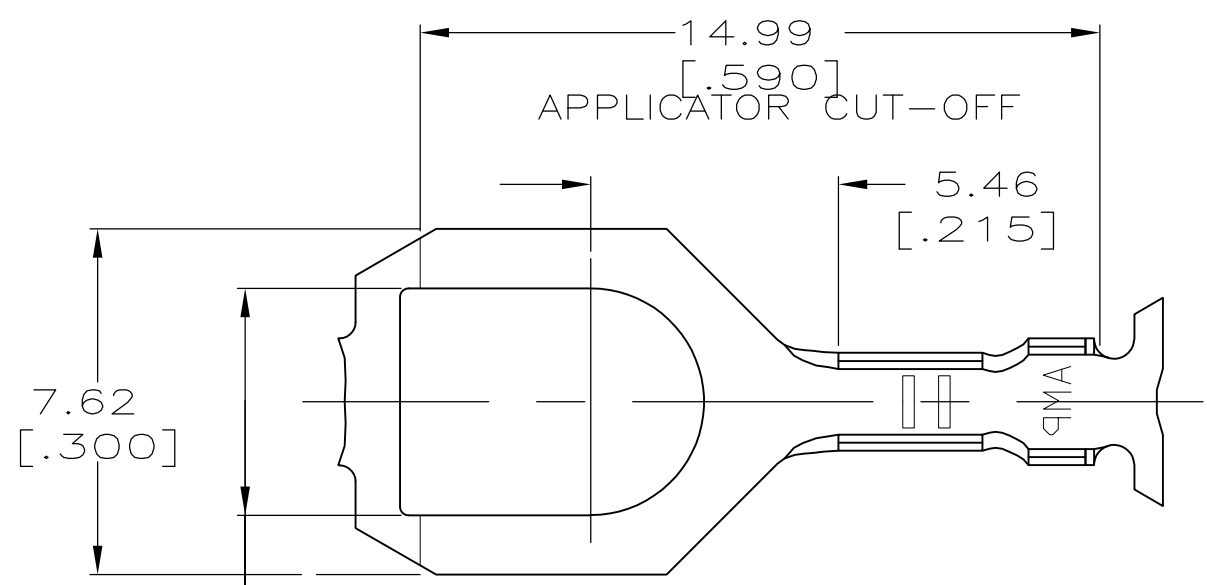
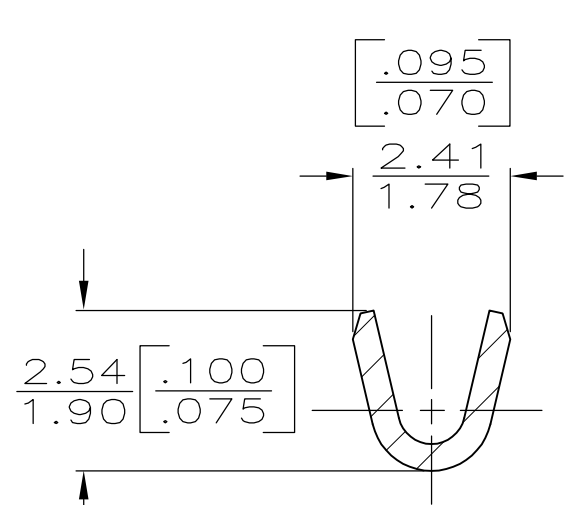
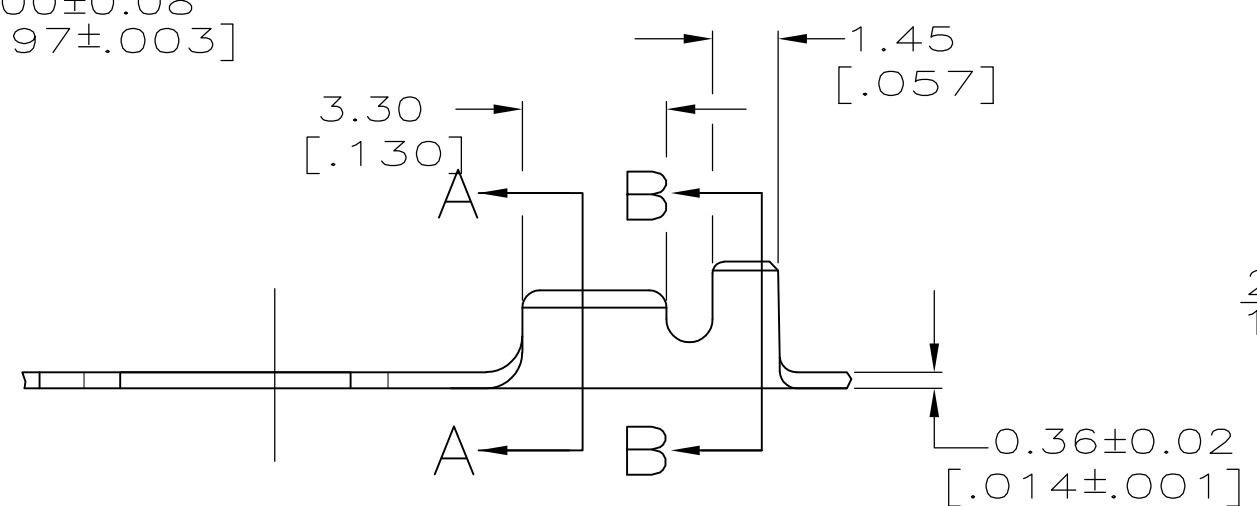


THIS DRAWING IS UNPUBLISHED. RELEASED FOR PUBLICATION
 © COPYRIGHT BY TYCO ELECTRONICS CORPORATION. ALL INTERNATIONAL RIGHTS RESERVED.

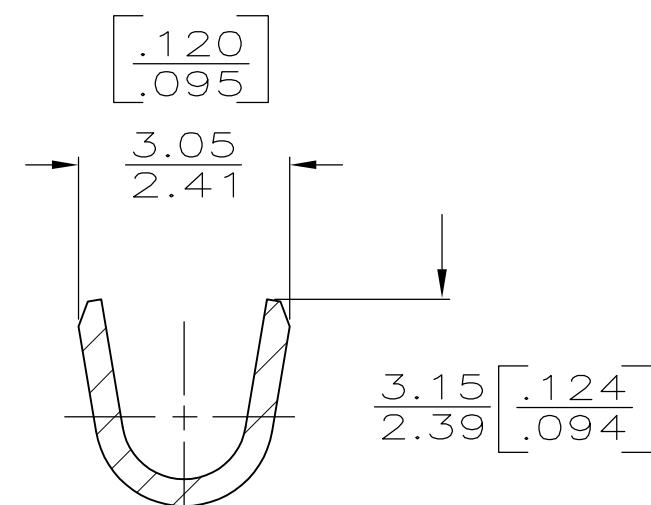
LOC	DIST	REVISIONS					
AF	50	P	LTR	DESCRIPTION	DATE	DWN	APVD
			F	REVISED PER ECR-10-006099	07JUL10	HMR	PD



1. CONTINUOUS STRIP ON REELS



SECTION A-A
SCALE 10:1



SECTION B-B
SCALE 10:1



1.22-1.98 [.048-.078]	0.2-0.6mm ² [24-20]	60501-1
INSULATION RANGE	WIRE RANGE	PART NO

0	2.29 [.090]	4.83 [.190]	F	1.57 [.062]	1.17 [.046]	0.5mm ² [20]
					1.09 [.043]	0.3mm ² [22]
					1.02 [.040]	0.2mm ² [24]
TYPE	WIDTH	STRIP LENGTH ±.015	TYPE	WIDTH	±.051 [±.002] HEIGHT	WIRE
INSUL BARREL CRIMP			WIRE BARREL CRIMP			

THIS DRAWING IS A CONTROLLED DOCUMENT.

DWN	P FORTNEY	1/29/90	Tyco Electronics Corporation Harrisburg, PA 17105-3608
CHK	MS FEHER	1/31/90	
APVD	G YETTER	2/2/90	
PRODUCT SPEC			
APPLICATION SPEC			NAME
			SPADE
WEIGHT	-		SIZE
CUSTOMER DRAWING			A3
			CAGE CODE
			00779
			DRAWING NO
			G-60501
			RESTRICTED TO
			-
			SCALE
			6:1
			SHEET
			1 OF 1
			REV
			F

单击下面可查看定价，库存，交付和生命周期等信息

[>>TE Connectivity\(泰科\)](#)