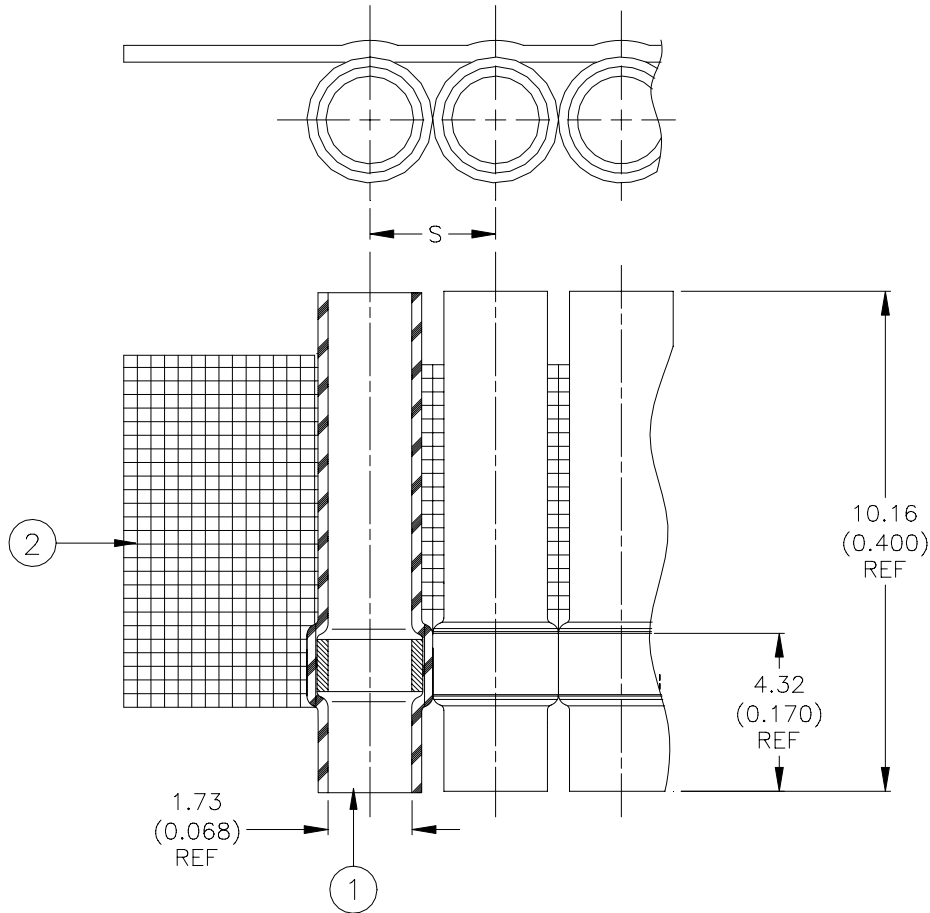


SPECIFICATION CONTROL DRAWING



| Product Name | Product Revision | S +0.51/-0.00 (S +0.020/-0.000) (center spacing dimension) | Quantity Per Assembly |
|--------------|------------------|--|-----------------------|
| D-704-0019 | C | 2.54 (0.100) | 750 |
| D-704-0024 | C | 3.81 (0.150) | 500 |

MATERIALS

1. SOLDER SLEEVE WIRE TERMINATOR: D-128-0014, Quantity Per Assembly: see table.
2. CARRIER STRIP: Adhesive Coated High Temperature Tape

APPLICATION

1. This assembly is designed to be used with a Raychem AS-4000 Wire Organization System on connectors with terminals on "S" (see table) center spacing. For usage parameters, see Raychem Devices Specification Control Drawing D-128-0014.
2. Wire terminators are to be inspected to Raychem Devices Specification Control Drawing D-128-0014.

| | | | | | | | |
|---|---|---|-----------------|---|------------|------------------|--|
| tyco / Electronics / Raychem 307 Constitution Drive Menlo Park, CA 94025, USA | | Wire and Harnessing Products | | TITLE: 2.54 (0.100), 3.81 (0.150) Centers SOLDER PAK ASSEMBLY FOR AS-4000 SLEEVE: D-128-0014 | | | |
| Unless otherwise specified dimensions are in millimeters. Inches dimensions are in between brackets. | | | | DOCUMENT NO.: D-704-0019/D-704-0024 | | | |
| TOLERANCES: 0.00 N/A 0.0 N/A 0 N/A | ANGLES: N/A ROUGHNESS IN MICRON | Tyco Electronics reserves the right to amend this drawing at any time. Users should evaluate the suitability of the product for their application. | | DCR NUMBER: D010012 | | REPLACES: N/A | |
| DRAWN BY: M. FORONDA | DATE: 08-Feb.-01 | PROD. REV. SEE TABLE | DOC ISSUE: 1 | SCALE: None | SIZE: A | SHEET: 1 of 1 | |

If this document is printed it becomes uncontrolled. Check for the latest revision.

单击下面可查看定价，库存，交付和生命周期等信息

[>>TE Connectivity\(泰科\)](#)