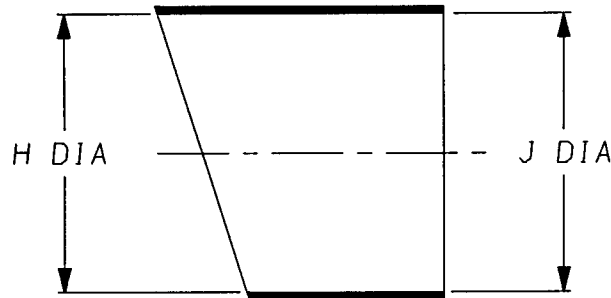
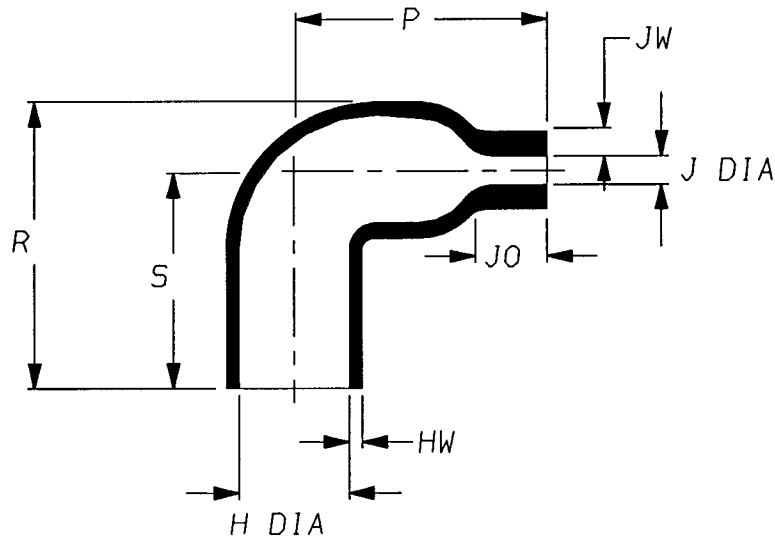


a) Part as supplied

222A111-*G06



b) Part after unrestricted recovery



DIMENSIONS in millimetres
(in inches, for reference)

Part No.	H		J		P	R	S	JO	JW	HW
	Min a	Max b	Min a	Max b	±10% b	±10% b	±10% b	±10% b	±20% b	±20% b
222A111-*G06	18 (0.71)	7.9 (0.31)	18 (0.71)	2.2 (0.09)	17 (0.67)	20 (0.79)	15.5 (0.61)	4.3 (0.17)	1.7 (0.07)	1.0 (0.04)
					#				#	

THIS VARIANT HAS A REDUCED "J" DIA
MODIFIED DIMENSIONS ARE SHOWN THUS:- #

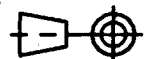
Copyright (!)

The copyright in this drawing is the property of Tyco Electronics UK Ltd. The drawing is issued on the condition that it is not copied, reproduced or disclosed to a third party, either in whole or in part without the prior written consent of Tyco Electronics UK Ltd.

Drawn A.LILLEY. Checked Issue 2 Date June 2002

Conforms to ISO Recommendations
3rd Angle Projection
Not to Scale

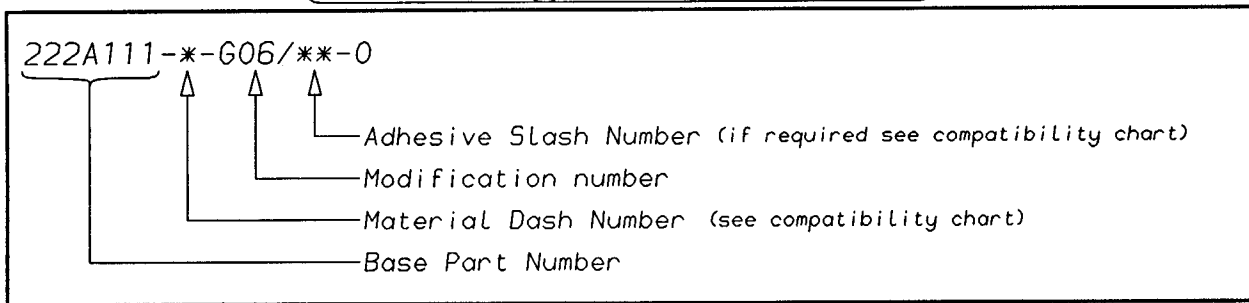
Approval Design MKTG. Q.A.



222A111-G06

Raychem		Specification Control Drawing	Part Number 222A111-*-G06	Issue 2
Iss.	Date	E.C.R. No.	Details of Change	
2	June 2002	CR02-HM-0013	Jo was 5.0	

Ordering Information



COMPATIBILITY CHART

Material Dash Number	Material Description	SPEC Number	Coating Slash Number
-3	POLYOLEFIN, SEMI-RIGID	RT-301, RK-6703	/42, /86
-4	POLYOLEFIN, FLEXIBLE	RT-1304, RK-6704	/42, /86
-25	ELASTOMER, FLUID RESISTANT	RT-1325, RK-6713	/86, /225
-130	POLYOLEFIN, COMMERCIAL FLEXIBLE	RW-2008	/42

NOTES

- ① As supplied dimensions are for uncoated parts, when coating is added entry diameters will reduce by 1.5mm Max.

Tyco electronics UK Ltd. Faraday Road, Swindon, Wiltshire, SN3 5HH England Telephone: (01793) 528171 Fax: 572516	Tyco electronics Corporation 300, Constitution Drive, Menlo Park, CA 94025 USA Telephone (650) 361-3860 Fax: (650) 361-5579
Cage Code K1010	Cage Code 06090

单击下面可查看定价，库存，交付和生命周期等信息

[>>TE Connectivity\(泰科\)](#)