

4

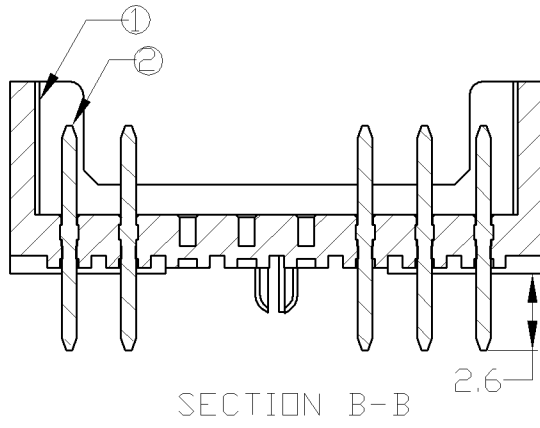
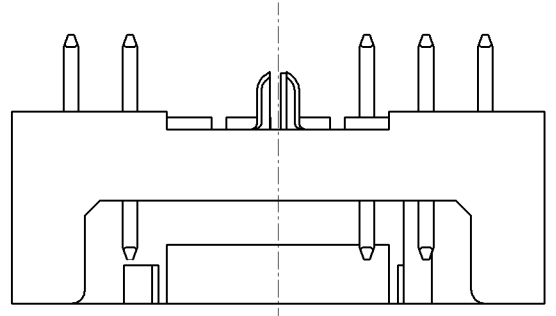
3

2

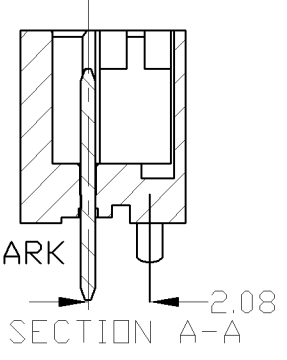
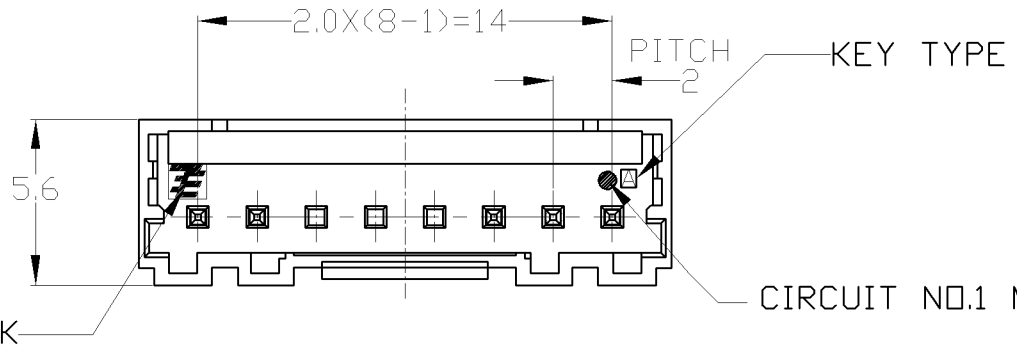
1

THIS DRAWING IS UNPUBLISHED. RELEASED FOR PUBLICATION
 © COPYRIGHT BY TYCO ELECTRONICS CORPORATION. ALL RIGHTS RESERVED.

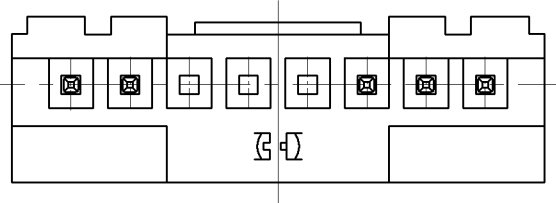
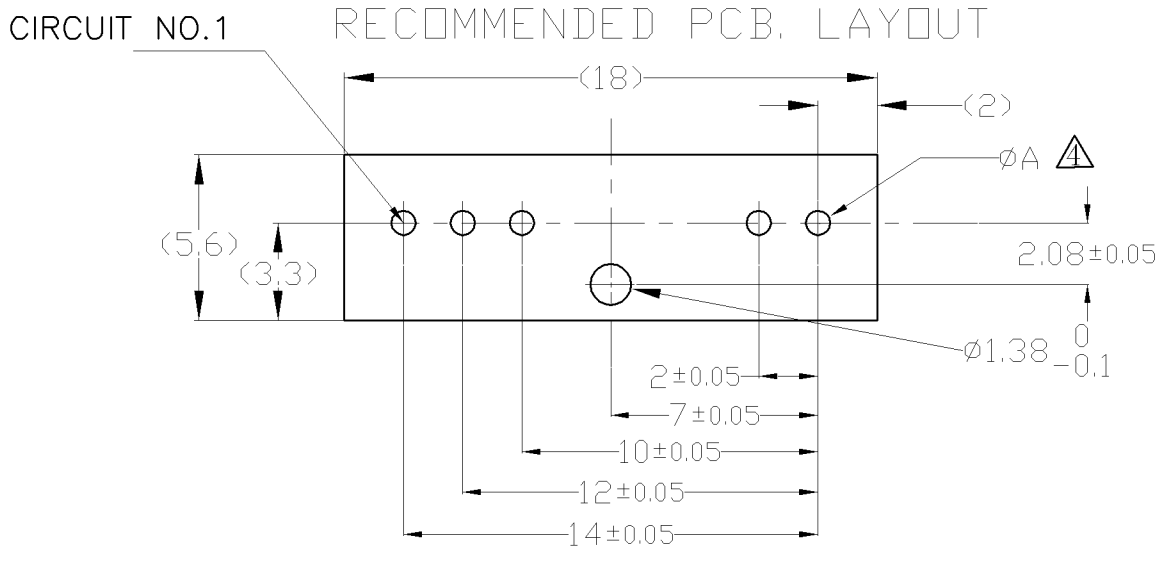
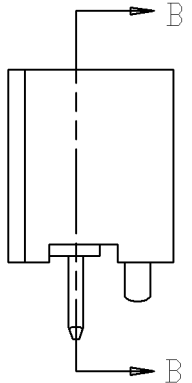
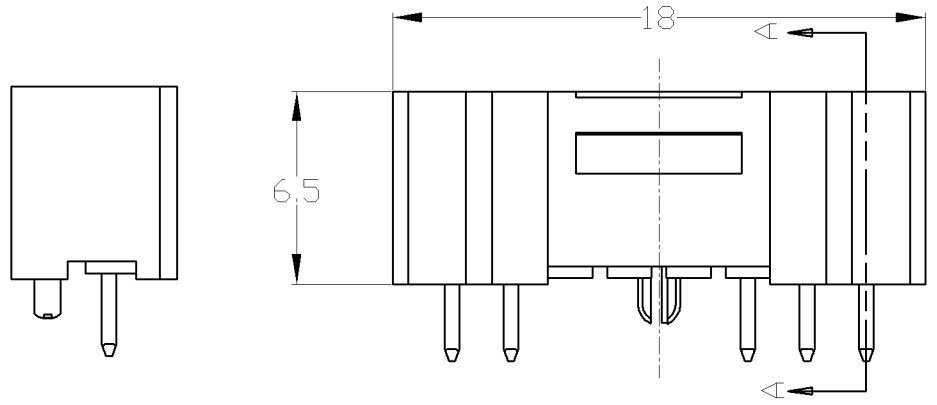
LOC	DIST	REVISIONS			
P	LTR	DESCRIPTION	DATE	DWN	APVD
ES	-	A	RELEASED	30OCT2008	JL JZ



NOTE:
 1. GENERAL TOLERANCE: $\pm 0.3, \pm 0.3^\circ$
 2. MATERIAL: 66NYLON GF (UL94V-0)
 3. MATING CONN.P/N: SEE TABLE
 ▲ APPLICABLE P.C.B HOLE DIA: ϕA
 PACHED HOLE: $\phi 0.75 + 0.1 / - 0$
 DRILLED HOLE: $\phi 0.90 \pm 0.05$



NO.	NAME	MATERIAL
①	HDR HOUSING	66NYLON GF (UL94V-0)
②	POST CONTACT	BRASS H06 PRE-Tin



THIS DRAWING IS A CONTROLLED DOCUMENT.		DWN JIMMY LIU 30OCT2008	tyco Electronics	Tyco Electronics Corporation Shanghai, China	
DIMENSIONS: mm		CHK HAPYE WU 30OCT2008		NAME	
TOLERANCES UNLESS OTHERWISE SPECIFIED:		APVD JULIAN ZHOU 30OCT2008	PRODUCT SPEC		
0 PLC ± -		APPLICATION SPEC	GIC 2.0 EV SERIES		
1 PLC ± -		108-106001	5/8P HEADER ASSEMBLY		
2 PLC ± -		114-5425	SIZE	CAGE CODE	DRAWING NO
3 PLC ± -		CUSTOMER DRAWING	A3	00779	C=1971200
4 PLC ± -		WEIGHT	RESTRICTED TO		-
ANGLES ± -		SCALE	SHEET		REV
FINISH		4:1	1 OF 1		A

单击下面可查看定价，库存，交付和生命周期等信息

[>>TE Connectivity\(泰科\)](#)