

THIS DRAWING IS UNPUBLISHED.

RELEASED FOR PUBLICATION

ALL RIGHTS RESERVED.

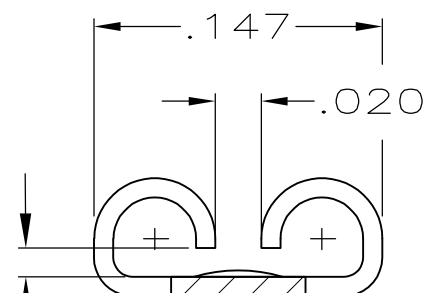
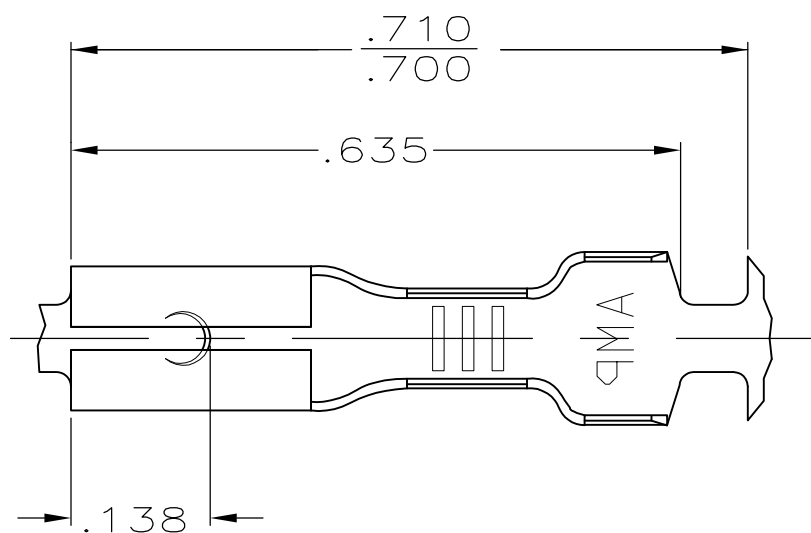
© COPYRIGHT - By -

LOC AF DIST 50

REVISIONS

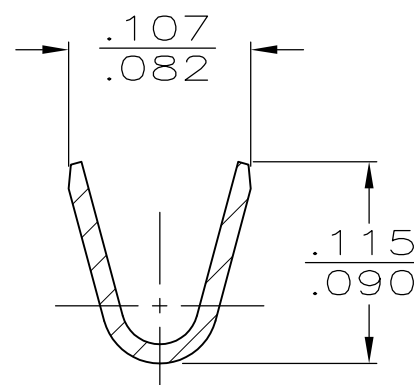
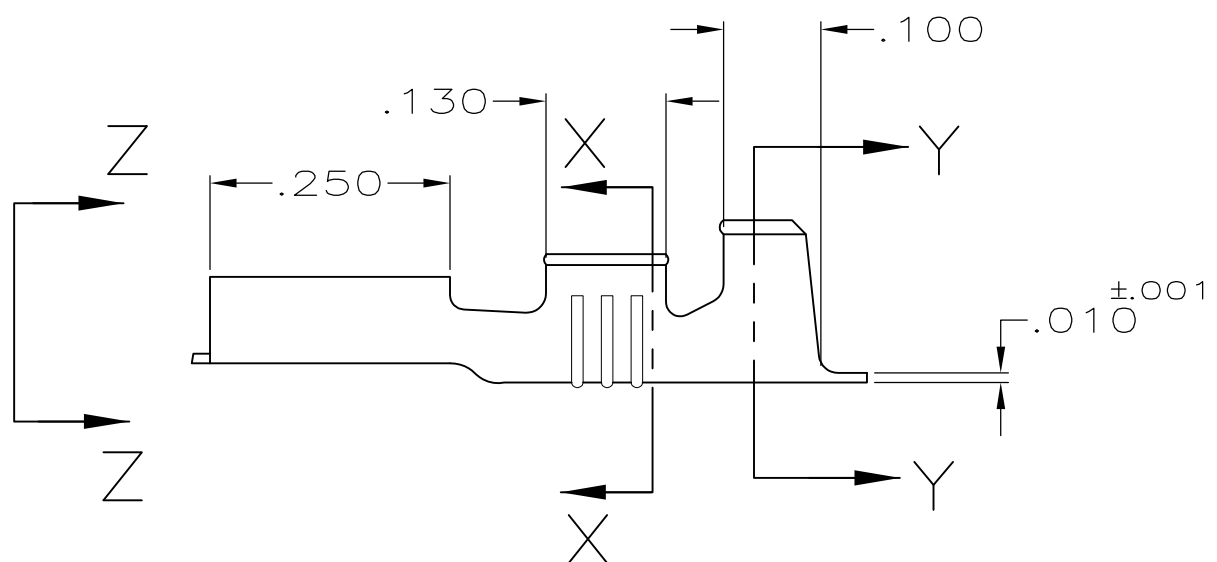
P	LTR	DESCRIPTION	DATE	DWN	APVD
	F	REVISED PER ECR-12-013459	27NOV2012	KH	PD

1 CONTINUOUS STRIP ON REELS

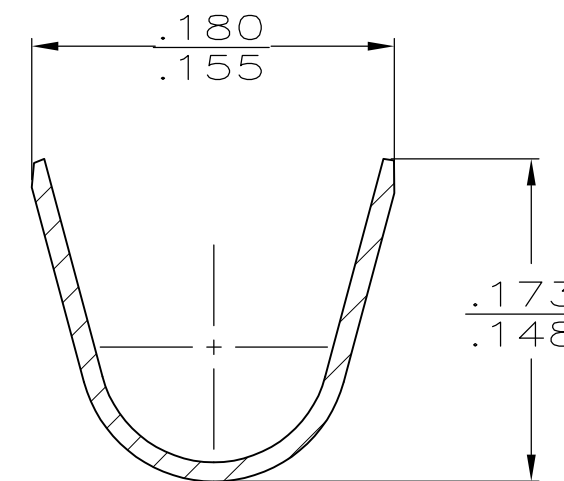


FITS .110 SERIES FASTON TABS

VIEW Z-Z SCALE 10:1



SECTION X-X SCALE 10:1



SECTION Y-Y SCALE 10:1

.090-.130	22-18 AWG	.016	62523-1
INSUL RANGE	WIRE SIZE	MATING TAB THK ±.001	PART NO

THIS DRAWING IS A CONTROLLED DOCUMENT.		DWN JR RUTH 12/20/90	STE TE Connectivity	
DIMENSIONS: INCHES		CHK MS FEHER 12/20/90		
TOLERANCES UNLESS OTHERWISE SPECIFIED:		APVD C MEYERS 12/21/90	NAME RECEPTACLE, FASTON,™ .110 SERIES	
0 PLC ± -		PRODUCT SPEC -	SIZE A3 CAGE CODE 00779 DRAWING NO C-62523 RESTRICTED TO -	
1 PLC ± -		APPLICATION SPEC -	SCALE 5:1 SHEET 1 OF 1 REV F	
2 PLC ± -		WEIGHT -		
3 PLC ± .015		CUSTOMER DRAWING		
4 PLC ± -				
ANGLES ± -				
MATERIAL BRASS	FINISH PRE-TIN			

单击下面可查看定价，库存，交付和生命周期等信息

[>>TE Connectivity\(泰科\)](#)