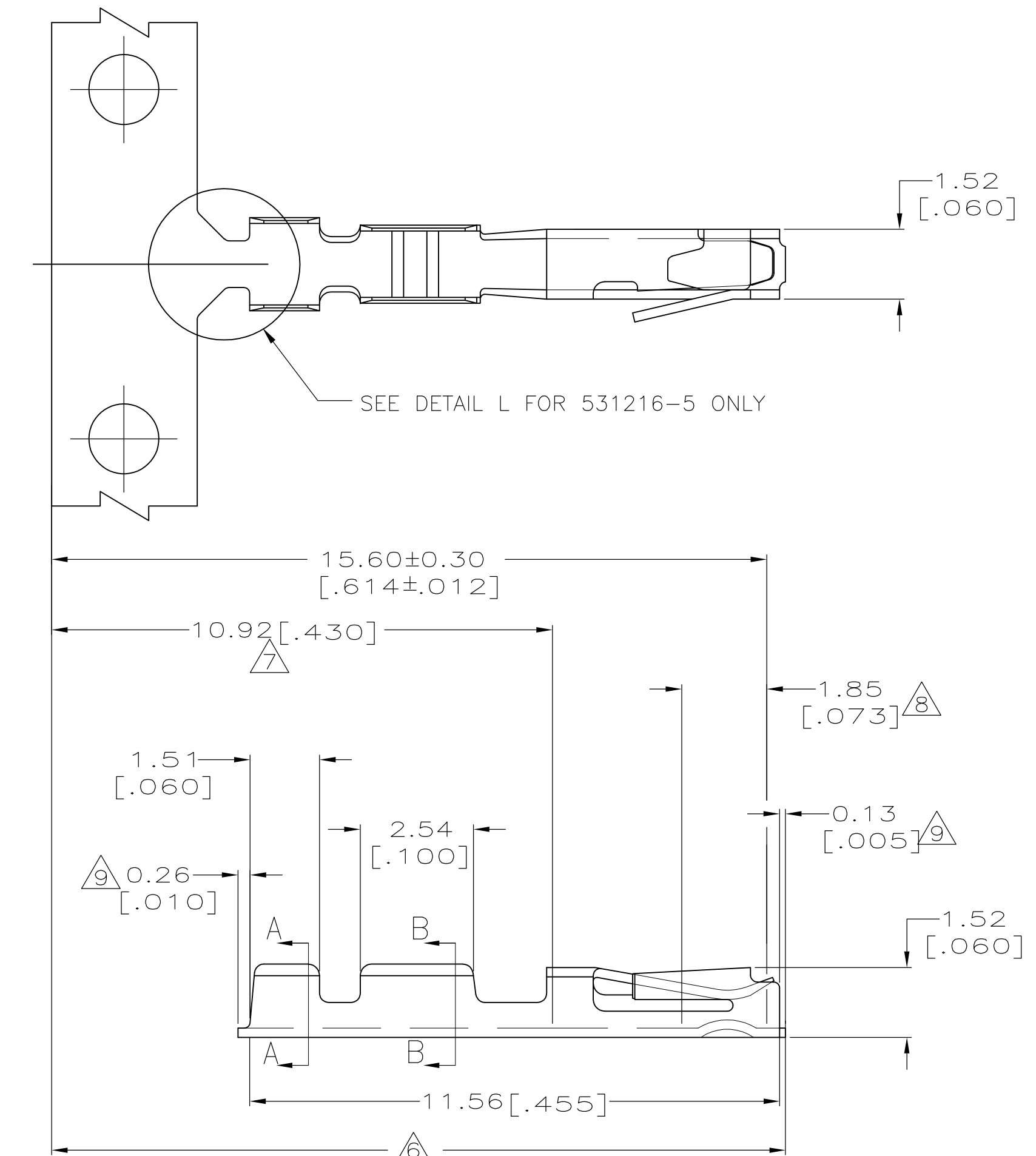


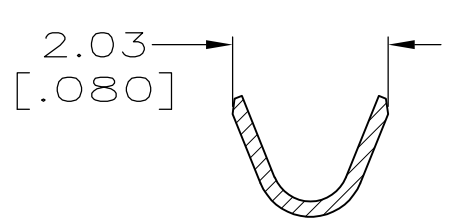
THIS DRAWING IS UNPUBLISHED. RELEASED FOR PUBLICATION  
 © COPYRIGHT BY TYCO ELECTRONICS CORPORATION. ALL RIGHTS RESERVED.

LOC		DIST		REVISIONS			
P	LTR	DESCRIPTION		DATE	DWN	APVD	
	A	REV PER EC 0S12-0647-04		10MAY05	JA	SF	
	A1	REVISED PER ECO-09-024927		10NOV09	KK	AEG	

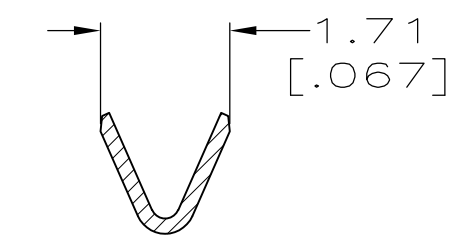


SEE DETAIL L FOR 531216-5 ONLY

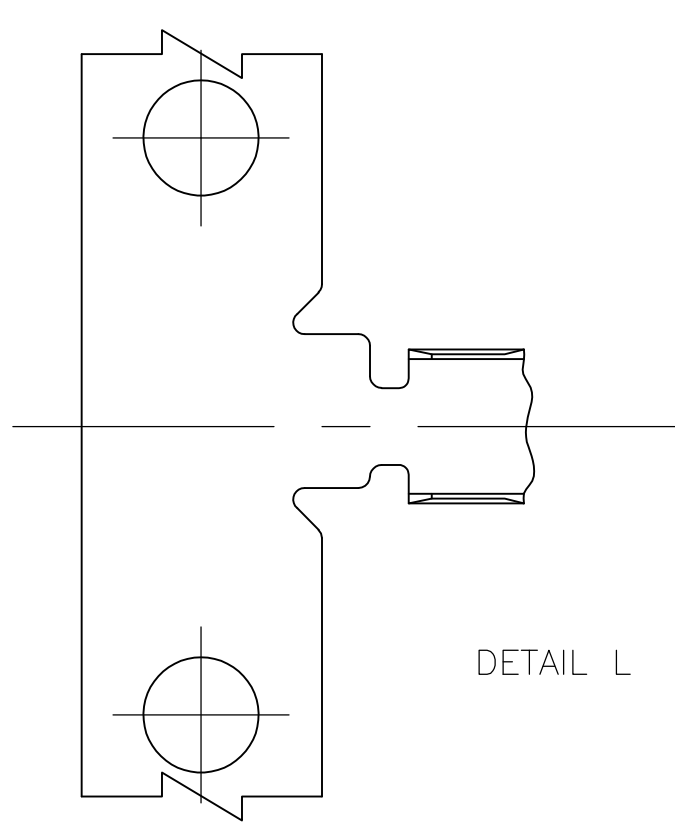
1. WIRE RANGE 22-26 AWG.
2. INSULATION RANGE 0.91-1.37 [.036-.054] DIA.
3. PREPLATED 0.00127 [.000050] MIN MATTE TIN IN ZONES I & II, 0.000762 [.000030] MIN GOLD OVER 0.000762 [.000030] MIN NICKEL INLAY IN ZONE III.
4. PREPLATED 0.00127 [.000050] MIN MATTE TIN IN ZONES I & II, 0.00127 [.000050] MIN GOLD OVER 0.000762 [.000030] MIN NICKEL INLAY IN ZONE III.
5. PHOSPHOR BRONZE.
6. ZONE I (OUTSIDE SURFACES).
7. ZONE II (INSIDE SURFACES).
8. ZONE III (INSIDE SURFACES).
9. MAXIMUM CUTOFF.
10. OBSOLETE PARTS: OBSOLETE CIS STREAMLINING PER D.RENAUD/D.SINISI



SECTION A-A



SECTION B-B



DETAIL L

10 OBSOLETE	4	5531216-6	5531216-5
	4	5531216-4	5531216-3
	3	5531216-2	5531216-1
		FINISH	LOOSE PIECE PART NO
			STRIP PART NO

THIS DRAWING IS A CONTROLLED DOCUMENT.		DWN	J. ALCORTA - DOCK5	10MAY05	Tyco Electronics Corporation Harrisburg, PA 17105-3608		
DIMENSIONS: mm [INCHES]		CHK	A. FRANTUM	10MAY05	NAME		
TOLERANCES UNLESS OTHERWISE SPECIFIED:		APVD	S. FLICKINGER	10MAY05	PRODUCT SPEC		
0 PLC ± -		APPLICATION SPEC		108-25031			
1 PLC ± -		WEIGHT		114-25021			
2 PLC ± -		SCALE		4:1			
3 PLC ± 0.13 [.005]		SHEET		1 OF 1			
4 PLC ± -		REV		A1			
ANGLES ± -		CUSTOMER DRAWING					
FINISH		MATERIAL		5531216-4			
		SIZE		A2			
		CAGE CODE		00779			
		DRAWING NO		C=5531216			
		RESTRICTED TO					

5531216

单击下面可查看定价，库存，交付和生命周期等信息

[>>TE Connectivity\(泰科\)](#)