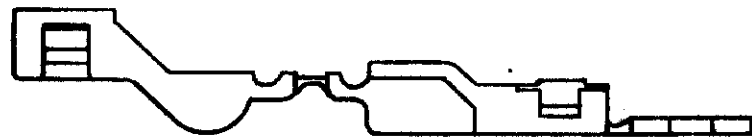
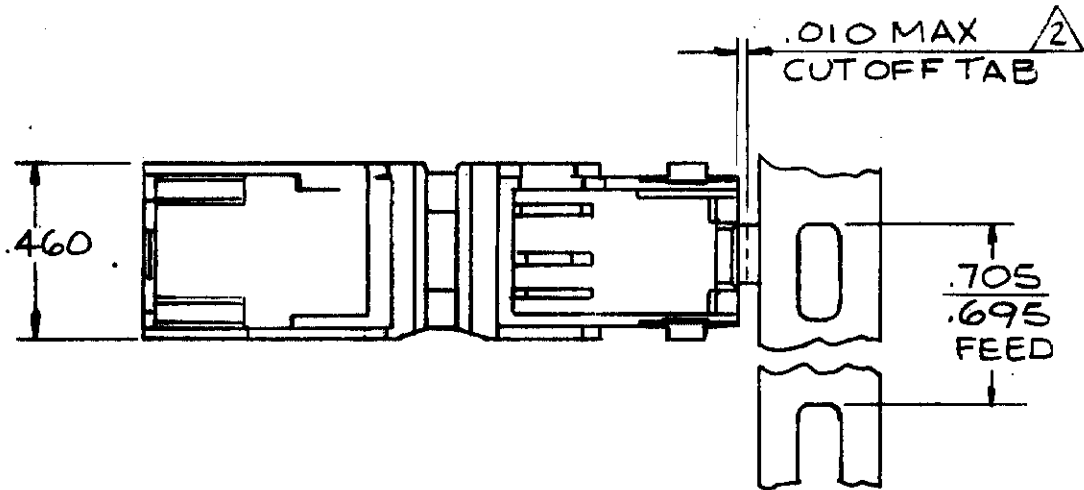
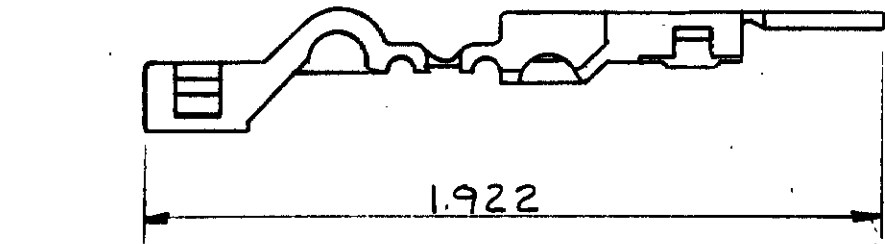
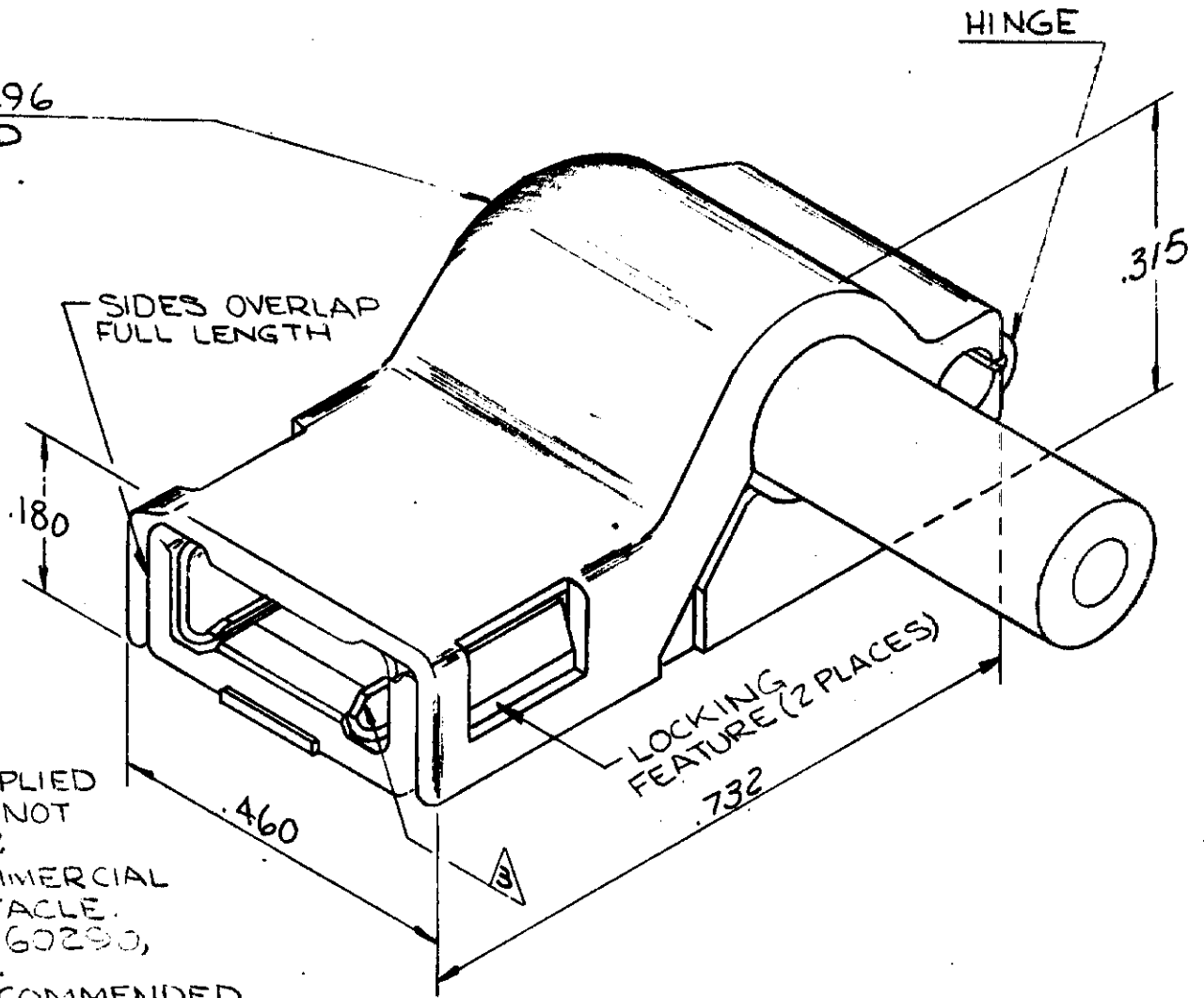


UNPUBLISHED COPY NOT TO BE REPRODUCED NOR PUBLISHED WITHOUT WRITTEN PERMISSION OF AMP INCORPORATED.



480296
POD



NOTE:
 1- CONTINUOUS STRIP, ON REELS.
 2- THIS PART TO BE SUPPLIED IN INDIVIDUAL FORM, NOT AS CONTINUOUS STRIP.
 3- "250" SERIES COMMERCIAL FLAG FASTON RECEPTACLE. TERMINAL NUMBERS 60290, 60314, 60455, 60923.
 4- SEE CP-14251 FOR RECOMMENDED TAB DETAILS FOR TERMINAL 60923, OTHER TERMINALS SEE CP-23587.

INSULATION RANGE	MATERIAL AND FINISH	PART NUMBER STRIP	COMBINATION NUMBER LOOSE PIECE
.140 MAX. OR (2) .110 MAX.	NYLON - NATURAL	1-480296-0	1-480306-1 (1-480296-0 LR)

DIMENSIONS IN INCHES. DO NOT SCALE PRINT.

PRINT DIST 50

REVISION RECORD		REVISION RECORD		REVISION RECORD		REVISION RECORD		REVISION RECORD		REVISION RECORD		REVISION RECORD		REVISION RECORD			
LTR	REVISION RECORD	DR	CHK	DATE	DESCRIPTION		DESCRIPTION		DESCRIPTION		DESCRIPTION		DESCRIPTION		DESCRIPTION		
6		5			4		3		2		1						
D REVISED		C RELEASED		B DELETED "EC" FROM NR. A-840		A REDRAWN		LTR		REVISION RECORD		DR		CHK		DATE	
A47		VK		CM		PK		A47		CM		PK		A47		CM	
3/1/66		3/1/66		3/1/66		3/1/66		3/1/66		3/1/66		3/1/66		3/1/66		3/1/66	
480296		480296		480296		480296		480296		480296		480296		480296		480296	
DWG NUMBER		DWG NUMBER		DWG NUMBER		DWG NUMBER		DWG NUMBER		DWG NUMBER		DWG NUMBER		DWG NUMBER		DWG NUMBER	
3-1-66		3-2-66		3-2-66		3-2-66		3-2-66		3-2-66		3-2-66		3-2-66		3-2-66	
C. MEYERS		C. MEYERS		C. MEYERS		C. MEYERS		C. MEYERS		C. MEYERS		C. MEYERS		C. MEYERS		C. MEYERS	
MATERIAL AND FINISH		MATERIAL AND FINISH		MATERIAL AND FINISH		MATERIAL AND FINISH		MATERIAL AND FINISH		MATERIAL AND FINISH		MATERIAL AND FINISH		MATERIAL AND FINISH		MATERIAL AND FINISH	
NYLON - NATURAL		NYLON - NATURAL		NYLON - NATURAL		NYLON - NATURAL		NYLON - NATURAL		NYLON - NATURAL		NYLON - NATURAL		NYLON - NATURAL		NYLON - NATURAL	
WIRE - RANGE - INSULATION		WIRE - RANGE - INSULATION		WIRE - RANGE - INSULATION		WIRE - RANGE - INSULATION		WIRE - RANGE - INSULATION		WIRE - RANGE - INSULATION		WIRE - RANGE - INSULATION		WIRE - RANGE - INSULATION		WIRE - RANGE - INSULATION	
TOLERANCE EXCEPT AS NOTED		TOLERANCE EXCEPT AS NOTED		TOLERANCE EXCEPT AS NOTED		TOLERANCE EXCEPT AS NOTED		TOLERANCE EXCEPT AS NOTED		TOLERANCE EXCEPT AS NOTED		TOLERANCE EXCEPT AS NOTED		TOLERANCE EXCEPT AS NOTED		TOLERANCE EXCEPT AS NOTED	
± .015		± .015		± .015		± .015		± .015		± .015		± .015		± .015		± .015	
SCALE		SCALE		SCALE		SCALE		SCALE		SCALE		SCALE		SCALE		SCALE	
2-1		2-1		2-1		2-1		2-1		2-1		2-1		2-1		2-1	
NAME		NAME		NAME		NAME		NAME		NAME		NAME		NAME		NAME	
AMP-PIP-POST INSULATION POD		AMP-PIP-POST INSULATION POD		AMP-PIP-POST INSULATION POD		AMP-PIP-POST INSULATION POD		AMP-PIP-POST INSULATION POD		AMP-PIP-POST INSULATION POD		AMP-PIP-POST INSULATION POD		AMP-PIP-POST INSULATION POD		AMP-PIP-POST INSULATION POD	
NO 480296		NO 480296		NO 480296		NO 480296		NO 480296		NO 480296		NO 480296		NO 480296		NO 480296	
AMP INCORPORATED HARRISBURG PENNA.		AMP INCORPORATED HARRISBURG PENNA.		AMP INCORPORATED HARRISBURG PENNA.		AMP INCORPORATED HARRISBURG PENNA.		AMP INCORPORATED HARRISBURG PENNA.		AMP INCORPORATED HARRISBURG PENNA.		AMP INCORPORATED HARRISBURG PENNA.		AMP INCORPORATED HARRISBURG PENNA.		AMP INCORPORATED HARRISBURG PENNA.	
CUSTOMER COPY REFERENCE ONLY		CUSTOMER COPY REFERENCE ONLY		CUSTOMER COPY REFERENCE ONLY		CUSTOMER COPY REFERENCE ONLY		CUSTOMER COPY REFERENCE ONLY		CUSTOMER COPY REFERENCE ONLY		CUSTOMER COPY REFERENCE ONLY		CUSTOMER COPY REFERENCE ONLY		CUSTOMER COPY REFERENCE ONLY	
©1966 BY AMP INCORPORATED. ALL RIGHTS RESERVED.		©1966 BY AMP INCORPORATED. ALL RIGHTS RESERVED.		©1966 BY AMP INCORPORATED. ALL RIGHTS RESERVED.		©1966 BY AMP INCORPORATED. ALL RIGHTS RESERVED.		©1966 BY AMP INCORPORATED. ALL RIGHTS RESERVED.		©1966 BY AMP INCORPORATED. ALL RIGHTS RESERVED.		©1966 BY AMP INCORPORATED. ALL RIGHTS RESERVED.		©1966 BY AMP INCORPORATED. ALL RIGHTS RESERVED.		©1966 BY AMP INCORPORATED. ALL RIGHTS RESERVED.	
AMP PRODUCTS COVERED BY PATENTS AND/OR PATENTS PENDING.		AMP PRODUCTS COVERED BY PATENTS AND/OR PATENTS PENDING.		AMP PRODUCTS COVERED BY PATENTS AND/OR PATENTS PENDING.		AMP PRODUCTS COVERED BY PATENTS AND/OR PATENTS PENDING.		AMP PRODUCTS COVERED BY PATENTS AND/OR PATENTS PENDING.		AMP PRODUCTS COVERED BY PATENTS AND/OR PATENTS PENDING.		AMP PRODUCTS COVERED BY PATENTS AND/OR PATENTS PENDING.		AMP PRODUCTS COVERED BY PATENTS AND/OR PATENTS PENDING.		AMP PRODUCTS COVERED BY PATENTS AND/OR PATENTS PENDING.	

单击下面可查看定价，库存，交付和生命周期等信息

[>>TE Connectivity\(泰科\)](#)