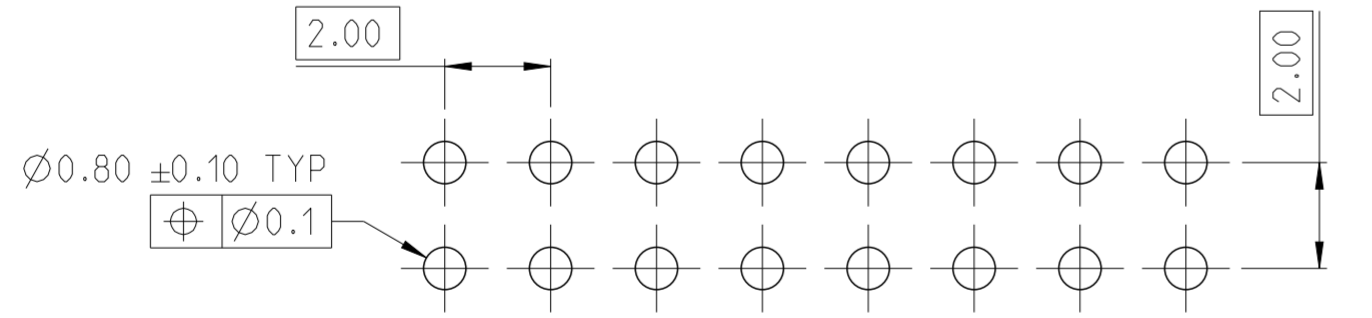
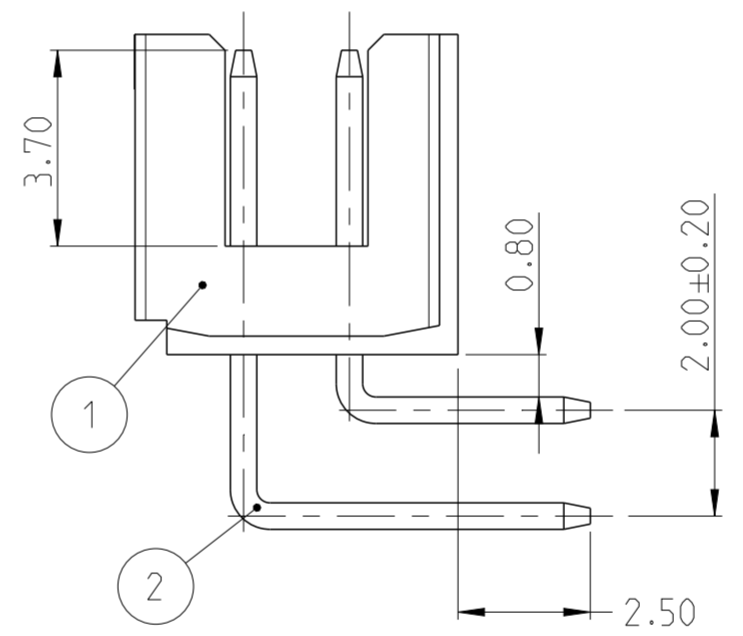
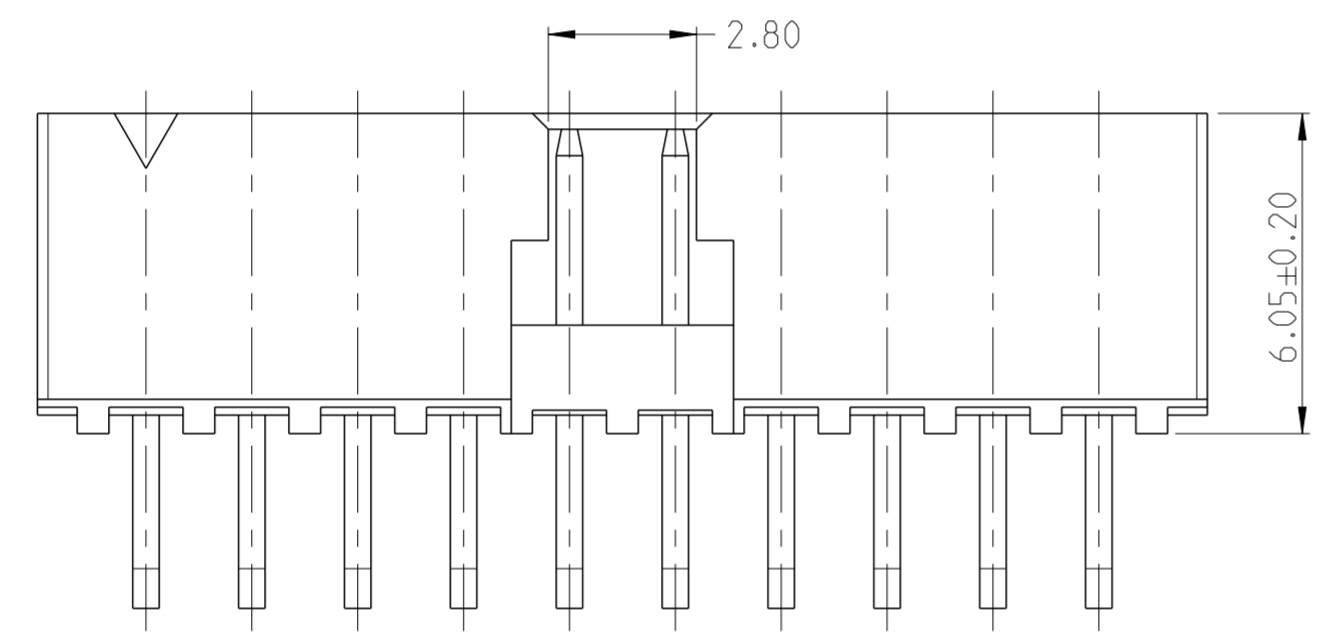
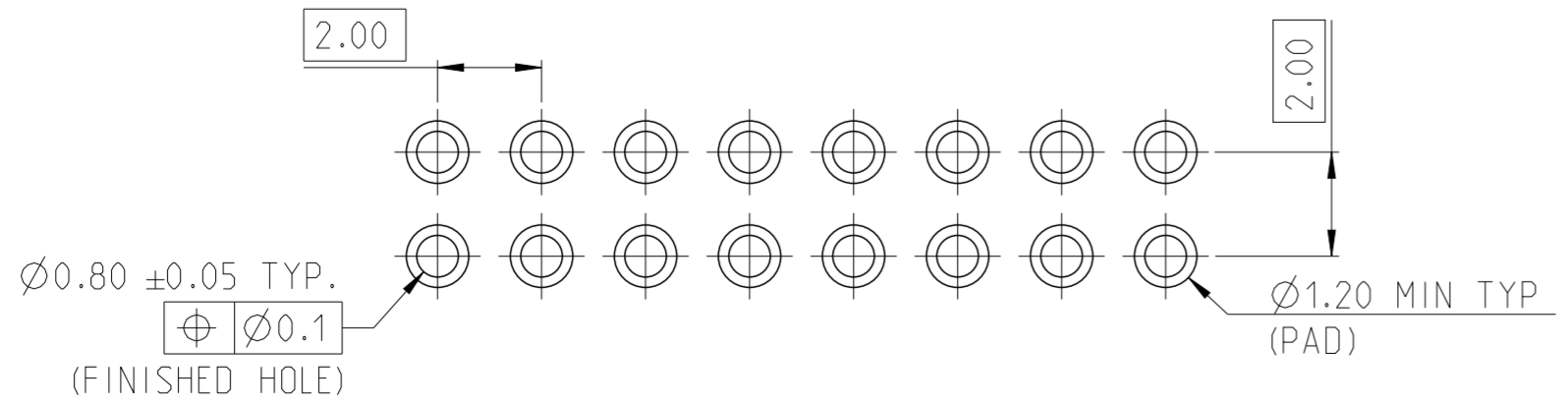


| REVISIONS | | | | | |
|-----------|-----|-----------------------|-----------|-----|------|
| P | LTR | DESCRIPTION | DATE | DWN | APVD |
| A | | RELEASE TO PRODUCTION | 09DEC2019 | AY | PS |
| A1 | | REMOVE POSITION 4 | 04JUN2020 | AY | PS |

NOTES:
 1. MATERIAL
 HOUSING : HIGH TEMPERATURE THERMOPLASTIC, UL94-V0; COLOR- BLACK
 POST : COPPER ALLOY
 FINISH :
 MATING SIDE: MIN. 0.76 µm GOLD OVER NICKEL UNDER PLATING.
 SOLDER SIDE: MIN. 2.0 µm TIN OVER NICKEL UNDER PLATING.
 2. PACKAGING: TAPE AND REEL
 △ TOLERANCE NOT CUMULATIVE.



RECOMMENDED PCB HOLE PATTERN FOR THROUGH HOLE WAVE



RECOMMENDED PCB HOLE PATTERN FOR THROUGH HOLE REFLOW /PIN-IN-PASTE

2-2842272-0 AS SHOWN

| | | | |
|---------|---------|------|-------------|
| 52.10 | 51.40 | 50 | 5-2842272-0 |
| 50.10 | 49.40 | 48 | 4-2842272-8 |
| 48.10 | 47.40 | 46 | 4-2842272-6 |
| 46.10 | 45.40 | 44 | 4-2842272-4 |
| 44.10 | 43.40 | 42 | 4-2842272-2 |
| 42.10 | 41.40 | 40 | 4-2842272-0 |
| 40.10 | 39.40 | 38 | 3-2842272-8 |
| 38.10 | 37.40 | 36 | 3-2842272-6 |
| 36.10 | 35.40 | 34 | 3-2842272-4 |
| 34.10 | 33.40 | 32 | 3-2842272-2 |
| 32.10 | 31.40 | 30 | 3-2842272-0 |
| 30.10 | 29.40 | 28 | 2-2842272-8 |
| 28.10 | 27.40 | 26 | 2-2842272-6 |
| 26.10 | 25.40 | 24 | 2-2842272-4 |
| 24.10 | 23.40 | 22 | 2-2842272-2 |
| 22.10 | 21.40 | 20 | 2-2842272-0 |
| 20.10 | 19.40 | 18 | 1-2842272-8 |
| 18.10 | 17.40 | 16 | 1-2842272-6 |
| 16.10 | 15.40 | 14 | 1-2842272-4 |
| 14.10 | 13.40 | 12 | 1-2842272-2 |
| 12.10 | 11.40 | 10 | 1-2842272-0 |
| 10.10 | 9.40 | 8 | 2842272-8 |
| 8.10 | 7.40 | 6 | 2842272-6 |
| DIM "F" | DIM "E" | POS. | TE PN. |

| | |
|-------------|----------|
| CONTACT PIN | 2 |
| HOUSING | 1 |
| DESCRIPTION | ITEM NO. |

| | | |
|--|--|-----------------------------|
| THIS DRAWING IS A CONTROLLED DOCUMENT. | | DWN ANKIT YADAV 02DEC2019 |
| | | CHK KARTHIK JK 04DEC2019 |
| | | APVD PRASHANTH S. 05DEC2019 |
| DIMENSIONS: mm | | PRODUCT SPEC 108-64040 |
| TOLERANCES UNLESS OTHERWISE SPECIFIED: | | APPLICATION SPEC 114-32259 |
| 0 PLC ± - | | WEIGHT - |
| 1 PLC ± - | | CUSTOMER DRAWING |
| 2 PLC ± 0.25 | | SCALE 7:1 |
| 3 PLC ± - | | SHEET 1 OF 1 |
| 4 PLC ± - | | REV A1 |
| ANGLES ± 2° | | |
| FINISH SEE NOTES | | |

| | | | |
|--|-----------------|---------------------|-----------------|
| STE TE Connectivity | | | |
| NAME AMPMODU 2mm SHROUDED HEADER, DUAL ROW, RIGHT ANGLE, 0.76 Au, TR | | | |
| SIZE A2 | CAGE CODE 00779 | DRAWING NO. 2842272 | RESTRICTED TO - |

单击下面可查看定价，库存，交付和生命周期等信息

[>>TE Connectivity\(泰科\)](#)