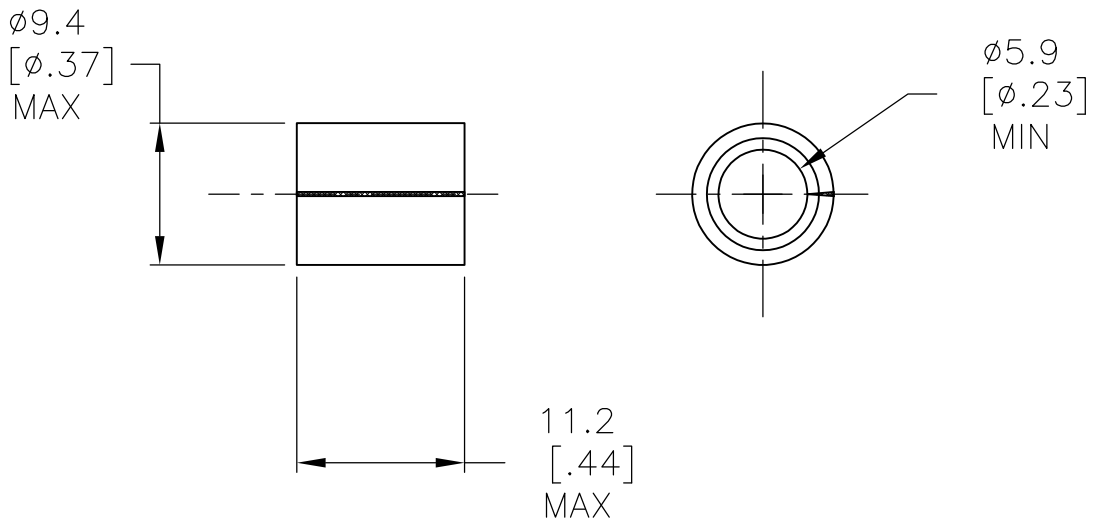


| REVISIONS | | | | | |
|-----------|-----|---------------------------|-----------|-----|------|
| P | LTR | DESCRIPTION | DATE | DWN | APVD |
| | A | REVISED PER ECO-16-001437 | 02FEB2016 | NK | DR |



REFERENCE : 136311-2

RELEASED FOR PUBLICATION

ALL RIGHTS RESERVED.

THIS DRAWING IS UNPUBLISHED.

© COPYRIGHT - By -

| | | | | | | | |
|--|--------------|-----------|------------------|--------|-----------|------------|---|
| DIMENSIONS: mm [INCHES] | DWN | 02FEB2016 | MATERIAL | COPPER | FINISH | NICKEL | |
| | CHK | 02FEB2016 | TE Connectivity | | | | |
| TOLERANCES UNLESS OTHERWISE SPECIFIED: 0 PLC ± - 1 PLC ± - 2 PLC ± 0.3[.012] 3 PLC ± - 4 PLC ± - ANGLES ± 5° | APVD | 02FEB2016 | | | | | NAME SOLISTRAND STRATO-THERM SPLICE 6 AWG |
| | PRODUCT SPEC | - | | SIZE | CAGE CODE | DRAWING NO | RESTRICTED TO |
| APPLICATION SPEC | - | | A4 | 00779 | C-136311 | - | |
| WEIGHT | - | | CUSTOMER DRAWING | | | SCALE | 2:1 |
| | | | | | | SHEET | 1 OF 1 |
| | | | | | | REV | A |

单击下面可查看定价，库存，交付和生命周期等信息

[>>TE Connectivity\(泰科\)](#)