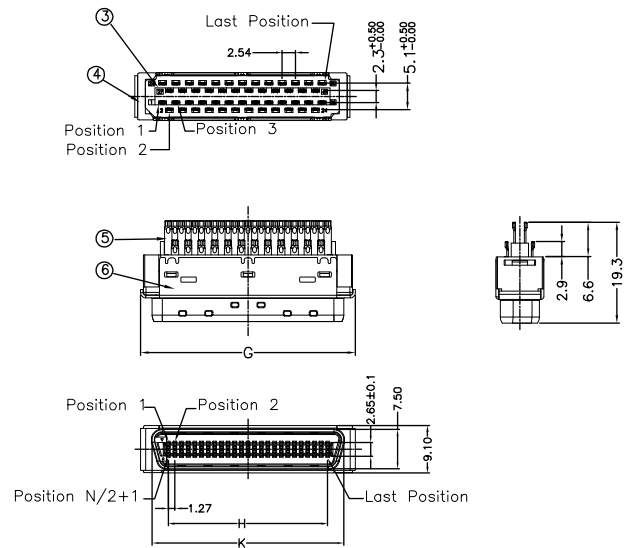
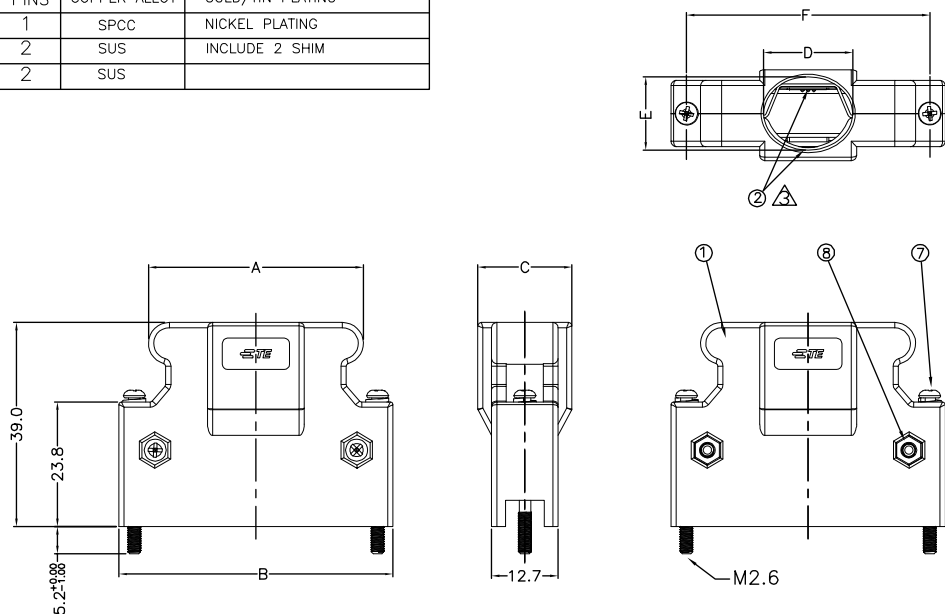


THIS DRAWING IS UNPUBLISHED.		RELEASED FOR PUBLICATION		
© COPYRIGHT - By -		ALL RIGHTS RESERVED.		
ITEM	PART NAME	Q'TY/EA	MATERIALS	NOTE
①	PLASTIC SHELL	2	ABS	
②	CLAMP	2	SPCC	NICKEL/TIN PLATING
③	COVER	1	PBT	UL 94V-0
④	HOUSING	1	PBT	UL 94V-0
⑤	CONTACT	PINS	COPPER ALLOY	GOLD/TIN PLATING
⑥	SHELL	1	SPCC	NICKEL PLATING
⑦	SCREW	2	SUS	INCLUDE 2 SHIM
⑧	SCREW NUT	2	SUS	

LOC	DIST	REVISIONS			
P	LTR	DESCRIPTION	DATE	DWN	APVD
	A	NEW RELEASE	30JUL2013	HW	XX
	A1	REVISED	13NOV2013	HW	XX
	A2	ECR-15-004572	25MAR2015	FY	XX
	A3	ECR-15-008843	08JUN2015	FY	XX
	A4	ECR-17-005391	18JUL2017	L.Z	C.W



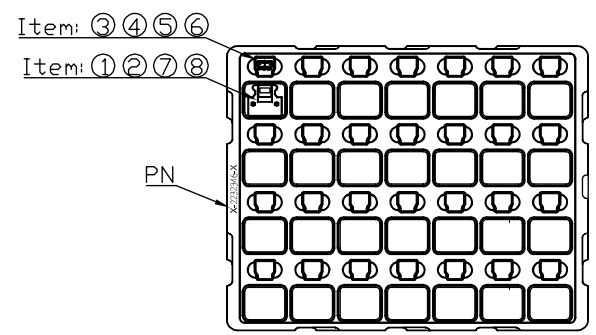
11.4~13.1	24~30	36.66	30.48	41.1	46.5	14.0	17.0	18.0	52.4	41.1	50	30u"	5-2232346-2
11.4~13.1	24~30	36.66	30.48	41.1	46.5	14.0	17.0	18.0	52.4	41.1	50	10u"	5-2232346-1
11.4~13.1	24~30	27.77	21.59	32.2	37.6	14.0	17.0	18.0	43.5	32.2	36	30u"	4-2232346-2
11.4~13.1	24~30	27.77	21.59	32.2	37.6	14.0	17.0	18.0	43.5	32.2	36	10u"	4-2232346-1
8.7~10.0	24~30	21.42	15.24	25.9	31.3	10.0	12.0	14.0	37.2	25.9	26	30u"	3-2232346-2
8.7~10.0	24~30	21.42	15.24	25.9	31.3	10.0	12.0	14.0	37.2	25.9	26	10u"	3-2232346-1
8.7~10.0	24~30	17.61	11.43	22.1	27.5	10.0	12.0	14.0	33.4	22.1	20	30u"	2-2232346-2
8.7~10.0	24~30	17.61	11.43	22.1	27.5	10.0	12.0	14.0	33.4	22.1	20	10u"	2-2232346-1
5.7~7.0	24~30	13.80	7.62	18.2	23.6	7.0	8.5	12.7	29.5	18.2	14	30u"	1-2232346-2
5.7~7.0	24~30	13.80	7.62	18.2	23.6	7.0	8.5	12.7	29.5	18.2	14	10u"	1-2232346-1
CABLE OD	WIRE AWG	DIM. K	DIM. H	DIM. G	DIM. F	DIM. E	DIM. D	DIM. C	DIM. B	DIM. A	NO. OF POS.	Au PLAT	TE NO.

NOTE:  
 1. MATERIAL:  
 1.1 HOUSING:GLASS REINFORCED POLYESTER(PBT) UL94-V0,BLACK  
 1.2 CONTACT:PHOSPHOR BRONZE  
 1.3 SHROUD:SPCC  
 2. FINISH  
 2.1 CONTACT  
 CONTACT AREA PLATED:GOLD 10U"[0.254um] OR 30U"[0.76um]  
 SOLDER AREA PLATED:TIN 80U"[2um] MIN. LEAD FREE  
 OVER NICKEL 50U"[1.27um] UNDER PLATING OVERALL  
 2.2 SHELL  
 NICKEL 200U"[5.08um] MIN. OVER COPPER 200U"[5.08um] MIN.  
 △ SOLDER WIRE GAUGE AND CABLE OD REFER TABLE

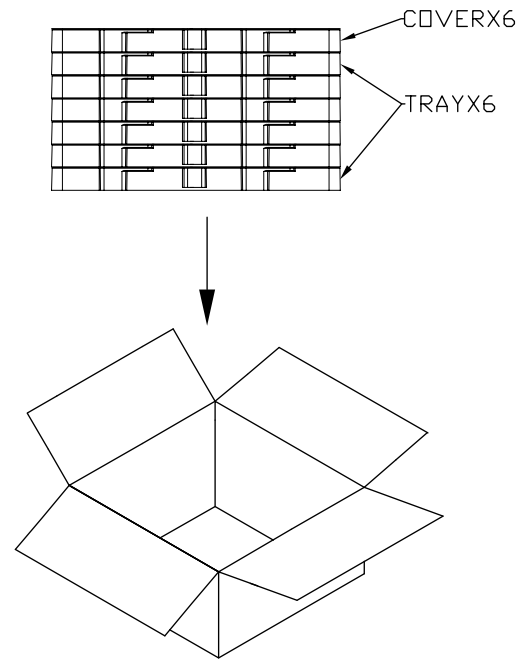
THIS DRAWING IS A CONTROLLED DOCUMENT.		DWN FENCER YU 08JUN2015	TE Connectivity	
		CHK KOBBOY ZHAO 08JUN2015		
DIMENSIONS: mm		APVD XIANG XU 08JUN2015	NAME SCSI .05 PLUG SCREW TYPE LOCK	
TOLERANCES UNLESS OTHERWISE SPECIFIED: 0 PLC ± 0.35 1 PLC ± 0.30 2 PLC ± 0.25 3 PLC ± - 4 PLC ± - ANGLES ± 2		PRODUCT SPEC 108-106126		
MATERIAL		APPLICATION SPEC	SIZE A3	CAGE CODE 00779
		WEIGHT	DRAWING NO C-2232346	RESTRICTED TO
CUSTOMER DRAWING			SCALE 1:1	SHEET 1 OF 2
			REV A4	

THIS DRAWING IS UNPUBLISHED.      RELEASED FOR PUBLICATION      -,-  
 © COPYRIGHT - By -      ALL RIGHTS RESERVED.

LOC	DIST	REVISIONS			
P	LTR	DESCRIPTION	DATE	DWN	APVD
-	-	SEE SHEET 1	-	-	-



TRAY:400X315X25



BOX:411X327X195

126	6	21	5-2232346-2
126	6	21	5-2232346-1
168	6	28	4-2232346-2
168	6	28	4-2232346-1
168	6	28	3-2232346-2
168	6	28	3-2232346-1
168	6	28	2-2232346-2
168	6	28	2-2232346-1
168	6	28	1-2232346-2
168	6	28	1-2232346-1
PCS/BOX	TRAY/BOX	PCS/TRAY	TE NO.

THIS DRAWING IS A CONTROLLED DOCUMENT.		DWN FENCER YU 08JUN2015	TE Connectivity	
		CHK KOBBOY ZHAO 08JUN2015		
DIMENSIONS: mm		APVD XIANG XU 08JUN2015	NAME SCSI .05 PLUG SCREW TYPE LOCK	
		PRODUCT SPEC 108-106126		
TOLERANCES UNLESS OTHERWISE SPECIFIED: 0 PLC ± 0.35 1 PLC ± 0.30 2 PLC ± 0.25 3 PLC ± - 4 PLC ± - ANGLES ± 2		APPLICATION SPEC -	SIZE A3	CAGE CODE 00779
MATERIAL -		FINISH -	DRAWING NO C=2232346	RESTRICTED TO -
CUSTOMER DRAWING			SCALE 1:1	SHEET 2 OF 2
			REV A4	

单击下面可查看定价，库存，交付和生命周期等信息

[>>TE Connectivity\(泰科\)](#)