

4

3

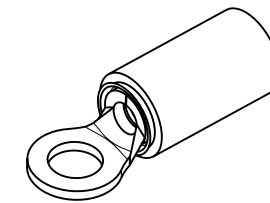
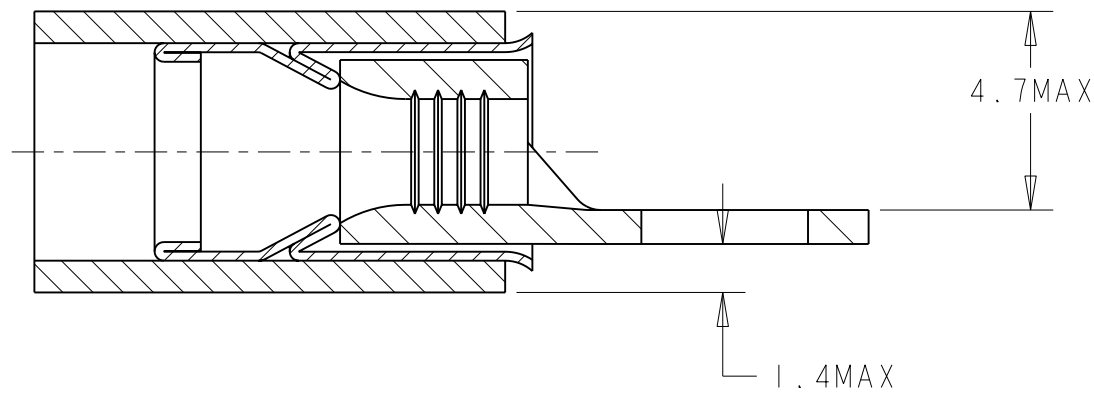
2

1

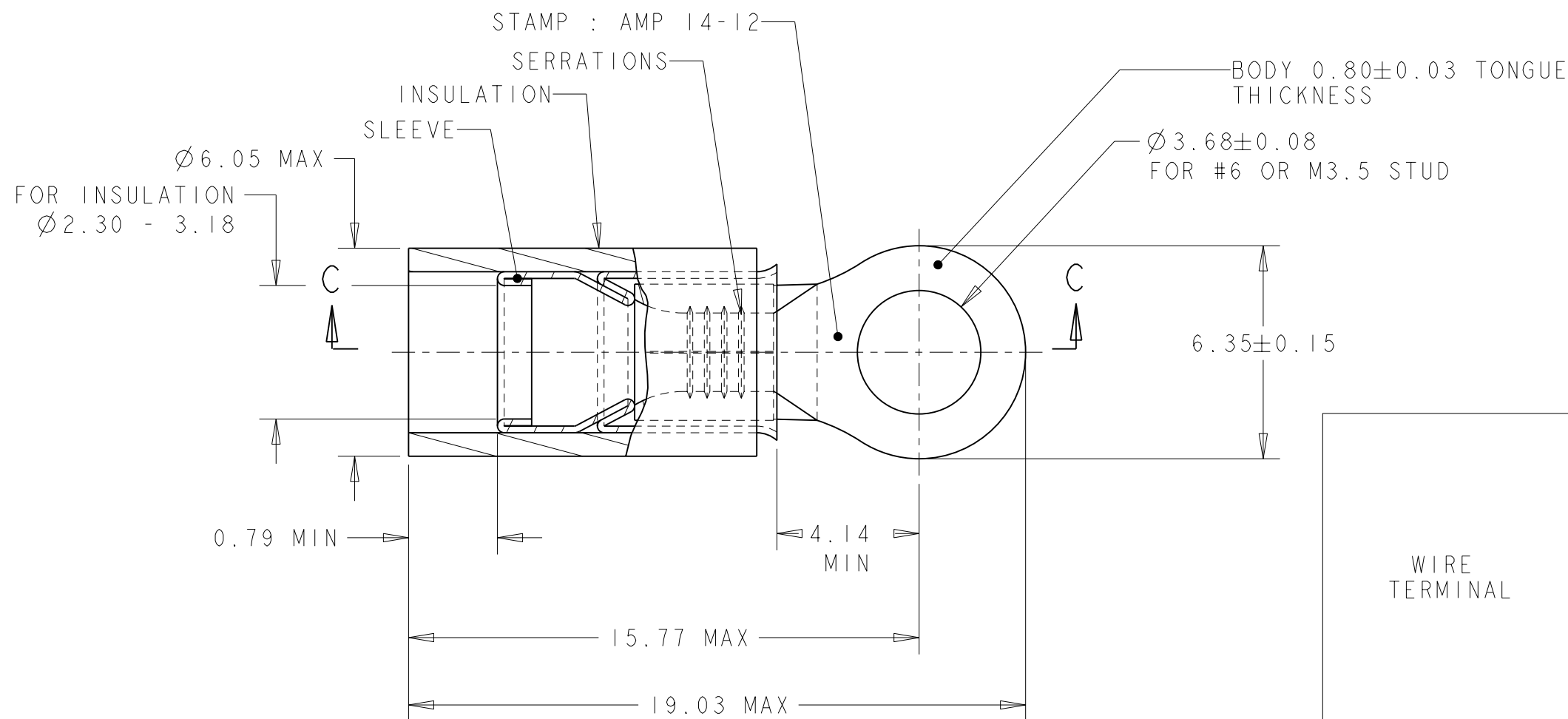
THIS DRAWING IS UNPUBLISHED. RELEASED FOR PUBLICATION 20
 © COPYRIGHT 20 BY TYCO ELECTRONICS CORPORATION. ALL RIGHTS RESERVED.

| LOC | DIST | REVISIONS | | | |
|-----|------|-------------|---------------|-----------|-------|
| P | LTR | DESCRIPTION | DATE | DWN | APVD |
| F | 00 | B | ECR 07-025006 | 26OCT2007 | JT GR |

COUPE C-C



SCALE 2:1



| | | |
|---------------|-------------|--|
| WIRE TERMINAL | 1577638-1 | BODY : COPPER ANNEALED FINISH : NICKEL PLATED |
| | | SLEEVE : COPPER ANNEALED FINISH : NICKEL PLATED |
| | | INSULATION : PEEK COLOR : BEIGE |
| DESCRIPTION | PART NUMBER | MATERIAL & FINISH |

| | | | | |
|--|--|----------------------------------|---|-----------------------|
| THIS DRAWING IS A CONTROLLED DOCUMENT FOR TYCO ELECTRONICS CORPORATION IT IS SUBJECT TO CHANGE AND THE CONTROLLING ENGINEERING ORGANIZATION SHOULD BE CONTACTED FOR THE LATEST REVISION. | | DWN JJ. DESPRETZ 24FEB2006 | Tyco Electronics France SAS 95300 Pontoise, France | |
| DIMENSIONS: mm | | CHK G. ROBERT 24FEB2006 | | |
| TOLERANCES UNLESS OTHERWISE SPECIFIED: | | APVD Y. PETRONIN 24FEB2006 | NAME TERMINAL, PEEK PIDG STRATO, 14-12 AWG | |
| 0 PLC ±- | | PRODUCT SPEC 108-15356 | SIZE A3 | |
| 1 PLC ±0.3 | | APPLICATION SPEC 114-15102 | CAGE CODE 00779 | DRAWING NO 1577638 |
| 2 PLC ±- | | WEIGHT 0,97 gr | RESTRICTED TO - | |
| 3 PLC ±- | | CUSTOMER DRAWING | | |
| 4 PLC ±- | | SCALE 6:1 | | |
| ANGLES ±5 | | SHEET 1 OF 1 | | |
| FINISH SEE TABLE | | REV B | | |

单击下面可查看定价，库存，交付和生命周期等信息

[>>TE Connectivity\(泰科\)](#)