

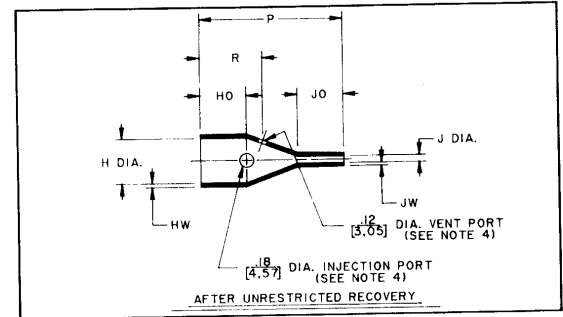
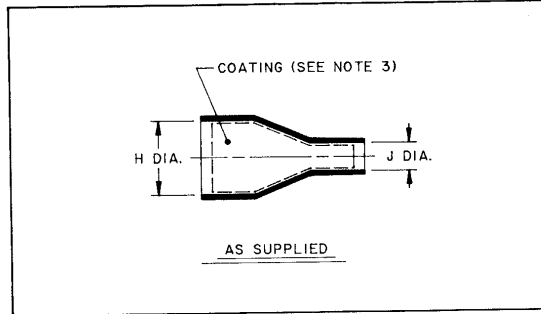
# Thermofit® Molded Parts Specification Control Drawing

**Part Number:** 203A312

**Description:** Boot, Coax Strain Relief

**Notes:**

- All dimensions are in  $\frac{\text{Inches}}{\text{[Millimeters]}}$  ;  $\frac{\text{lbs}}{\text{[gms]}}$
- Dimensions appearing in table are as follows:  
a - as supplied  
b - after unrestricted recovery
- Coating is optional. As supplied dimensions appearing in table are for uncoated parts. When coating is added, entry diameters will be reduced by .06 max.
- Molding ports are optional. When specified as a -00 modification they will be located as shown.
- Weight shown in table of dimensions is based on polyolefin part.



Part Number	H		J		P ± 10% b	R ± 10% b	HO ± 10% b	JO ± 10% b	HW ± 20% b	JW ± 20% b	Weight ± 10% b
	Min. a	Max. b	Min. a	Max. b							
	203A312	.80 [20,3]	.61 [15,5]	.30 [7,6]							

**Raychem**

Raychem Corporation  
300 Constitution Drive  
Menlo Park, California 94025  
415) 361 6055

If this document is printed it becomes uncontrolled.  
Check for the latest revision.

Revision: **B**  
Date: **8-20-84**

**Part Number:** 203A312  
**Description:** Boot, Coax Strain Relief

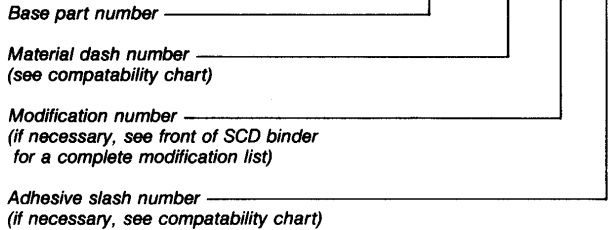
# Thermofit<sup>®</sup> Molded Parts Specification Control Drawing

**Part Number:** 203A312  
**Description:** Boot, Coax Strain Relief

Compatibility Chart					
Material Dash No.	Material Description	RT Spec	Coating Slash No.	Coating S No.	Coating Description
- 3	Polyolefin, Semi-Rigid	RT-301	/42	S-1017	Adhesive

## Ordering Information:

203A312 — XX — XX / XXX



This drawing is subject to change without notice; consult your nearest field representative for current revision.

**Raychem**  
Raychem Corporation  
300 Constitution Drive  
Menlo Park, California 94025  
415) 361 6055

If this document is printed it becomes uncontrolled.  
Check for the latest revision.

Revision: **B**  
Date: **8-20-84**

**Part Number:** 203A312  
**Description:** Boot, Coax Strain Relief

单击下面可查看定价，库存，交付和生命周期等信息

[>>TE Connectivity\(泰科\)](#)