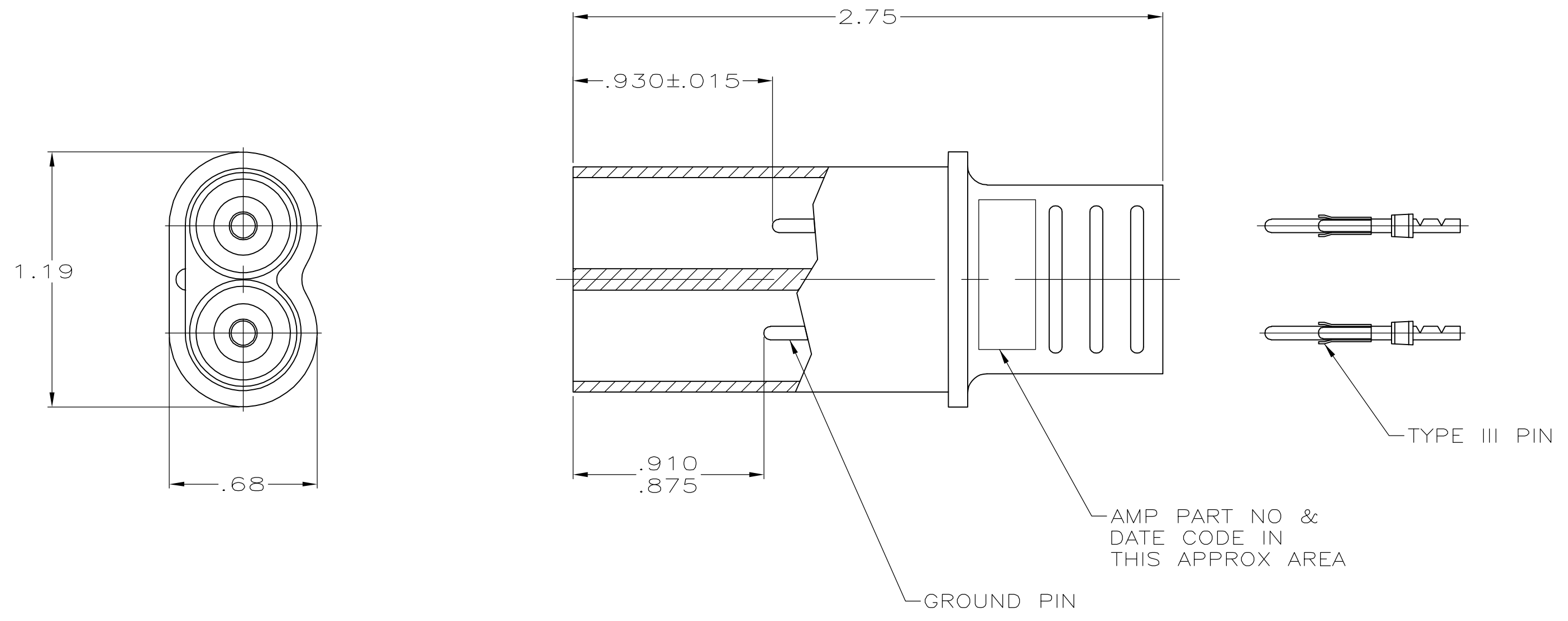


THIS DRAWING IS UNPUBLISHED. RELEASED FOR PUBLICATION - .N/A .  
 © COPYRIGHT N/A BY TYCO ELECTRONICS CORPORATION. ALL RIGHTS RESERVED.

LOC	DIST	REVISIONS					
DF	S0	P	LTR	DESCRIPTION	DATE	DWN	APVD
		G		REV PER OH14-0191-05	05-05	AA	DE



TIN	18-16 AWG	1-66099-5	90067-2	862434-7
TIN	22-20 AWG	1-66400-0	90067-2	862434-6
GOLD	18-16 AWG	66099-1	90067-2	862434-5
TIN-LEAD	22-20 AWG	66400-1	90067-2	862434-4
TIN-LEAD	18-16 AWG	66099-2	90067-2	862434-3
TIN-LEAD	22-20 AWG	66400-1	90067-2	862434-2
TIN-LEAD	18-16 AWG	66099-2	90067-2	862434-1
CONTACT PLATING (REF)	WIRE RANGE FOR PINS	PIN PART NO. QTY = 2	HAND TOOL	PART NO.

THIS DRAWING IS A CONTROLLED DOCUMENT.

DWN	C.C.THOMAS	15-MAY-03	Tyco Electronics Corporation Harrisburg, Pa 17105-3608
CHK	D. EABY	15-MAY-03	
APVD	D. EABY	15-MAY-03	
PRODUCT SPEC			
APPLICATION SPEC			NAME
			PLUG KIT 2 CAVITY LGH
WEIGHT	-		SIZE
CUSTOMER DRAWING			CAGE CODE
			DRAWING NO
			RESTRICTED TO
			SCALE
			SHEET
			OF
			REV
			G

单击下面可查看定价，库存，交付和生命周期等信息

[>>TE Connectivity\(泰科\)](#)