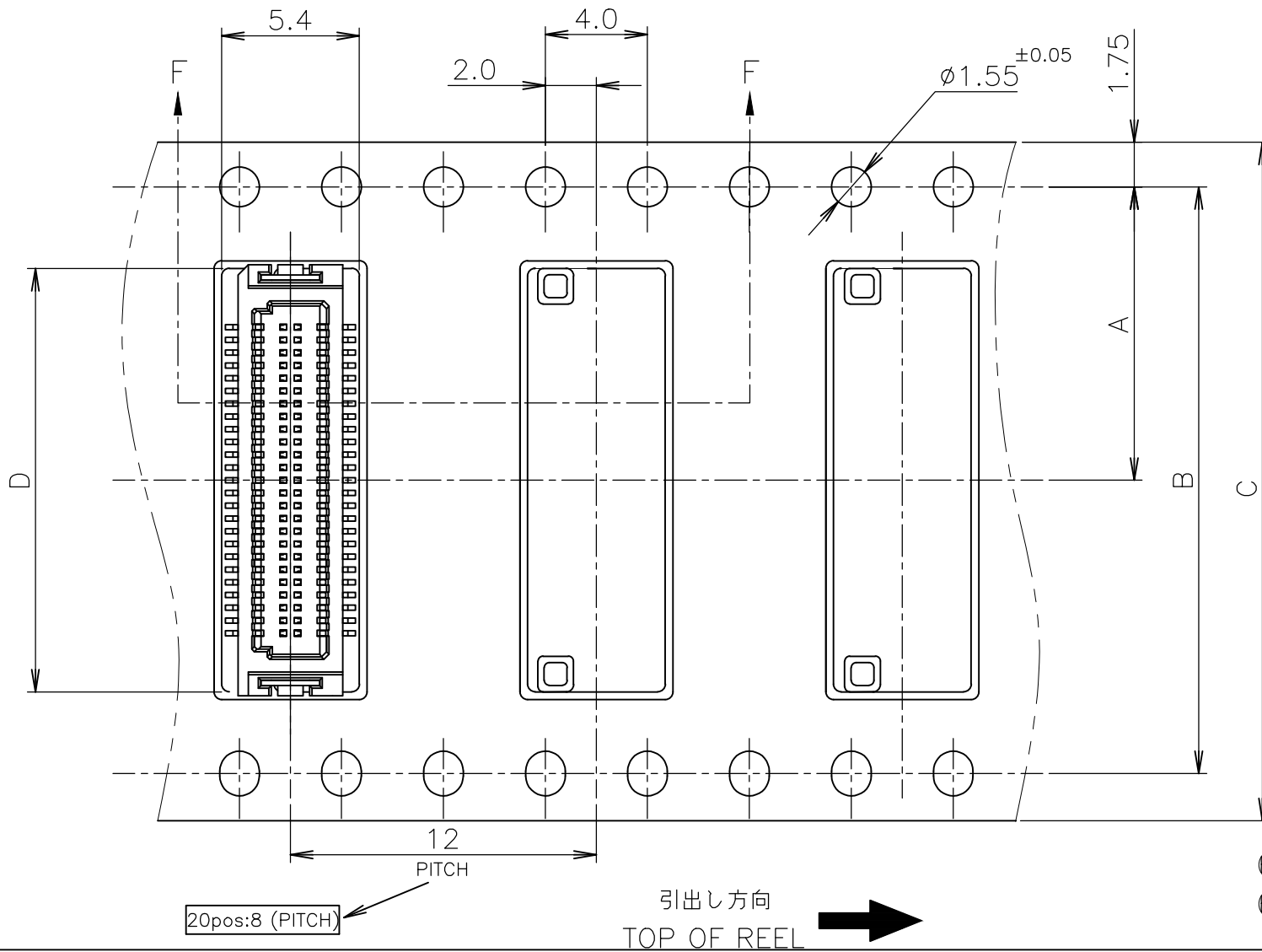
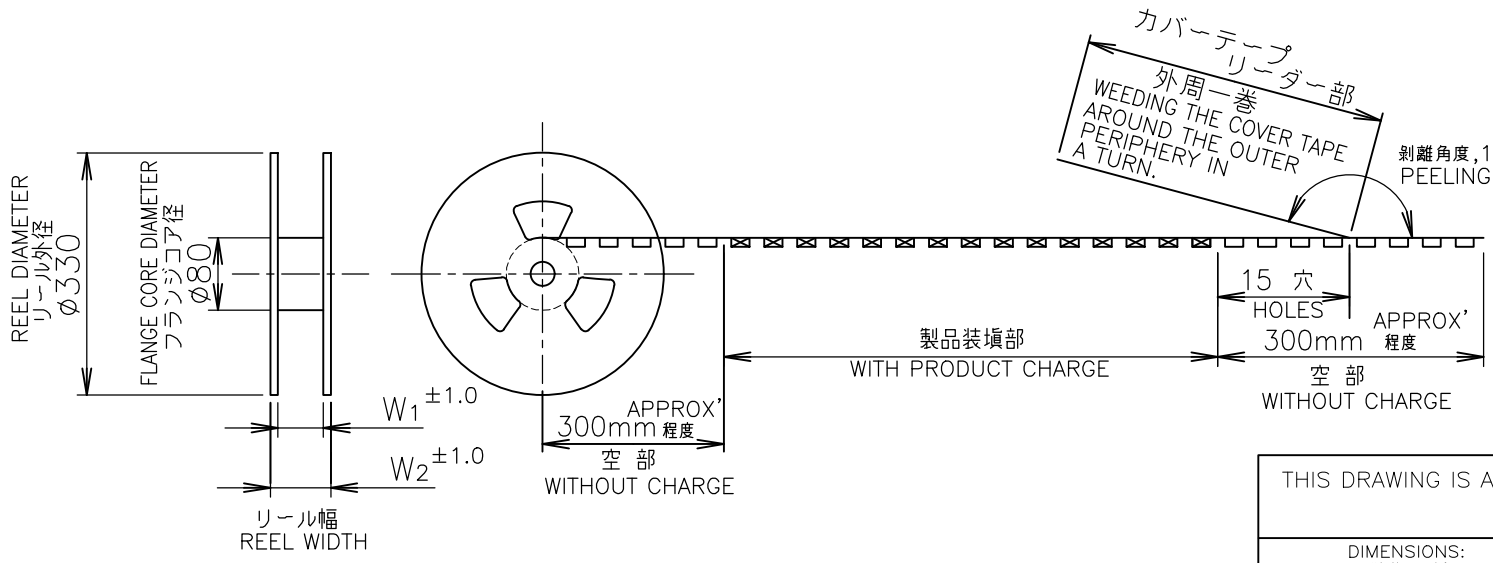


P	LTR	DESCRIPTION	DATE	DWN	APVD
	B2	REVISED ECO-18-003089	01MAR2018	R.L	H.L



テープ幅
TAPE WIDTH

WITH BOSS	WITHOUT BOSS	BOSS	W2	W1	E	D	C	B	A	QTY/ REEL	POS	CONNECTOR P/N	TAPING P/N
N	N	Mylar	36.7	33.5	0.4	22.2	32	28.4	14.2	1000	70	5-1747023-45	1747022-4
			49.5	45.5	0.38	24.7	40	40.4	20.2	1000	80	5-1747023-35	1747022-3
N	N	Mylar	20.7	17.5	0.38	8.7	16	X	7.5	1000	16	1-1747023-01	1747022-0
			20.2	17.5	0.4	9.7	16	X	7.5	1000	20	1747023-96	1747022-9
			20.2	17.5	0.4	9.7	16	X	7.5	1000	20	1747023-9	1747022-9
N	N	Mylar	49.5	45.5	0.38	24.7	40	40.4	20.2	1000	80	1747023-3	1747022-3



カバーテープ
リーダー部
外周一巻
WEEDING THE COVER TAPE
AROUND THE OUTER
PERIPHERY IN
A TURN.
剥離角度、165°~180°
PEELING ANGLE.

鉛フリー
LEAD FREE

THIS DRAWING IS A CONTROLLED DOCUMENT.

DIMENSIONS: 単位: 耗 MM	TOLERANCES UNLESS OTHERWISE SPECIFIED: 一般公差
0 PLC ±0.2	1 PLC ±0.2
2 PLC ±0.2	3 PLC ±0.2
4 PLC ±0.2	ANGLES ±3°
MATERIAL 材料	FINISH 仕上

INSTRUCTION SHEET
取扱説明書
411-5808

WIRE RANGE
抱合電線断面積

INSULATION DIA
被覆外径

DWN
CHK



APVD
PRODUCT SPEC
製品規格
108-5496
APPLICATION SPEC
取付適用規格
WEIGHT
1

NAME
名称
ON TAPING (EMBOSS)
0.5mm PITCH FINE MATE CONN.
RECEPTACLE ASSEMBLY WITH KEY&BOSS
SIZE
CAGE CODE
DRAWING NO
番号
A3 00779 C-1747022
RESTRICTED TO

CUSTOMER DRAWING SCALE 4:1 SHEET 1 OF 4 REV B2

THIS DRAWING IS UNPUBLISHED.

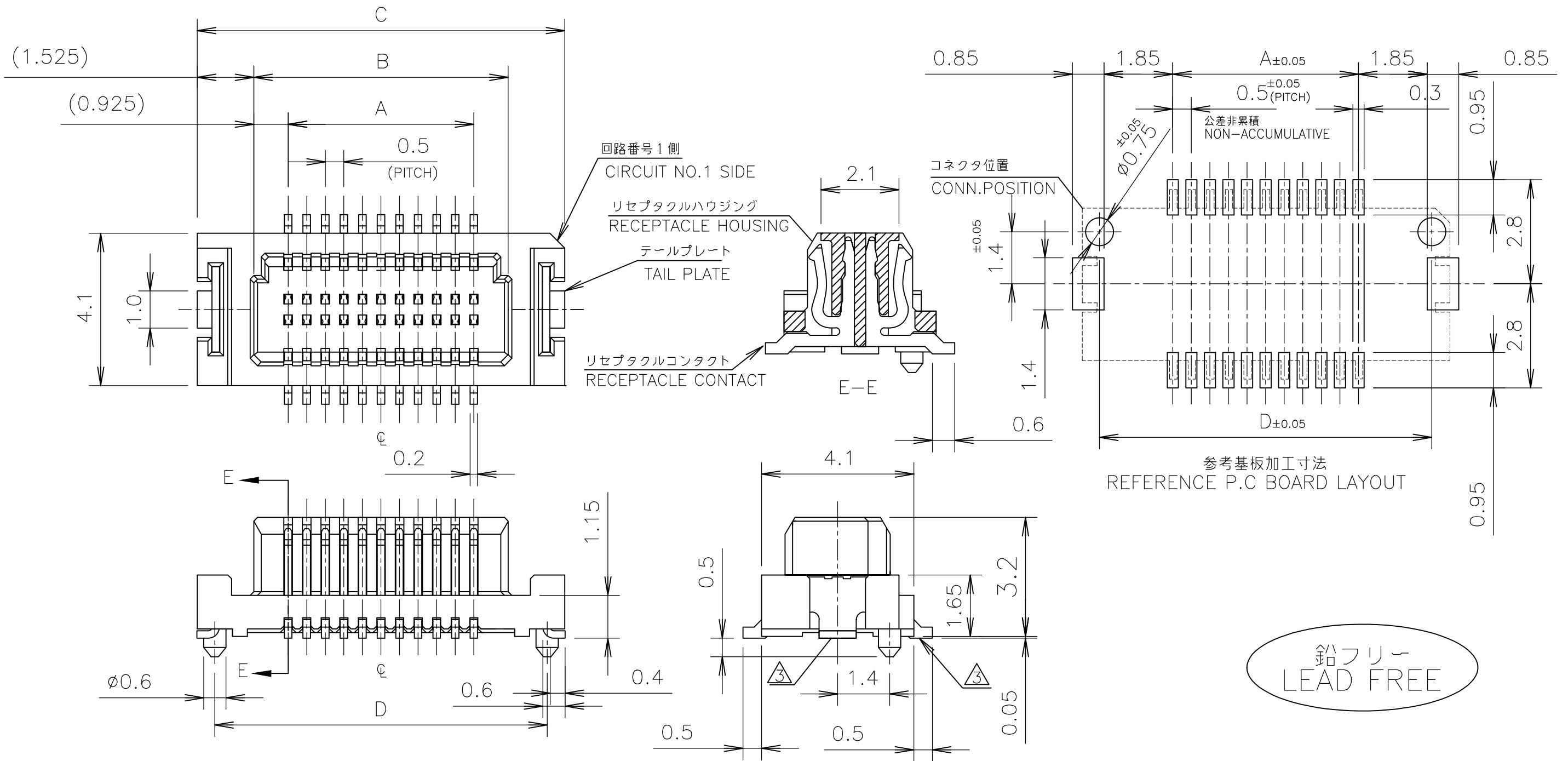
RELEASED FOR PUBLICATION .FEB 1997

REVISIONS

© COPYRIGHT 1997 By -

ALL RIGHTS RESERVED.

P	LTR	DESCRIPTION	DATE	DWN	APVD
-	-	SEE SHEET 1	-	-	-



CONNECTOR 1747023* AS SHOW

THIS DRAWING IS A CONTROLLED DOCUMENT.

DIMENSIONS: 単位: 耗 MM	TOLERANCES UNLESS OTHERWISE SPECIFIED: 一般公差
	0 PLC ± 0.2
	1 PLC ± 0.2
	2 PLC ± 0.2
	3 PLC ± 0.2
	4 PLC ± 0.2
	ANGLES ± 3'
MATERIAL 材料	FINISH 仕上

INSTRUCTION SHEET 取扱説明書 411-5808	WIRE RANGE 抱合電線断面積 -	INSULATION DIA 被覆外径 -	
DWN	STE TE Connectivity		
CHK			
APVD	NAME 名称 ON TAPING (EMBOSS) 0.5mm PITCH FINE MATE CONN. RECEPTACLE ASSEMBLY WITH KEY&BOSS		
PRODUCT SPEC 製品規格 108-5496	SIZE A3	CAGE CODE 00779	DRAWING NO 番号 C-1747022
APPLICATION SPEC 取付適用規格	RESTRICTED TO		
WEIGHT 1	SCALE 尺度 4:1	SHEET 2 OF 4	REV B2
CUSTOMER DRAWING			

THIS DRAWING IS UNPUBLISHED.

RELEASED FOR PUBLICATION .FEB 1997

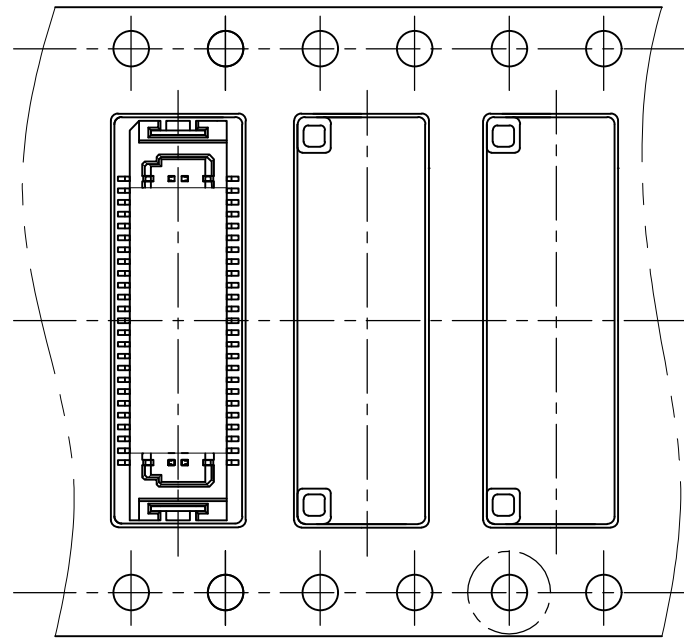
© COPYRIGHT 1997 By -

ALL RIGHTS RESERVED.

REVISIONS

P	LTR	DESCRIPTION	DATE	DWN	APVD
-	-	SEE SHEET 1	-	-	-

ⓑ2 cancel the view as the PN OBS



ⓑupdate the view

THIS TYPE APPLIES FOR 5-1747022-3

引出し方向
TOP OF REEL →

THIS DRAWING IS A CONTROLLED DOCUMENT.		DWN				
DIMENSIONS: 単位: 耗 MM		CHK				
	TOLERANCES UNLESS OTHERWISE SPECIFIED: 一般公差	APVD	NAME 名称			
	0 PLC ± 0.2	PRODUCT SPEC 製品規格	ON TAPING (EMBOSS)			
	1 PLC ± 0.2	108-5496	0.5mm PITCH FINE MATE CONN.			
	2 PLC ± 0.2	APPLICATION SPEC 取付適用規格	RECEPTACLE ASSEMBLY WITH KEY&BOSS			
3 PLC ± 0.2	4 PLC ± 0.2	WEIGHT	SIZE	CAGE CODE	DRAWING NO 番号	RESTRICTED TO
4 PLC ± 0.2	ANGLES ± 3'	1	A3	00779	C-1747022	
MATERIAL 材料	FINISH 仕上	CUSTOMER DRAWING		SCALE 尺度	SHEET	REV
			4:1	3 of 4	B2	

单击下面可查看定价，库存，交付和生命周期等信息

[>>TE Connectivity\(泰科\)](#)