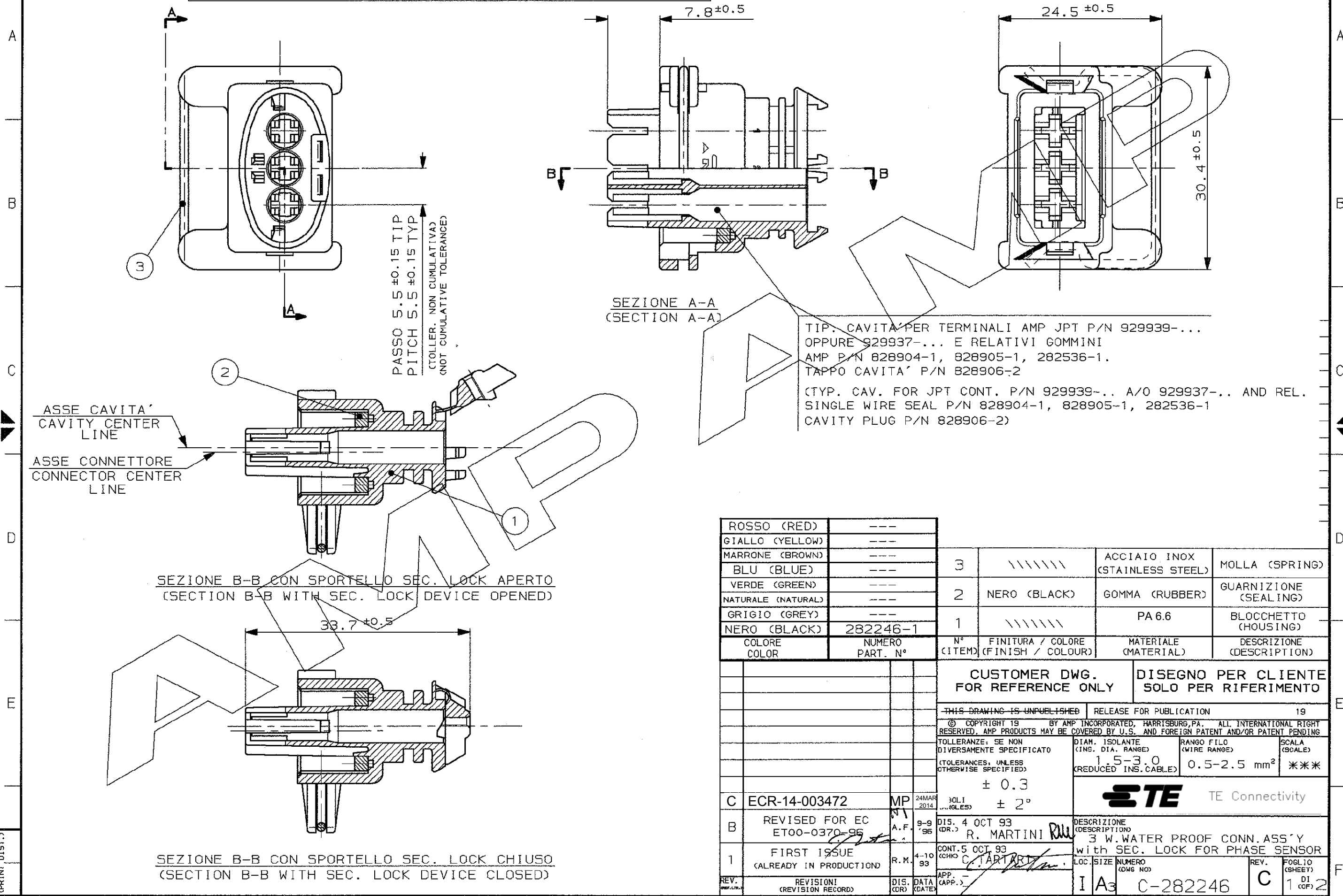


CONNETTORE TIPO A (CON MOLLA DI RITEGNO ESTERNA)  
CONNECTOR TYPE A (WITH EXTERNAL SPRING)

SCALA NON IMPEGNATIVA  
(DO NOT SCALE)  
DIMENSIONI IN mm  
(DIMENSIONS IN)

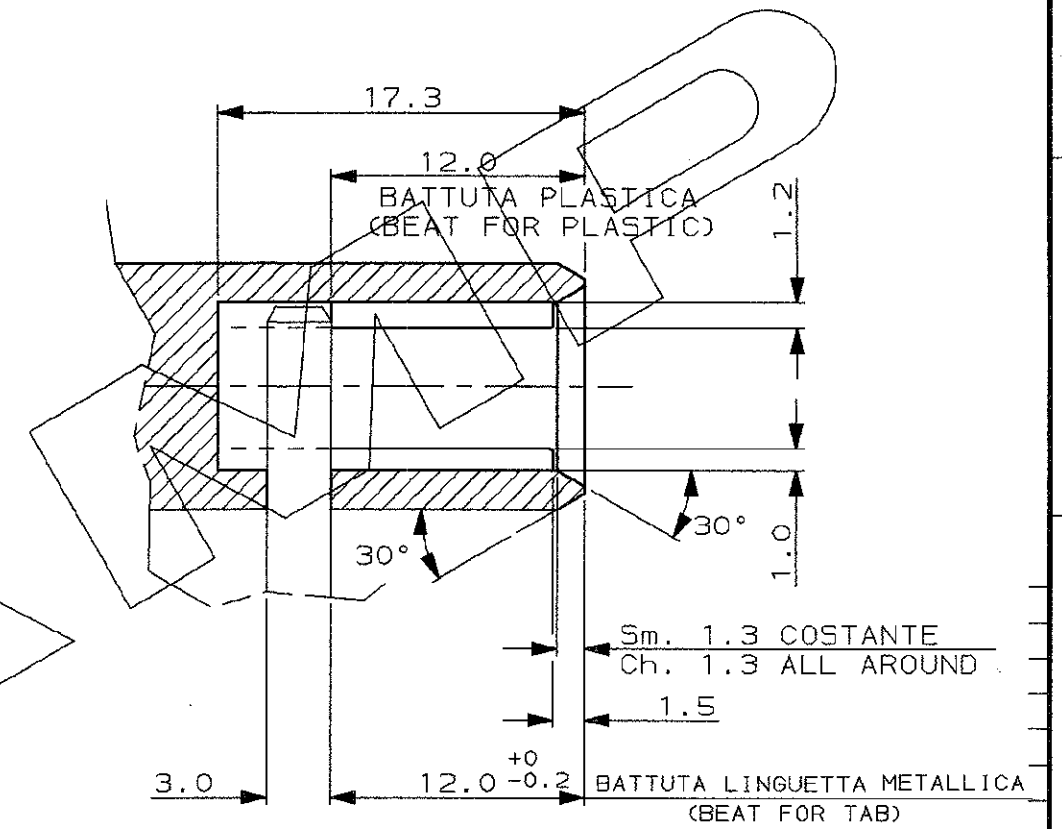
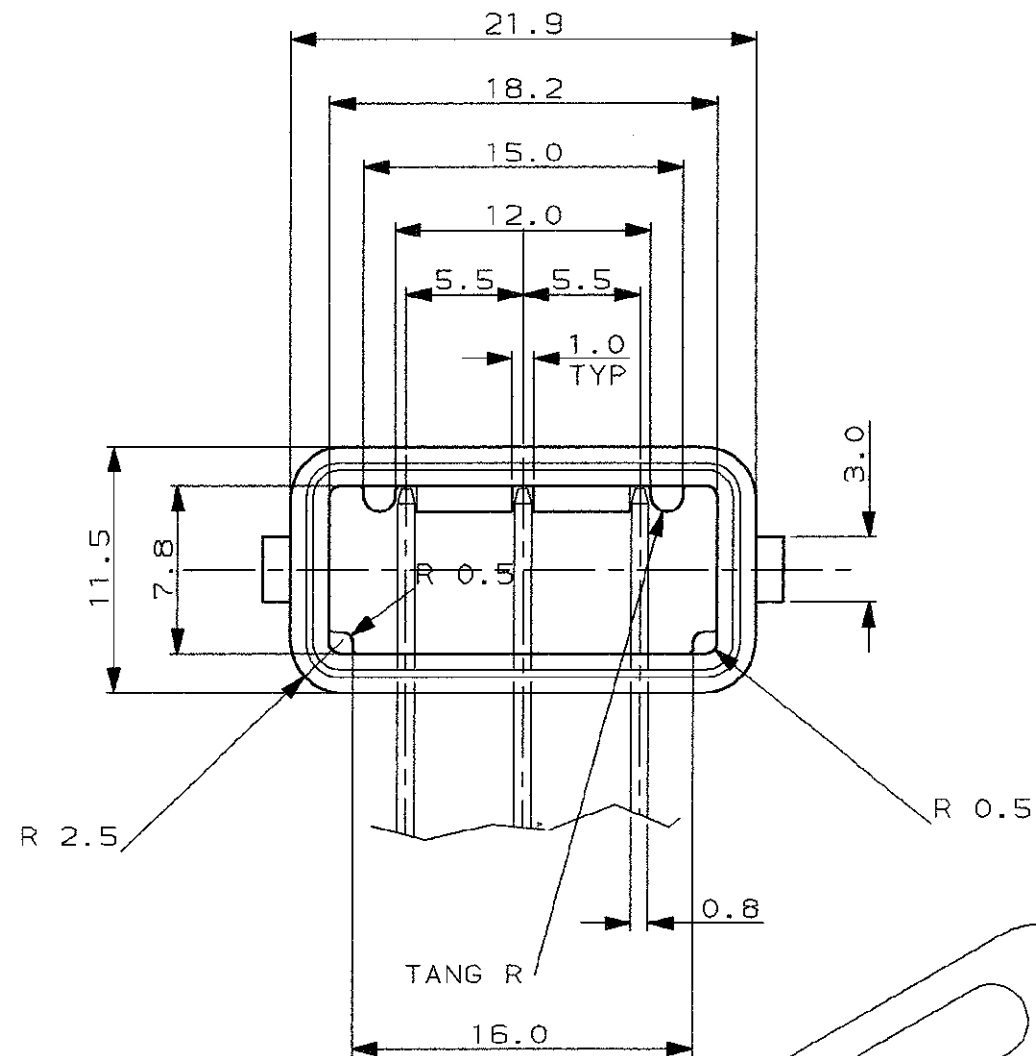
METRIC

PROIEZIONE EUROPEA  
(EUROPEAN PROJECTION)



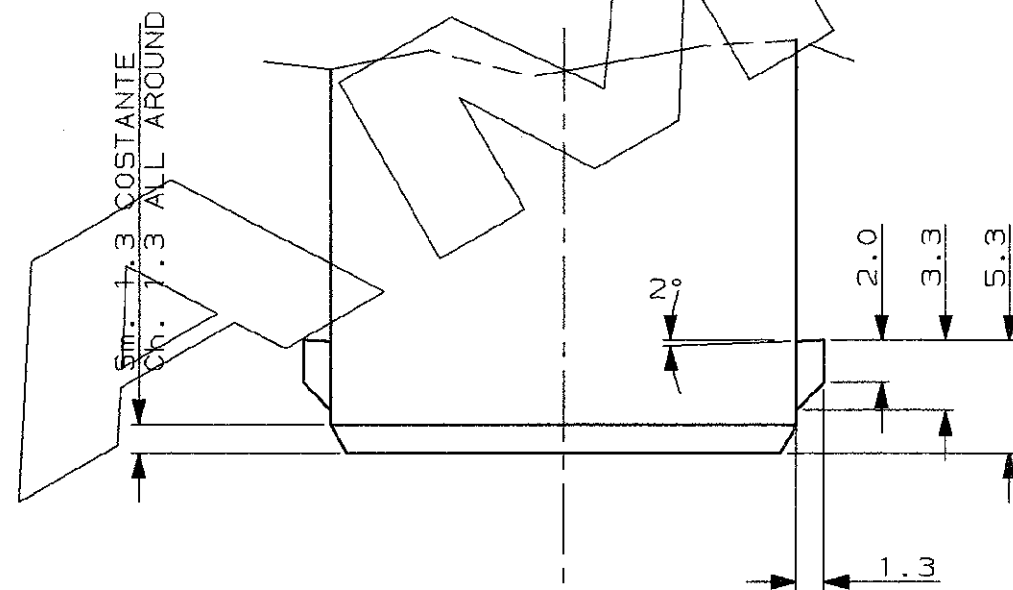
ROSSO (RED)	---				
GIALLO (YELLOW)	---				
MARRONE (BROWN)	---	3	///////	ACCIAIO INOX (STAINLESS STEEL)	MOLLA (SPRING)
BLU (BLUE)	---				
VERDE (GREEN)	---	2	NERO (BLACK)	GOMMA (RUBBER)	GUARNIZIONE (SEALING)
NATURALE (NATURAL)	---				
GRIGIO (GREY)	---	1	///////	PA 6.6	BLOCCHETTO (HOUSING)
NERO (BLACK)	282246-1				
COLORE COLOR	NUMERO PART. N°	N° (ITEM)	FINITURA / COLORE (FINISH / COLOUR)	MATERIALE (MATERIAL)	DESCRIZIONE (DESCRIPTION)
		CUSTOMER DWG. FOR REFERENCE ONLY		DISEGNO PER CLIENTE SOLO PER RIFERIMENTO	
		THIS DRAWING IS UNPUBLISHED		RELEASE FOR PUBLICATION 19	
© COPYRIGHT 19 BY AMP INCORPORATED, HARRISBURG, PA. ALL INTERNATIONAL RIGHT RESERVED. AMP PRODUCTS MAY BE COVERED BY U.S. AND FOREIGN PATENT AND/OR PATENT PENDING					
TOLLERANZE: SE NON DIVERSAMENTE SPECIFICATO (TOLERANCES, UNLESS OTHERWISE SPECIFIED)			DIAM. ISOLANTE (INS. DIA. RANGE) 1.5-3.0 (REDUCED INS. CABLE)		SCALA (SCALE) ***
± 0.3			RANGO FILO (WIRE RANGE) 0.5-2.5 mm²		
± 2°					
C	ECR-14-003472	MP	24MAR 2014	30L1 (SIZES)	
B	REVISED FOR EC ET00-0370-96	A.F.	9-9 '96	DIS. 4 OCT 93 (DR.) R. MARTINI RW	
1	FIRST ISSUE (ALREADY IN PRODUCTION)	R.M.	4-10 93	CONT. 5 OCT 93 (CHK) C. TARTAGLIA	
REV. (REV. CDR.)	REVISIONI (REVISION RECORD)	DIS. (DR.)	DATA (DATE)	APP. (APP.)	
		I A3		NUMERO (DWG NO) C-282246	REV. C
				FOGLIO (SHEET) 1	DI (CF) 2

DISTRIBUZIONE (PRINT / DIST.)



NOTE (NOTES):

- 1) MATERIALE CONTATTI: LEGA DI RAME STAGNATA, ES. OTTONE STAGNATO.  
(TAB MATERIAL: TINNED CU ALLOY, E.G. TINNED BRASS).
- 2) MATERIALE BLOCCHETTO: TERMOPLASTICO CARICATO FIBRA VETRO.  
(HOUSING MATERIAL: THERMOPLASTIC GLASS FIBER FILLED).
- 3) SOLO PER RIF.: CONTROPARTE SENSORE DI FASE (BOSCH).  
(ONLY FOR REF.: COUNTERPART PHASE SENSOR BOSCH).



FINITURA / COLORE (FINISH / COLOUR)	MATERIALE (MATERIAL)	NUMERO (PART NUMBER)
CUSTOMER DWG. FOR REFERENCE ONLY	DISEGNO PER CLIENTE SOLO PER RIFERIMENTO	
THIS DRAWING IS UNPUBLISHED		RELEASE FOR PUBLICATION 19
© COPYRIGHT 19 BY AMP INCORPORATED, HARRISBURG, PA. ALL INTERNATIONAL RIGHT RESERVED. AMP PRODUCTS MAY BE COVERED BY U.S. AND FOREIGN PATENT AND/OR PATENT PENDING		
TOLLERANZE: SE NON DIVERSAMENTE SPECIFICATO (TOLERANCES, UNLESS OTHERWISE SPECIFIED)	DIAM. ISOLANTE (INS. DIA. RANGE)	RANGO FILO (WIRE RANGE)
± 0.1	SEE SH.1	SEE SH.1
ANGOLI (ANGLES)	SCALA (SCALED)	
± 2°	3:1	
DIS. 4 OCT 93 (DR.) R. MARTINI	DESCRIZIONE (DESCRIPTION) 3 W. WATER PROOF CONN. ASS'Y	
CONT. 5 OCT 93 (CHK) C. TARTARI	with SEC. LOCK FOR PHASE SENSOR	
SEE SHEET 1 OF 2	LOC. SIZE NUMERO (DWG NO)	REV. FOGLIO (SHEET)
	I A3 C-282246	- 2 OF 2

DISTRIBUZIONE  
(PRINT DIST.)

单击下面可查看定价，库存，交付和生命周期等信息

[>>TE Connectivity\(泰科\)](#)