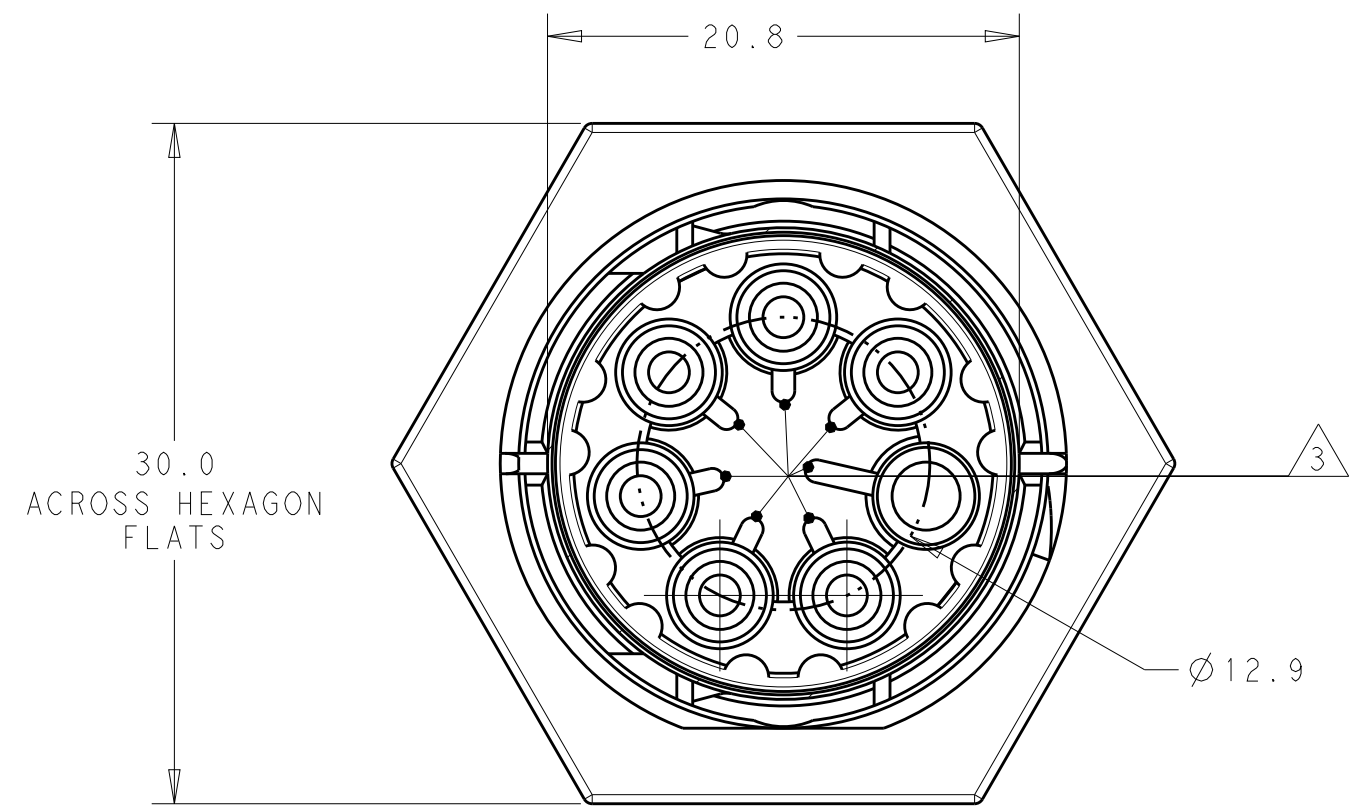
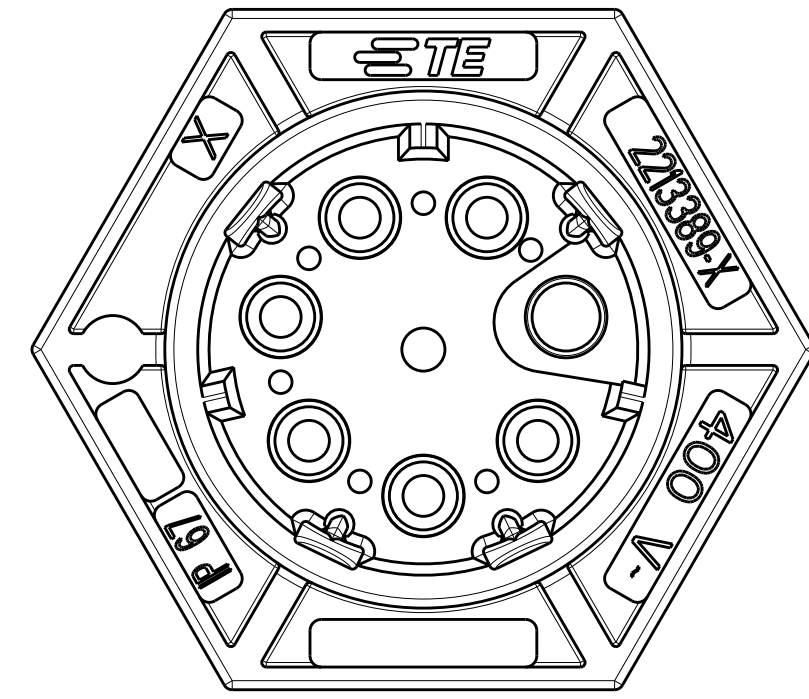
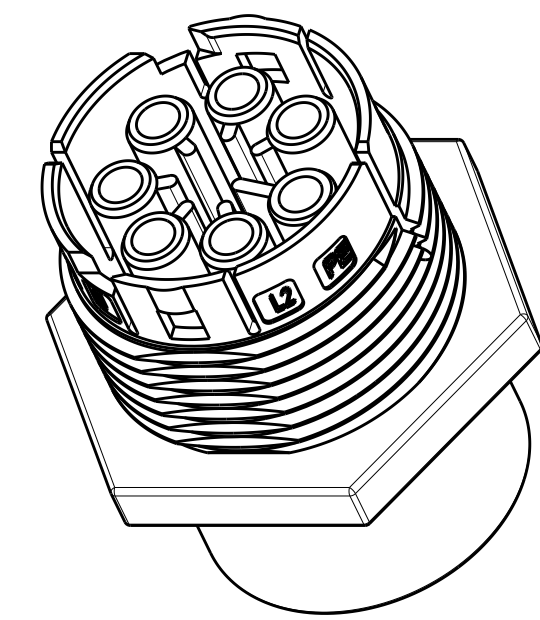
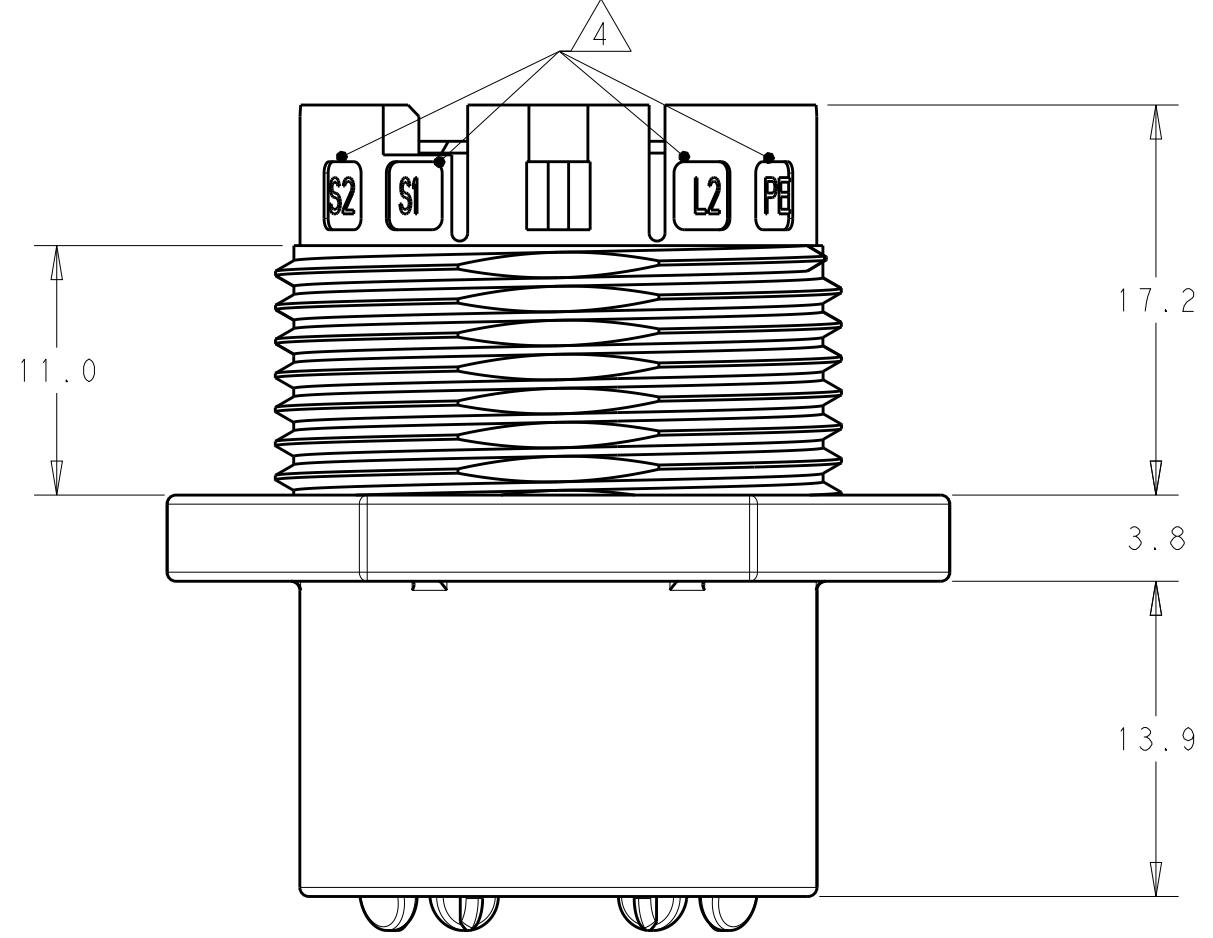
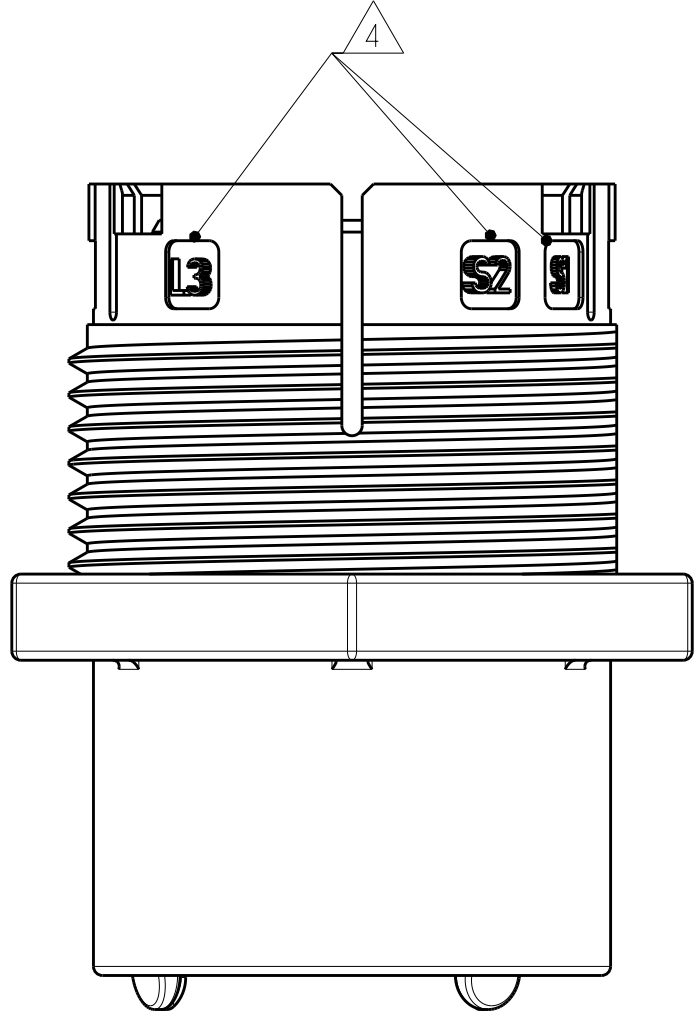


THIS DRAWING IS UNPUBLISHED. RELEASED FOR PUBLICATION 20
 © COPYRIGHT 20 BY - ALL RIGHTS RESERVED.

REVISIONS					
P	LTR	DESCRIPTION	DATE	DWN	APVD
A		REVISED AS PER ECR-15-005925	21APR2015	RS	JL
B		REVISED AS PER ECR-16-000859	08MAR2016	RS	JL
B1		ECR-18-006945	05JUL2018	SR	MZ



- NOTES:
1. MATERIAL: GLASS FILLED PBT, COLOR: BLACK
 2. MUST COMPLY WITH DIRECTIVE 2002/95/EC (ROHS)
 3. ALL POLARIZATION KEYS SHOWN FOR REF ONLY.
 4. CIRCUIT I.D.
 5. THIS PRODUCT HAS NOT COMPLETED VALIDATION TESTING

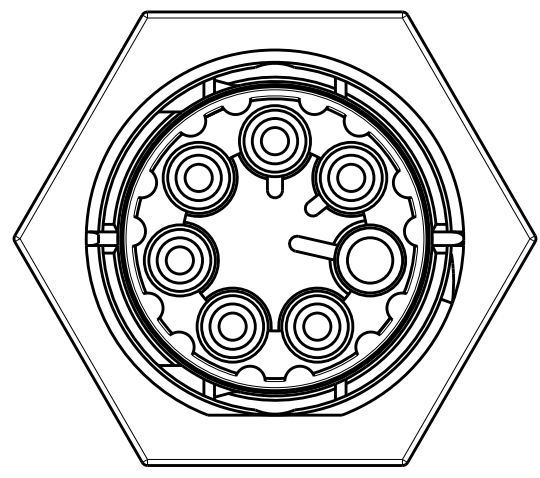
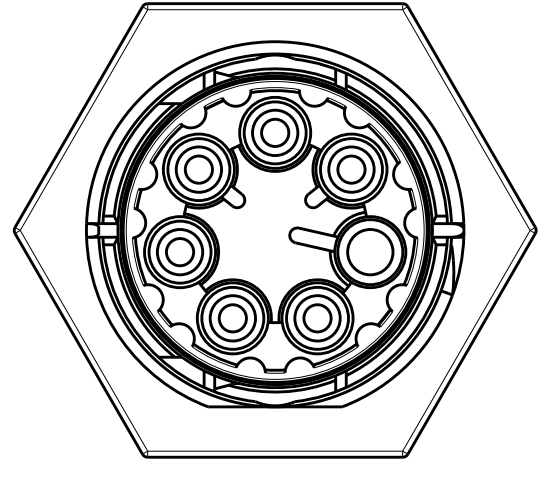
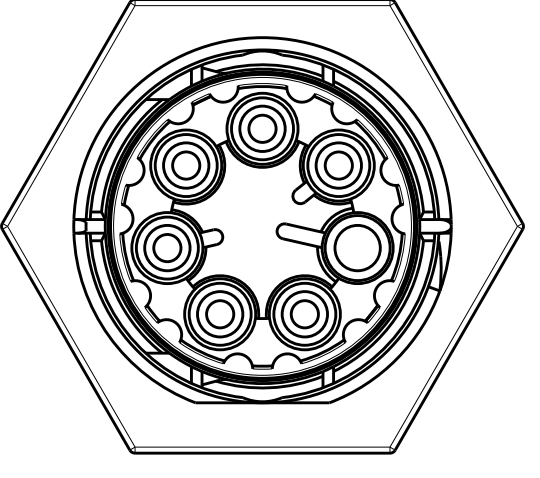
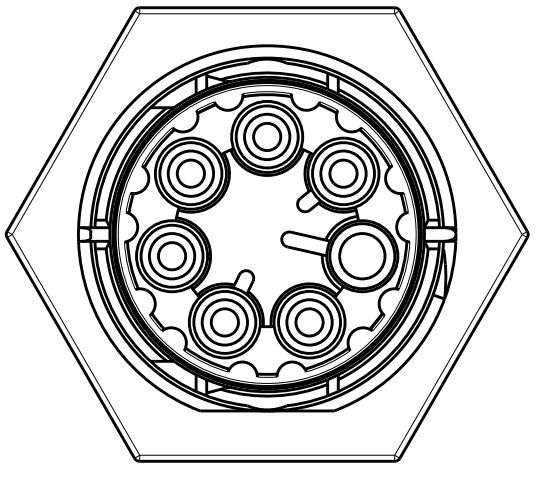
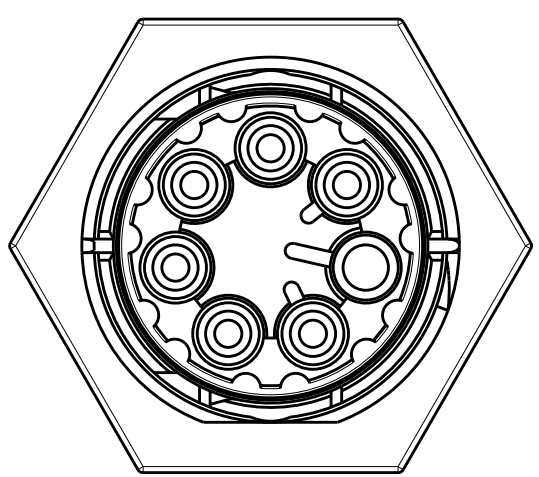


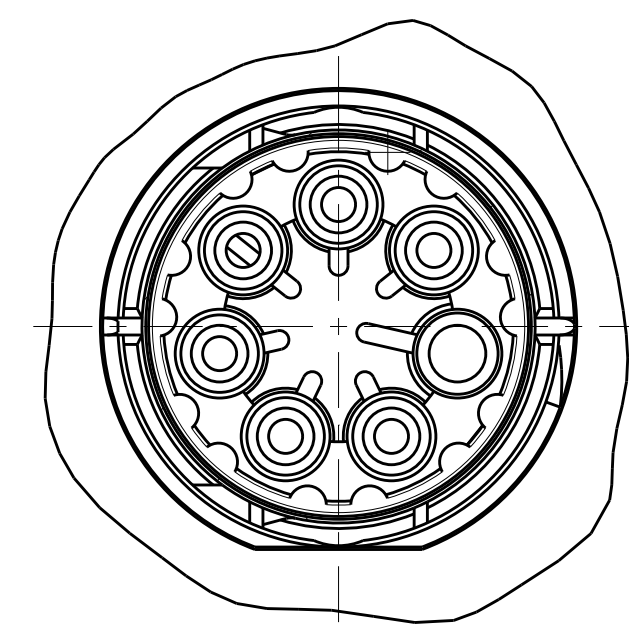
OBSOLETE	E	PANEL MT SKT. SEALED NECTOR M, 7 POLE	2213263-5	
	D	PANEL MT SKT. SEALED NECTOR M, 7 POLE	2213263-4	
	C	PANEL MT SKT. SEALED NECTOR M, 7 POLE	2213263-3	
	B	PANEL MT SKT. SEALED NECTOR M, 7 POLE	2213263-2	
	A	PANEL MT SKT. SEALED NECTOR M, 7 POLE	2213263-1	
	POLARIZATION KEYING		DESCRIPTION	PART NUMBER

THIS DRAWING IS A CONTROLLED DOCUMENT.		DWN J. SHAFFER 12NOV2013	STE TE Connectivity	
DIMENSIONS: mm		CHK M. LUKSIC 12NOV2013		
TOLERANCES UNLESS OTHERWISE SPECIFIED:		APVD M. LUKSIC 12NOV2013	NAME PANEL MOUNT, SOCKET; SEALED NECTOR M, 7 POLE	
0 PLC ±	1 PLC ±0.2	PRODUCT SPEC 108-133014	SIZE A2	CAGE CODE -
2 PLC ±0.13	3 PLC ±	APPLICATION SPEC 114-32111	DRAWING NO G-2213263	RESTRICTED TO -
4 PLC ±	ANGLES ±	WEIGHT -	SCALE 2:1	SHEET 1 OF 2
MATERIAL NOTE 1	FINISH -	CUSTOMER DRAWING	REV B1	

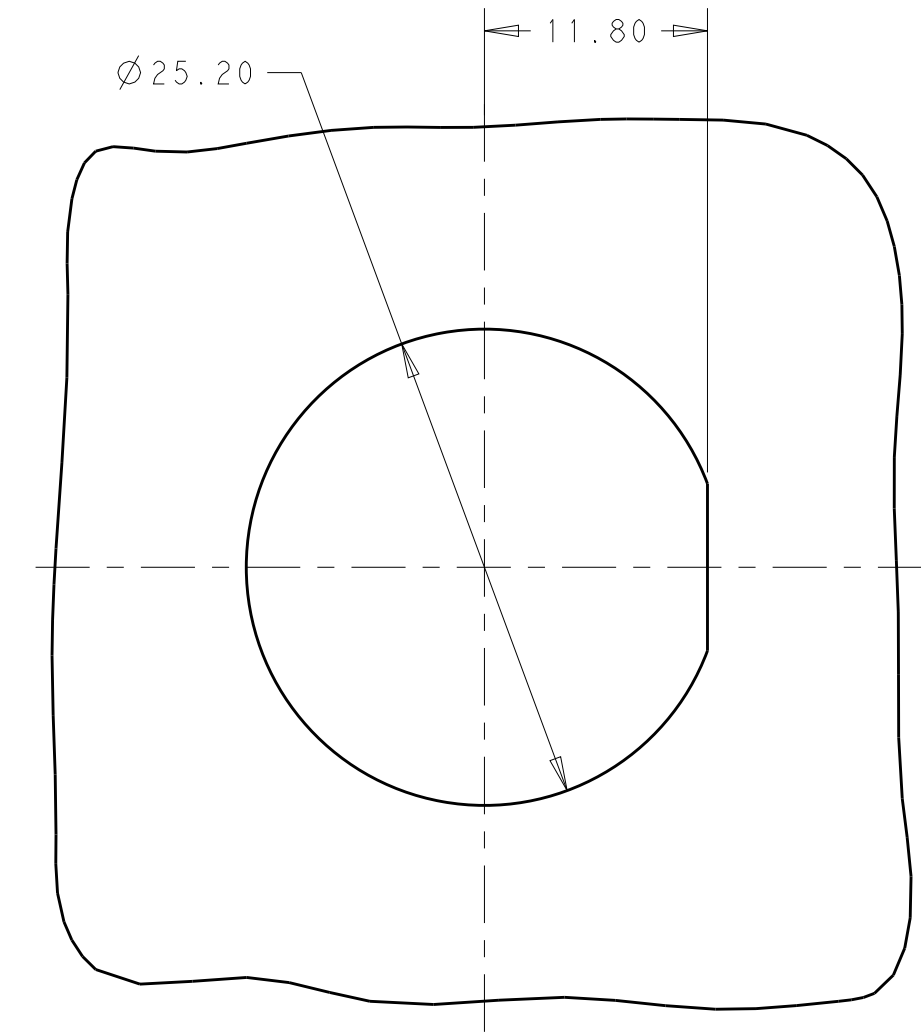
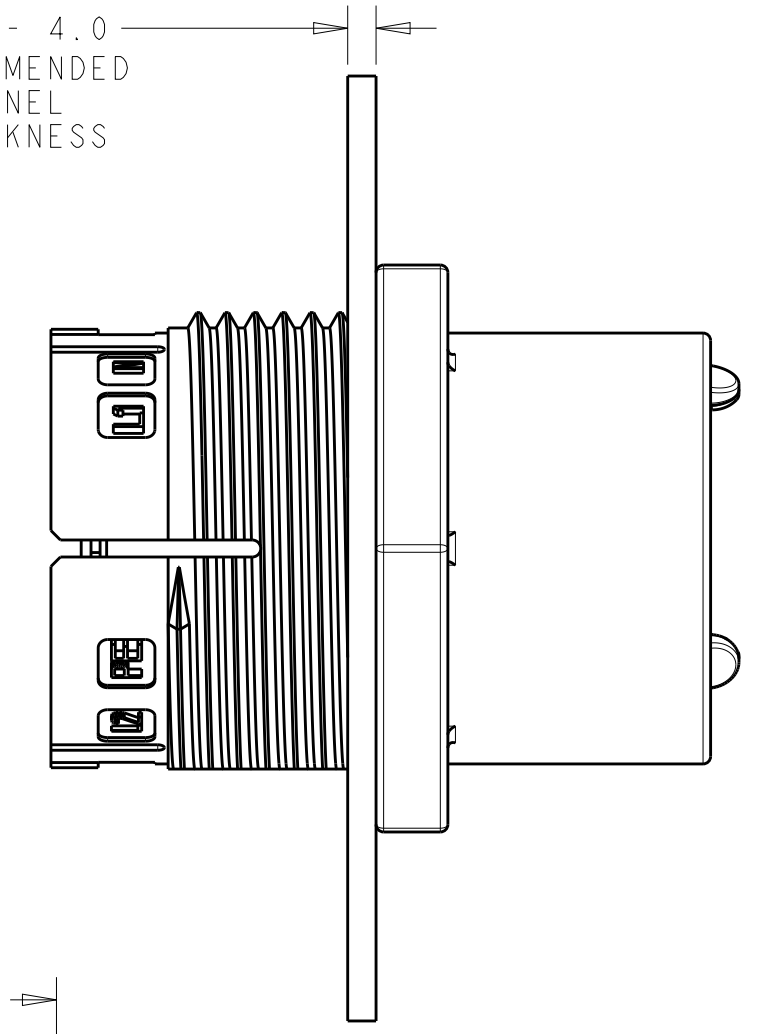
REVISIONS				
P	LTR	DESCRIPTION	DATE	APVD
-		SEE SHEET 1	-	-

POLARIZATION TYPES

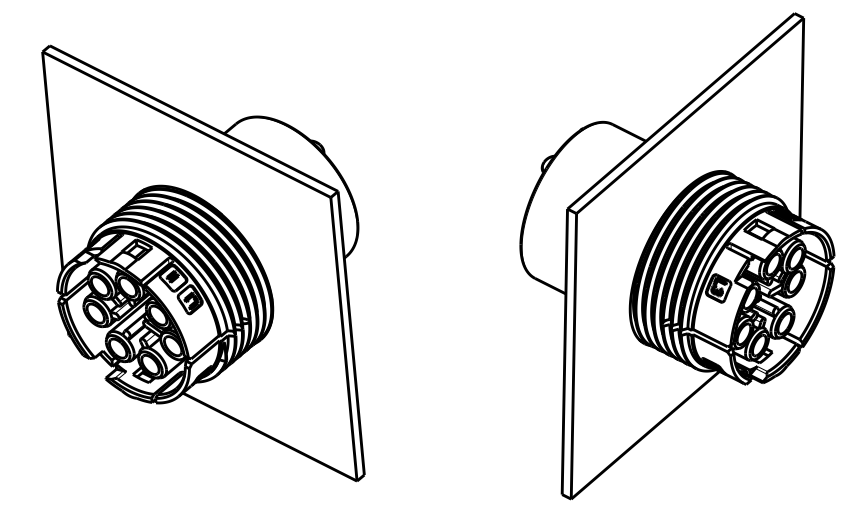
POLARIZATION TYPE "A"	POLARIZATION TYPE "B"	POLARIZATION TYPE "C"
		
PN: 2213263-1	PN: 2213263-2	PN: 2213263-3
POLARIZATION TYPE "D"	POLARIZATION TYPE "E"	
		
PN: 2213263-4	PN: 2213263-5	




1.5 - 4.0
RECOMMENDED
PANEL
THICKNESS



RECOMMENDED
PANEL CUTOUT
SCALE 5:2



3D VIEWS
FOR REFERENCE ONLY

THIS DRAWING IS A CONTROLLED DOCUMENT.		DWN J. SHAFFER 12NOV2013	 TE Connectivity	
		CHK M. LUKSIC 12NOV2013		
		APVD M. LUKSIC 12NOV2013	NAME PANEL MOUNT, SOCKET; SEALED NECTOR M, 7 POLE	
DIMENSIONS: mm		PRODUCT SPEC 108-133014	SIZE A2	
TOLERANCES UNLESS OTHERWISE SPECIFIED:		APPLICATION SPEC 114-32111	CAGE CODE -	
0 PLC ±		WEIGHT -	DRAWING NO G-2213263	
1 PLC ±0.2		RESTRICTED TO -		
2 PLC ±0.13		SCALE 2:1 SHEET 2 OF 2 REV B1		
3 PLC ±		CUSTOMER DRAWING		
4 PLC ±				
ANGLES ±				
FINISH -				
NOTE 1				

单击下面可查看定价，库存，交付和生命周期等信息

[>>TE Connectivity\(泰科\)](#)