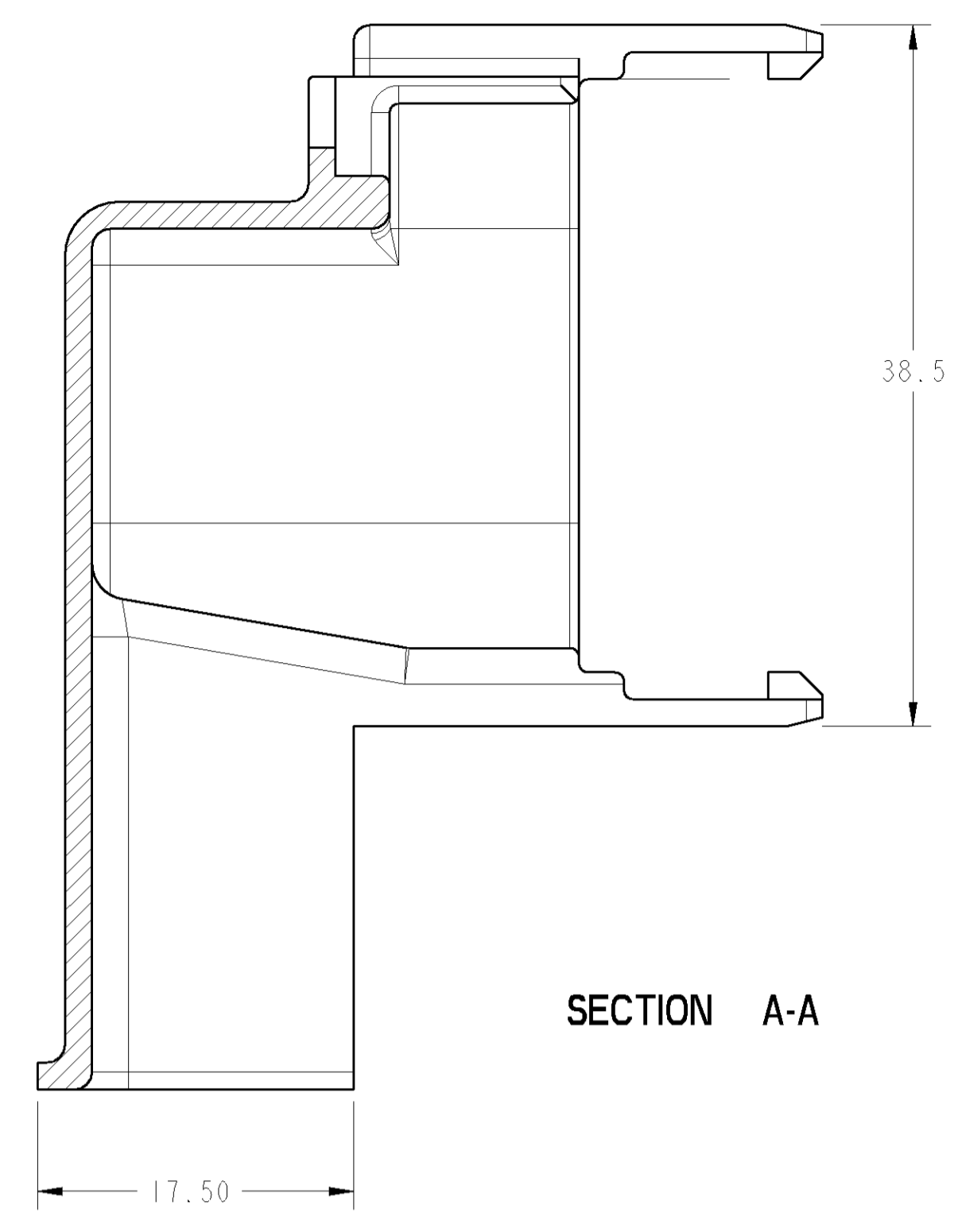
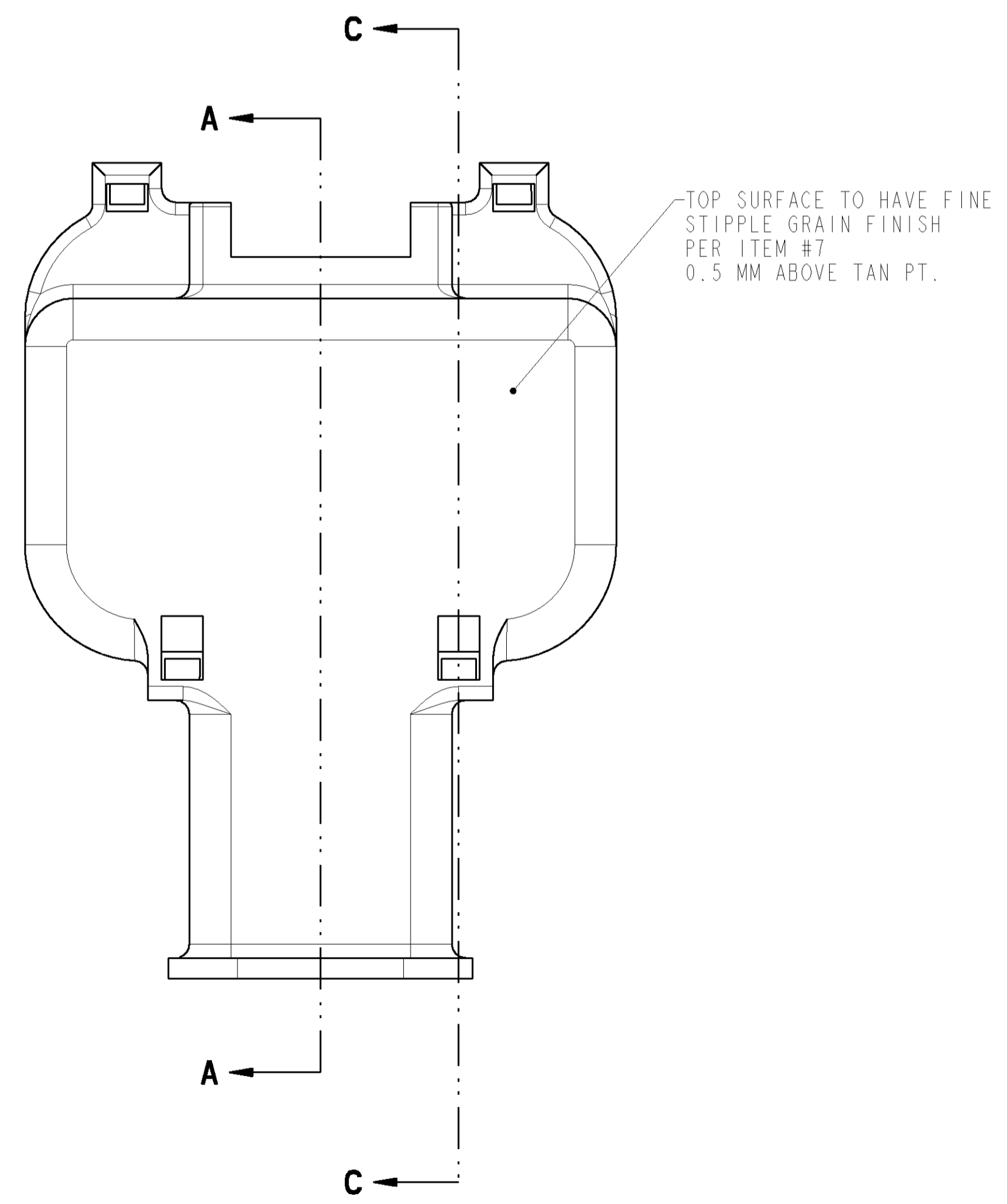
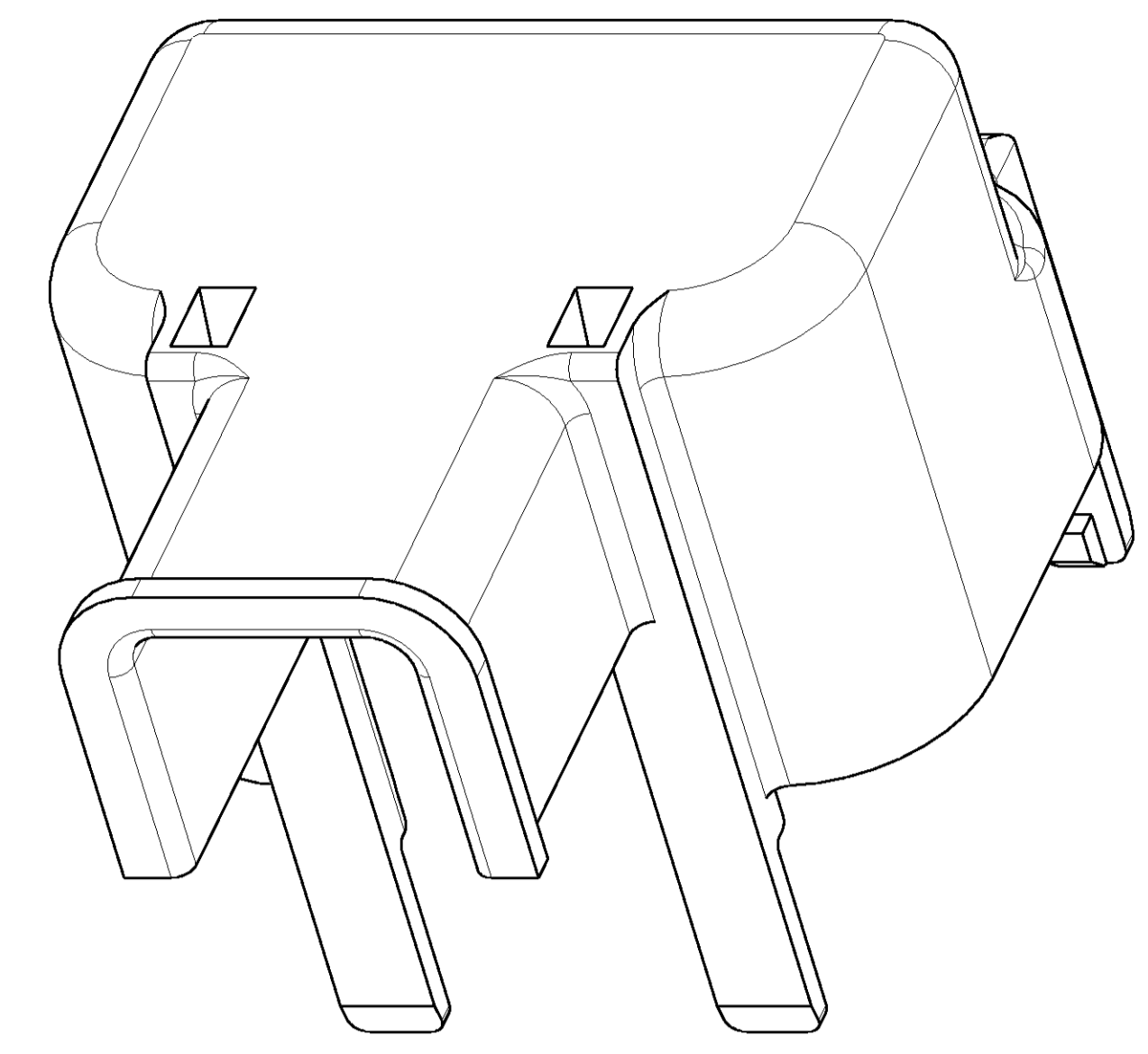
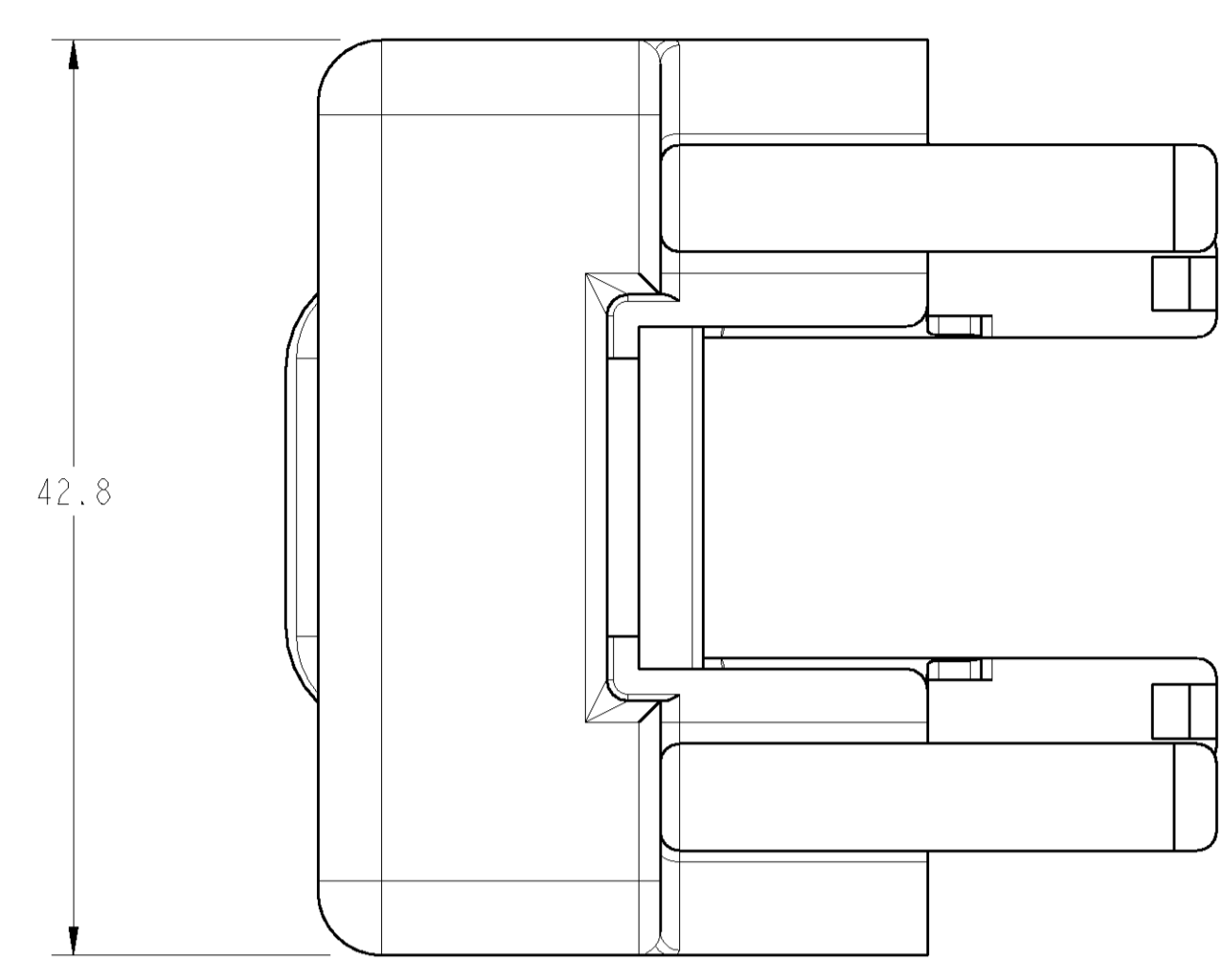


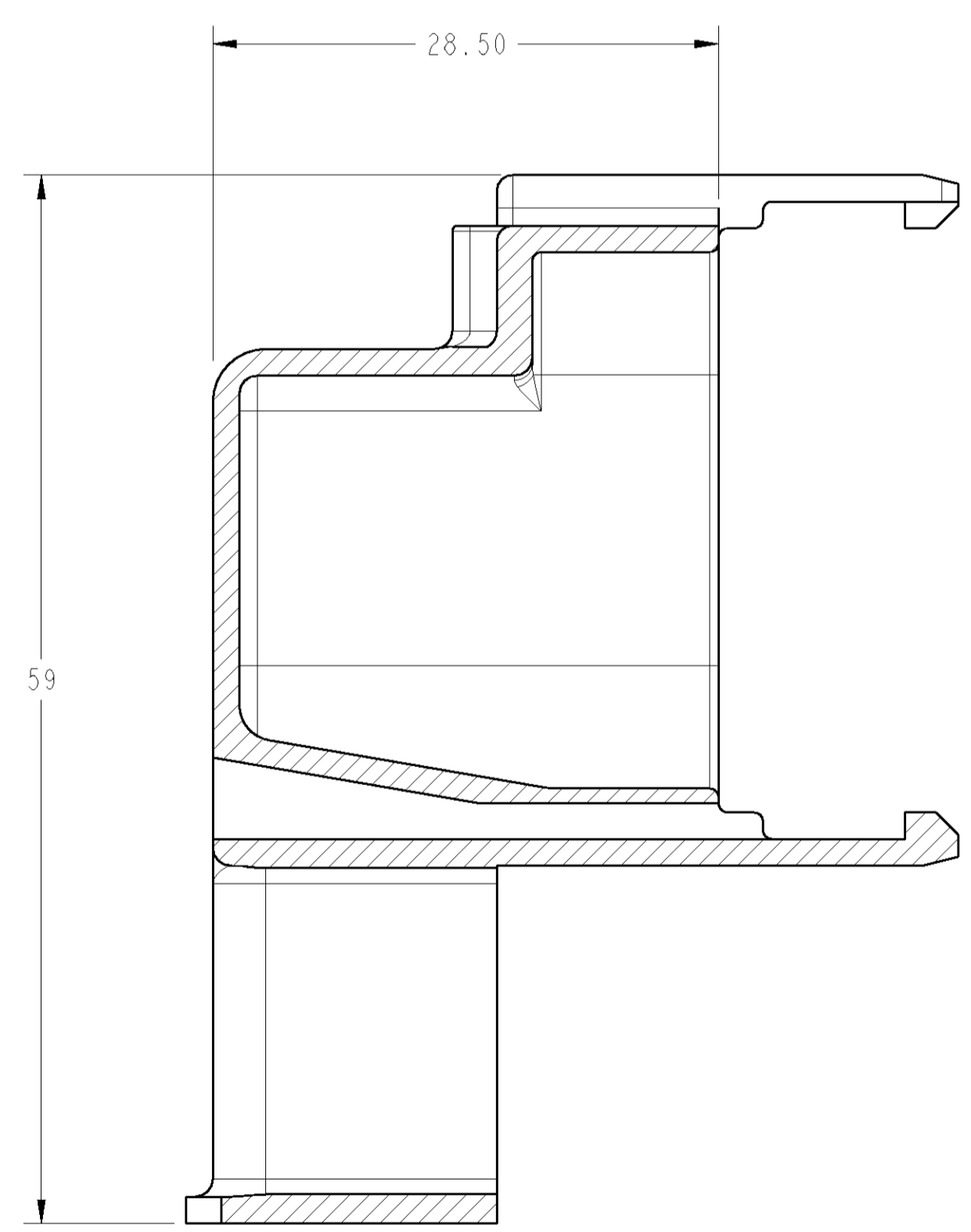
REV. NO.		REVISIONS				
LOC	DIST	P. LTR	DESCRIPTION	DATE	DWN	APVD
HK	00	A	INITIAL RELEASE - EC 0065-03	27MAR2002	SAK	RMP
		B	REVISED PER EC 0K40-0008-04	09FEB2004	DLD	JLT
		C	REVISED PER EC 0K40-0326-04	14OCT2004	DLD	KLC
		C1	REVISED PER EC 0K40-0379-04	03NOV2004	DLD	KLC



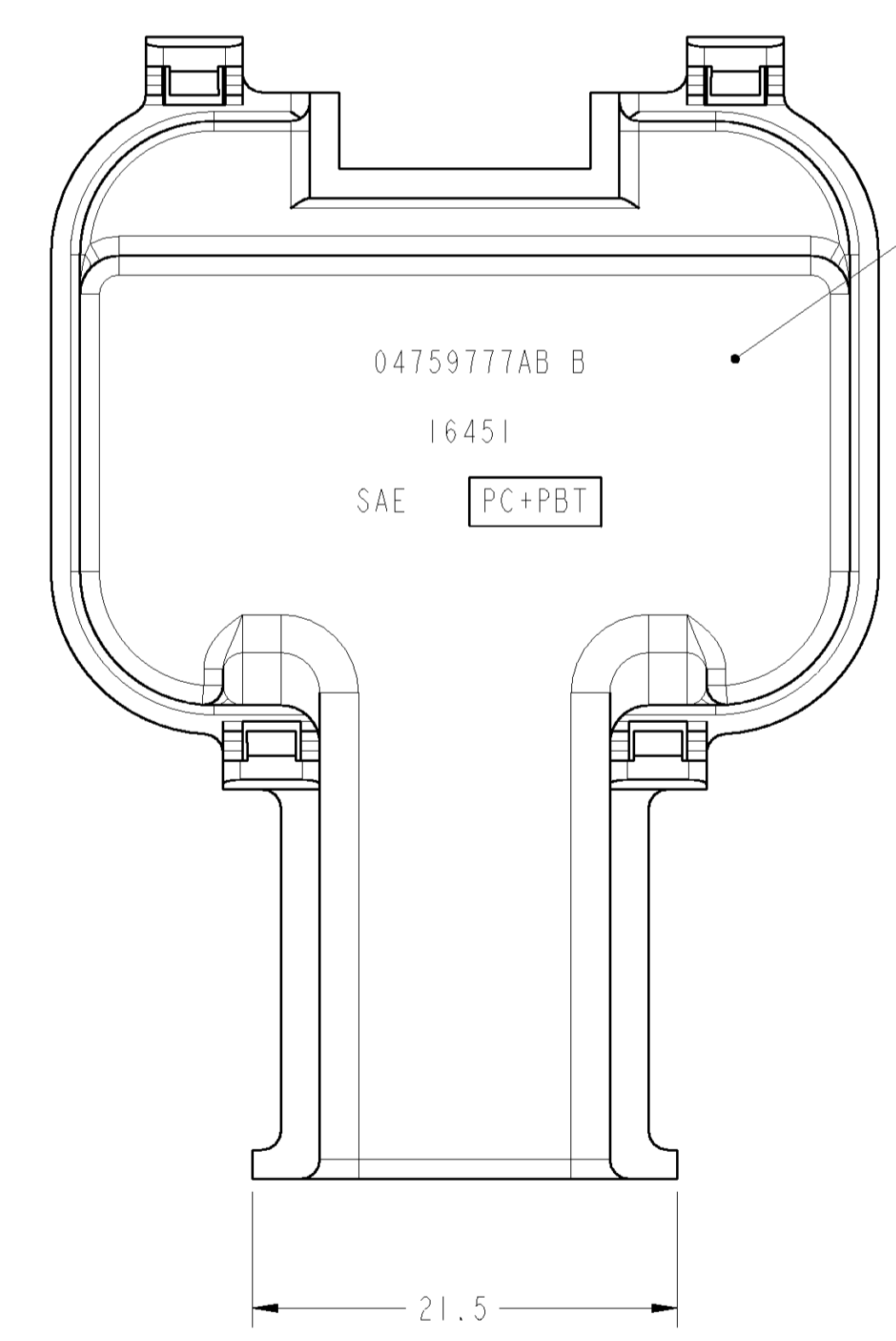
SECTION A-A



TOP SURFACE TO HAVE FINE STIPPLE GRAIN FINISH PER ITEM #7 0.5 MM ABOVE TAN PT.



SECTION C-C



VENDOR ID, MOLD CAVITY NO. AND CUSTOMER PART NO. WITH CUSTOMER REV LEVEL PER ITEM 2
 TOOLING NOTE: PART NO. WITH REV LEVEL MUST BE INSERTED

NOTES:

1. ALL DIMENSIONS TO SHARP CORNERS WITH A RADIUS ARE TAKEN FROM THEORETICAL SHARP CORNERS UNLESS EXPLICITLY SHOWN OTHERWISE.
2. MATERIAL: GE PLASTICS VALOX 508-BK1066.
3. TO BE USED WITH P/N 04759556AG, 04759557AG, 04759558AG, AND 04759559AG.
4. TYCO P/N 5-1437839-4. DAIMLER CHRYSLER P/N 04759777AB.

INFORMATION TO BE PRINTED ON INSIDE OF COVER			
TYCO PART NUMBER	5-1437839-4	CUSTOMER PART NUMBER	04759777AB
CUSTOMER REVISION LEVEL	B		

DIMENSIONS: mm		TOLERANCES UNLESS OTHERWISE SPECIFIED:		DWN S. KEENER 27MAR2002		Tyco Electronics Harrisburg, PA 17105-3608	
		0 PLC ±1.00 1 PLC ±0.50 2 PLC ±0.30 3 PLC ±0.10 4 PLC ±0.05 ANGLES ±0.05°		CHK R. PETROSKIT 27MAR2002 APVD R. PETROSKIT 27MAR2002		NAME: COVER DRESS NGC (RT ANGLE) NGC HEADER CONNECTION	
MATERIAL: SEE NOTES		FINISH: SEE NOTES		WEIGHT: -		RESTRICTED TO: -	
CUSTOMER DRAWING				SCALE: 3		SHEET 1 OF 1 REV C1	

单击下面可查看定价，库存，交付和生命周期等信息

[>>TE Connectivity\(泰科\)](#)