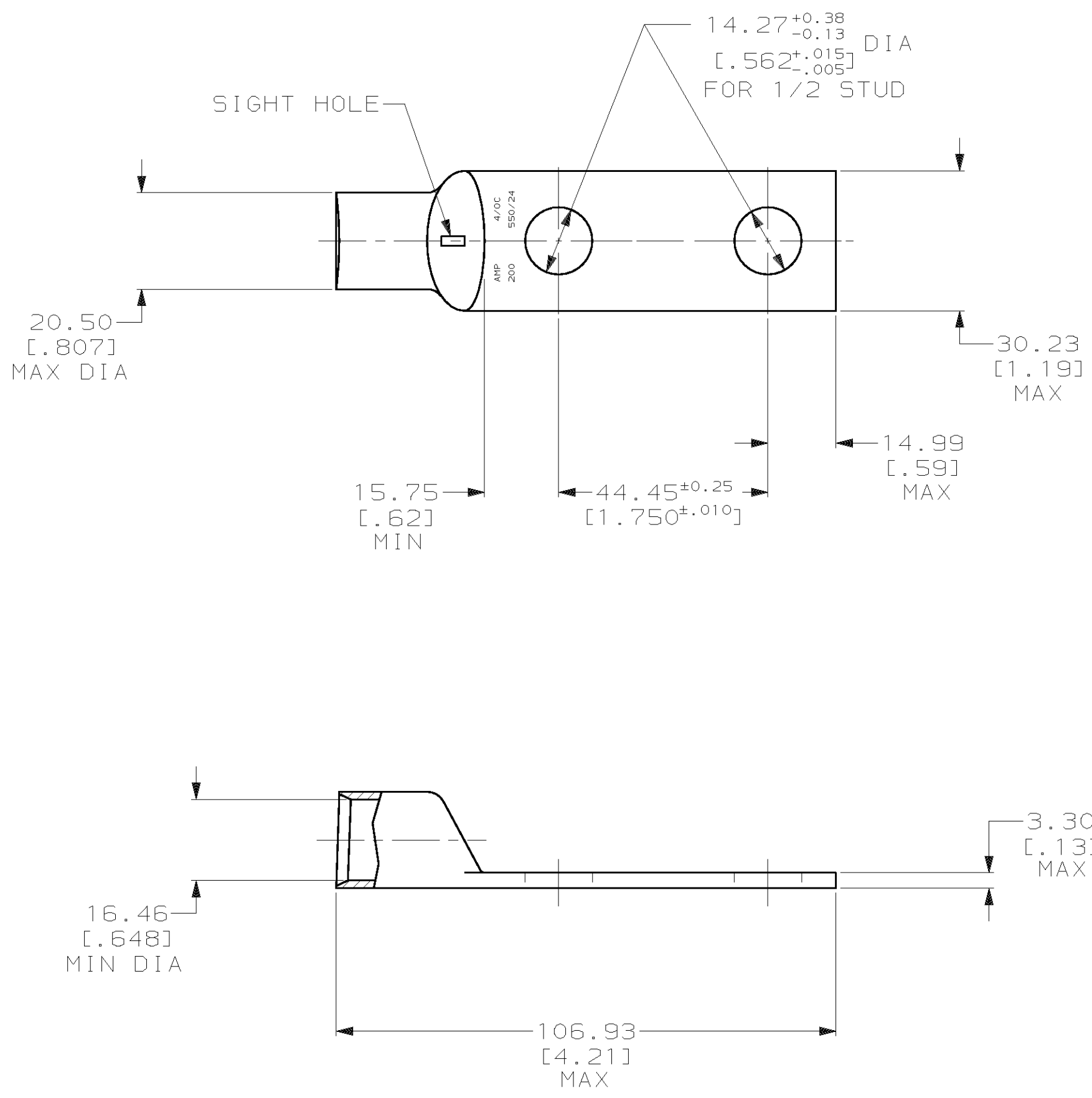


THIS DRAWING IS UNPUBLISHED. RELEASED FOR PUBLICATION, 19 .
 © COPYRIGHT 19 BY AMP INCORPORATED. ALL INTERNATIONAL RIGHTS RESERVED.

LOC	DIST	P	F	ZONE	LTR	DESCRIPTION	DATE	APPD
G	86				L	REV PER 0G3A-0561-01	09OCT02	JR/MS

- 1 CIRCULAR MIL RANGE: 190,000-231,000 CM
- ② TIN PLATE 0.00381 [.000150] MIN THK PER ASTM B 545.
- ③ CLEANED, UNPLATED



③	327284-2
②	327284
FINISH	PART NO

DO NOT SCALE PRINT. UNLESS SPECIFIED DIMENSIONS IN mm [INCHES] TOLERANCES ON : 2 PLC DEC ± - 3 PLC DEC ± - ANGLES ± -	DR 02/28/90 DK SCHRUM	AMP Incorporated Harrisburg, PA 17105-3608		
	CHK 8/10/92 AJ KAUFMAN			NAME
MATERIAL COPPER PER ASTM B-75 ANNEALED	APPD 8/10/92 RE ROSER	TERMINAL, AMPPOWER™ WIRE SIZE: 4/0 AWG		
FINISH SEE TABLE	APPD 8/10/92 JL MECKLEY			
THIS DRAWING IS A CONTROLLED DOCUMENT FOR AMP INCORPORATED. IT IS SUBJECT TO CHANGE AND THE CONTROLLING ENGINEERING ORGANIZATION SHOULD BE CONTACTED FOR THE LATEST REVISION.	APPLICATION SPEC	SIZE	CAGE CODE	DRAWING NO
	WEIGHT .164 LBS	-	③ 00779	③-327284
		SCALE 1:1		SHEET 1 OF 1

单击下面可查看定价，库存，交付和生命周期等信息

[>>TE Connectivity\(泰科\)](#)