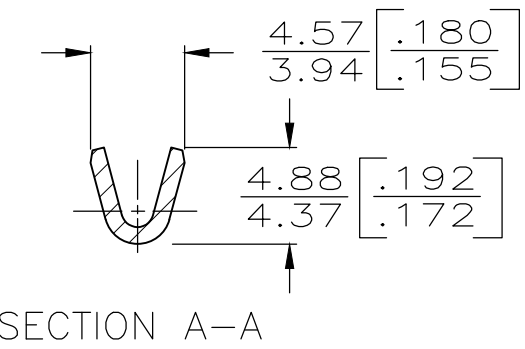
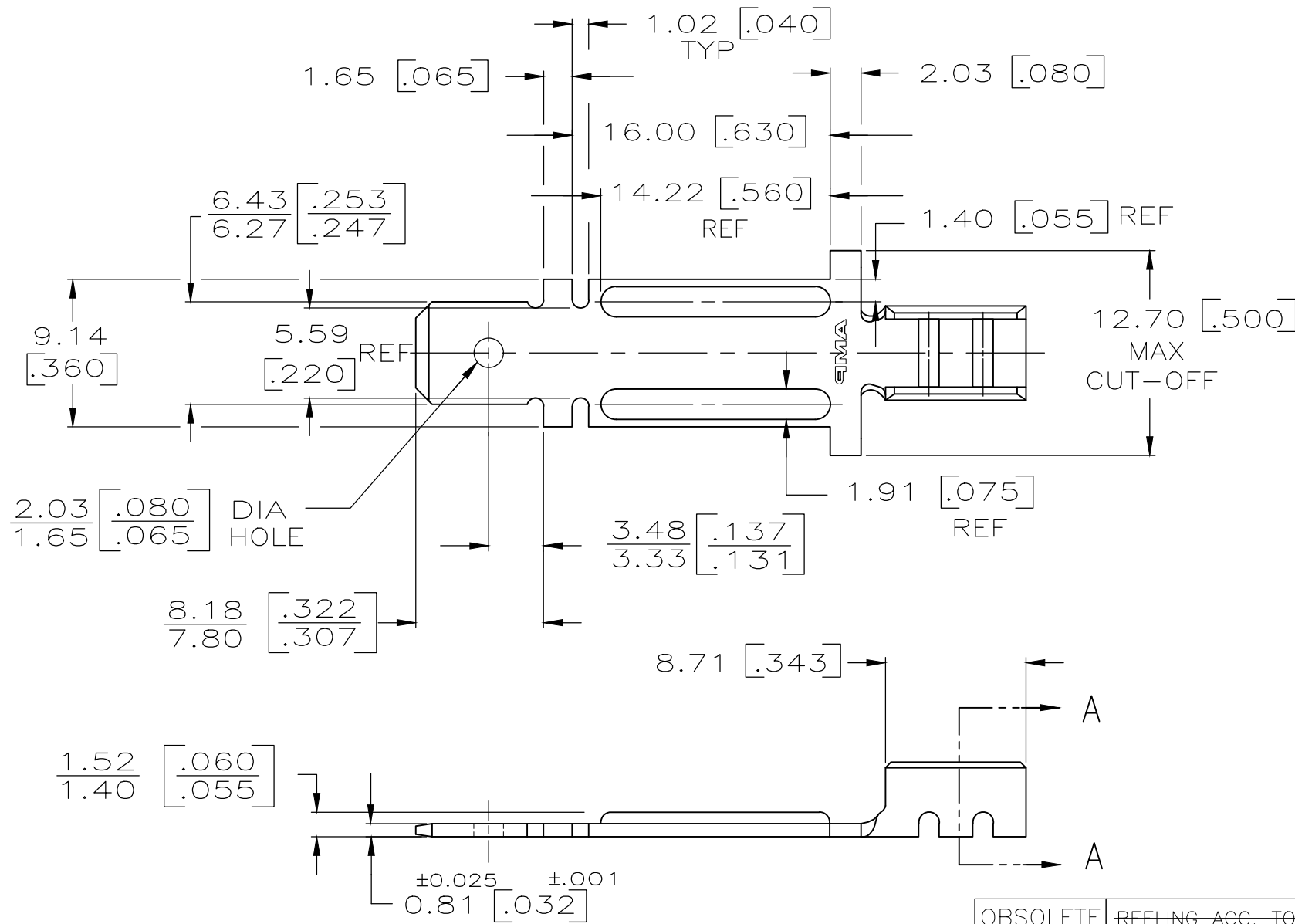


THIS DRAWING IS UNPUBLISHED. RELEASED FOR PUBLICATION  
 © COPYRIGHT - By - ALL RIGHTS RESERVED.

LOC	DIST	REVISIONS			
P	LTR	DESCRIPTION	DATE	DWN	APVD
AF	50				
	A2	REVISED PER ECR-19-018151	12NOV2020	AA	EW

- 1 DIMENSIONS IN BRACKETS ARE IN INCHES.
- 2 CONTINUOUS STRIP ON REELS.



OBSOLETE	REELING ACC. TO TE SPEC. 107-3 FIG. 1	[20 15] 0.81-1.45 MM DIA	63522-2
	REELING ACC. TO TE SPEC. 107-3 FIG. 3	[20-15] 0.81-1.45 MM DIA	63522-1
	REELING	WIRE SIZE	PART NUMBER

THIS DRAWING IS A CONTROLLED DOCUMENT.		DWN	JR RUTH	11/22/88											
DIMENSIONS: mm[INCHES]		CHK	M FEHER	11/23/88											
TOLERANCES UNLESS OTHERWISE SPECIFIED:		APVD	J GILLESPIE	11/28/88											
0 PLC ± - 1 PLC ± - 2 PLC ± - 3 PLC ± 0.25[.010] 4 PLC ± - ANGLES ± -		PRODUCT SPEC	NAME			TAB, NI-CHROME WIRE, .250 SERIES									
MATERIAL	CRS TEMP 2	FINISH	NICKEL .000100 MIN	APPLICATION SPEC	114-2097	SIZE	A3	CAGE CODE	00779	DRAWING NO	C-63522	RESTRICTED TO	-		
CUSTOMER DRAWING										SCALE	4:1	SHEET	1 OF 2	REV	A2

THIS DRAWING IS UNPUBLISHED.  
 RELEASED FOR PUBLICATION  
 ALL RIGHTS RESERVED.

© COPYRIGHT - By -

LOC	DIST	REVISIONS			
P	LTR	DESCRIPTION	DATE	DWN	APVD
AF	50	SEE SHEET 1	-	-	-

D

C

B

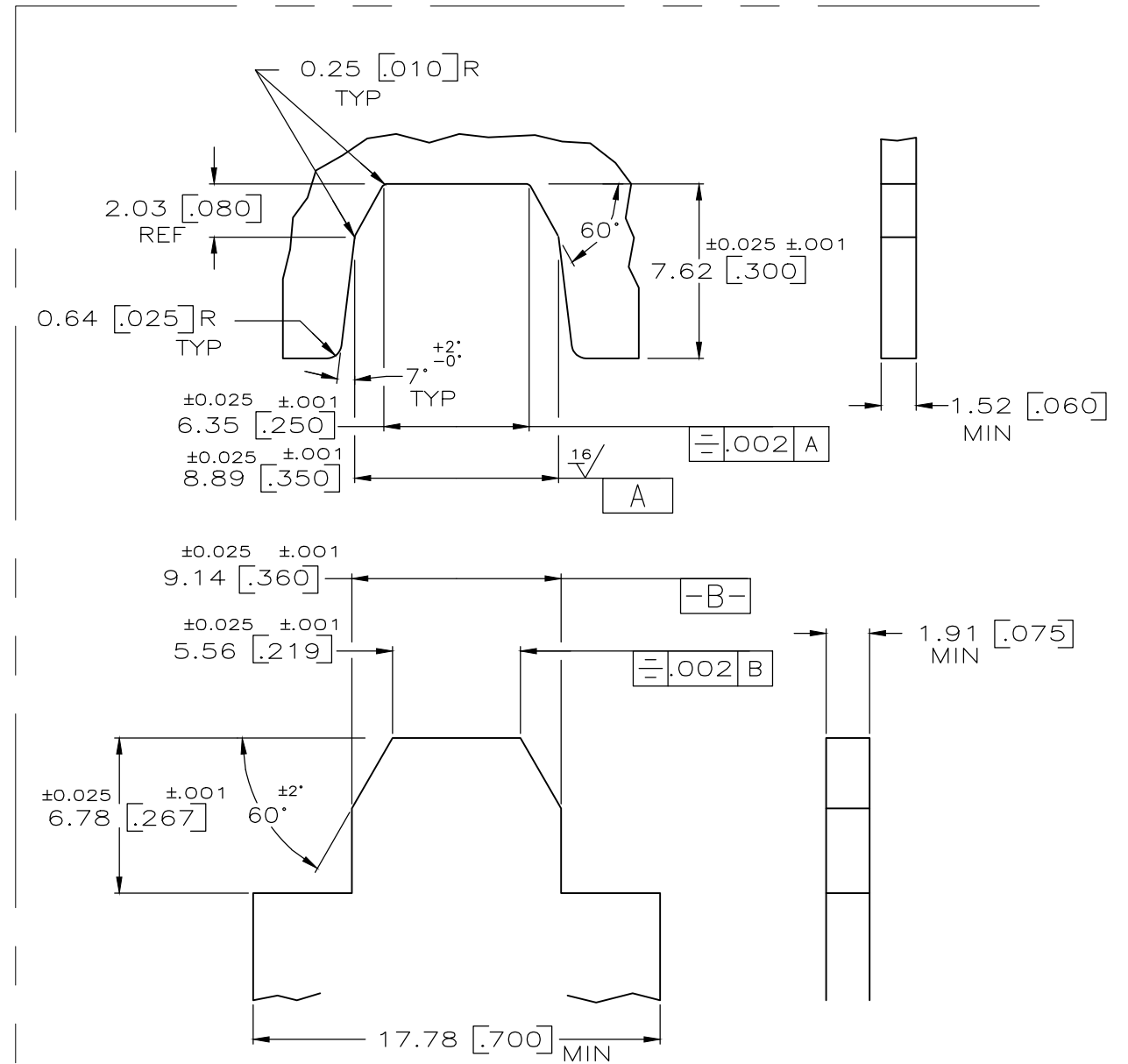
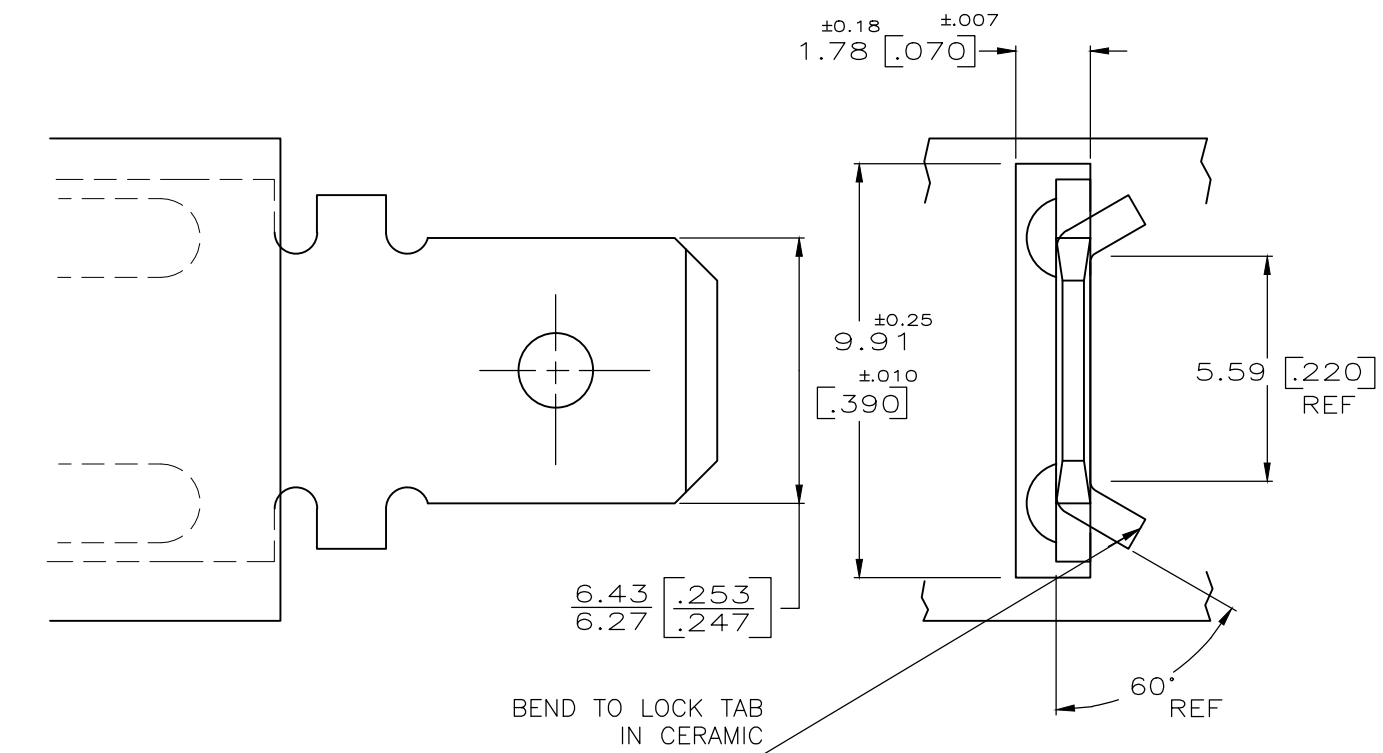
A

D

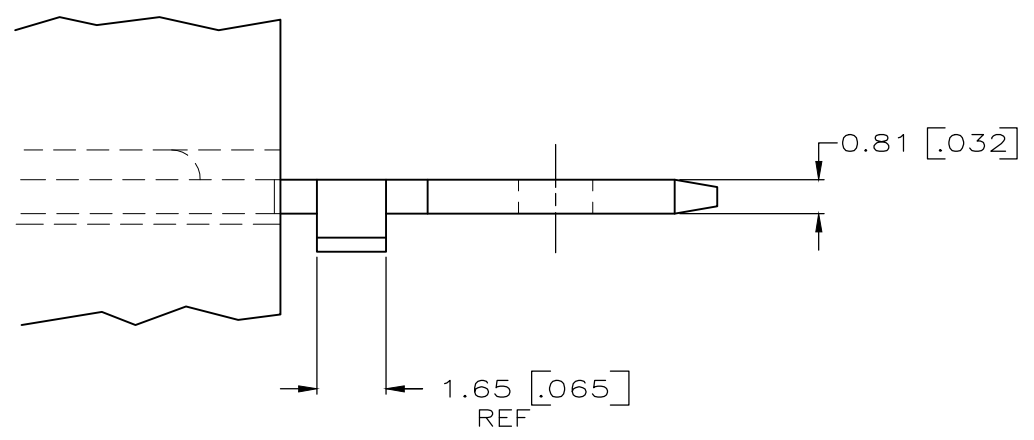
C

B

A



CLINCHERS  
 MATL: AISI 3250 Rc 53-55  
 TOLERANCES: ±0.13 ±[.005]



63522-2
63522-1
PART NUMBER

THIS DRAWING IS A CONTROLLED DOCUMENT.		DWN	JR RUTH	11/22/88	<b>STE</b> TE Connectivity		
DIMENSIONS: mm[INCHES]		CHK	M FEHER	11/23/88			
TOLERANCES UNLESS OTHERWISE SPECIFIED:		APVD	J GILLESPIE	11/28/88	NAME		
0 PLC	± -	PRODUCT SPEC		TAB, NI-CHROME WIRE, .250 SERIES			
1 PLC	± -	APPLICATION SPEC		SIZE			
2 PLC	± -	114-2097		CAGE CODE	DRAWING NO	RESTRICTED TO	
3 PLC	± 0.38[.015]	WEIGHT		A3	00779	C=63522	
4 PLC	± -	MATERIAL		CUSTOMER DRAWING			
ANGLES	± -	FINISH		SCALE	SHEET	REV	
	± -	CRS TEMP 2		6:1	2 of 2	A2	
	NICKEL .000100 MIN						

单击下面可查看定价，库存，交付和生命周期等信息

[>>TE Connectivity\(泰科\)](#)