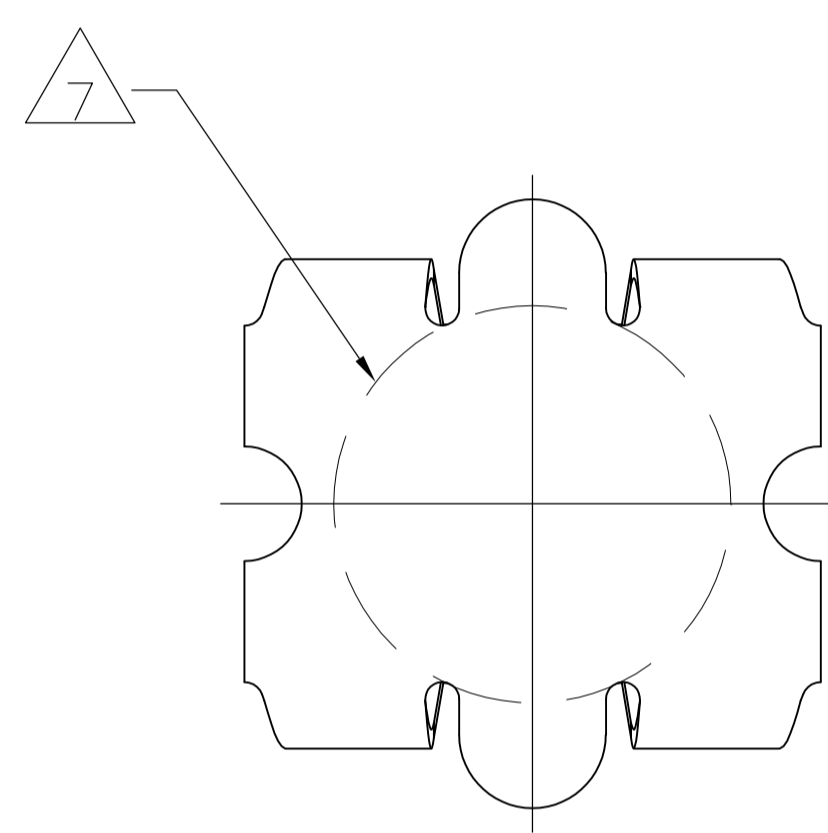
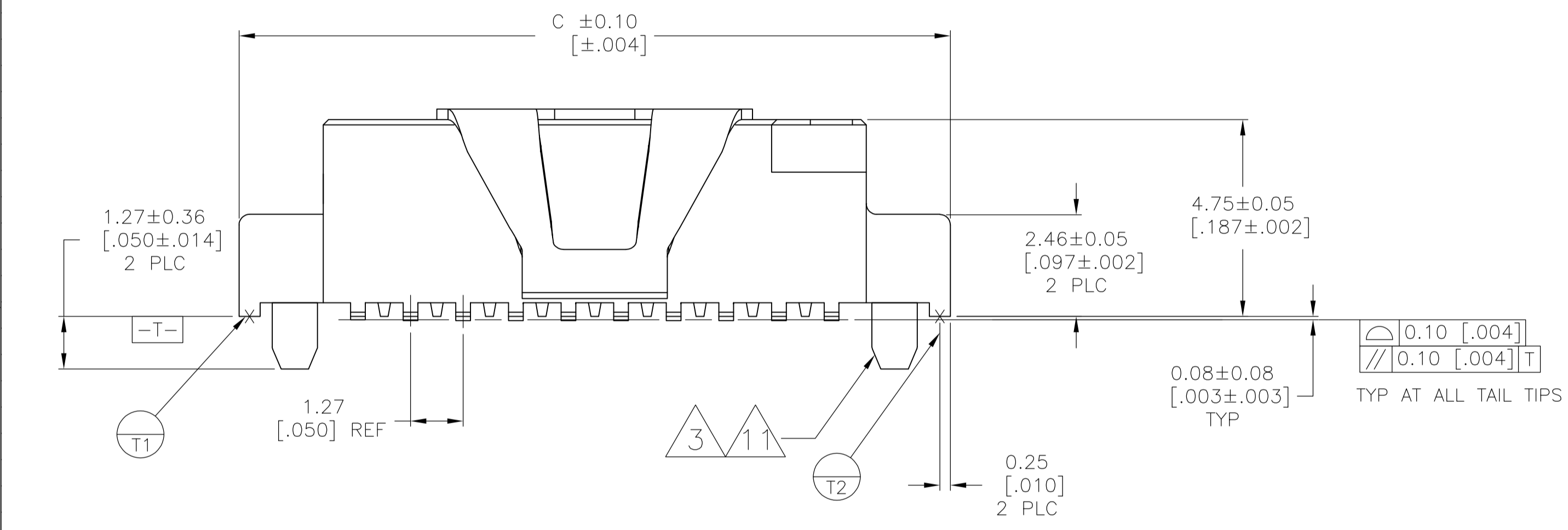
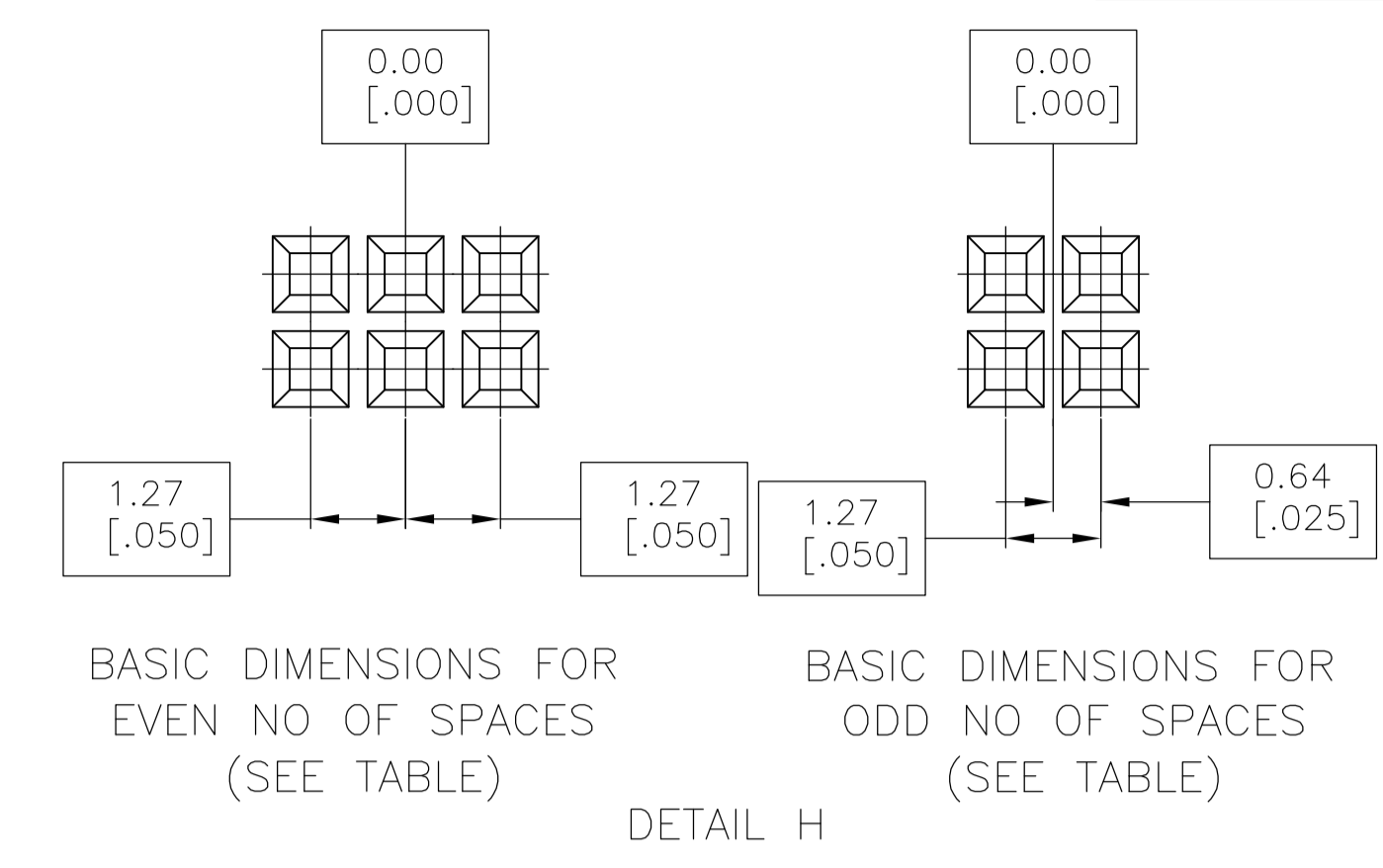
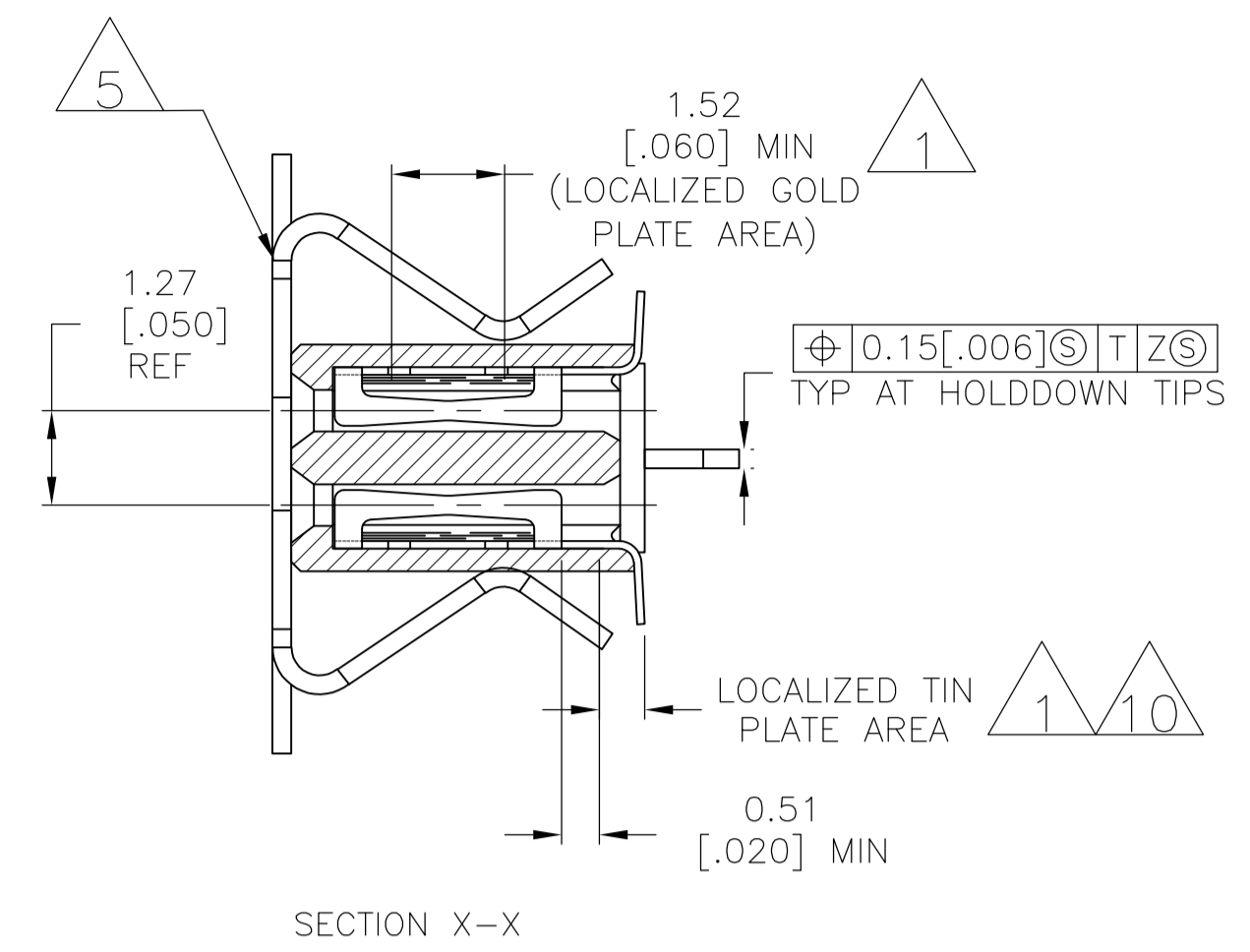
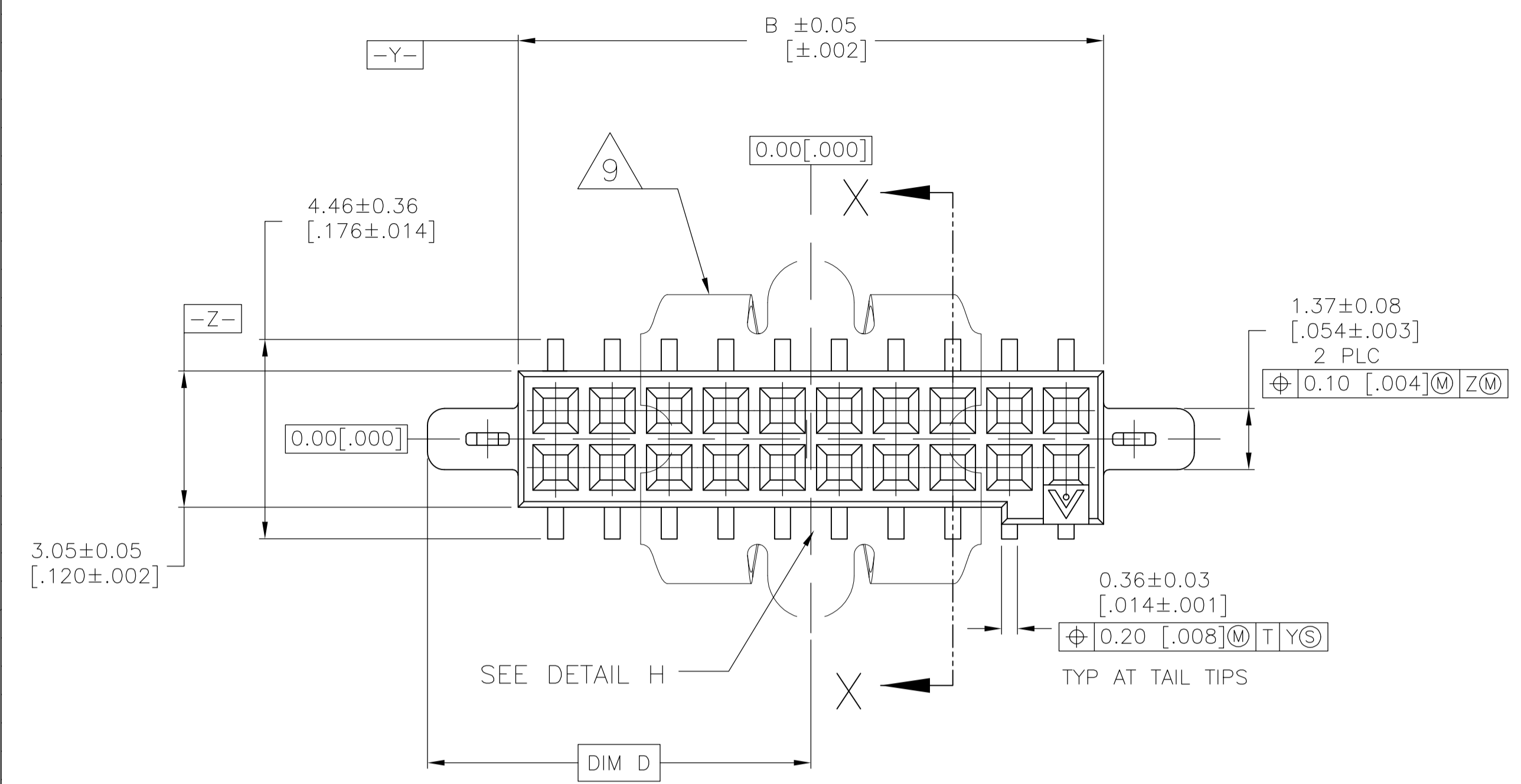
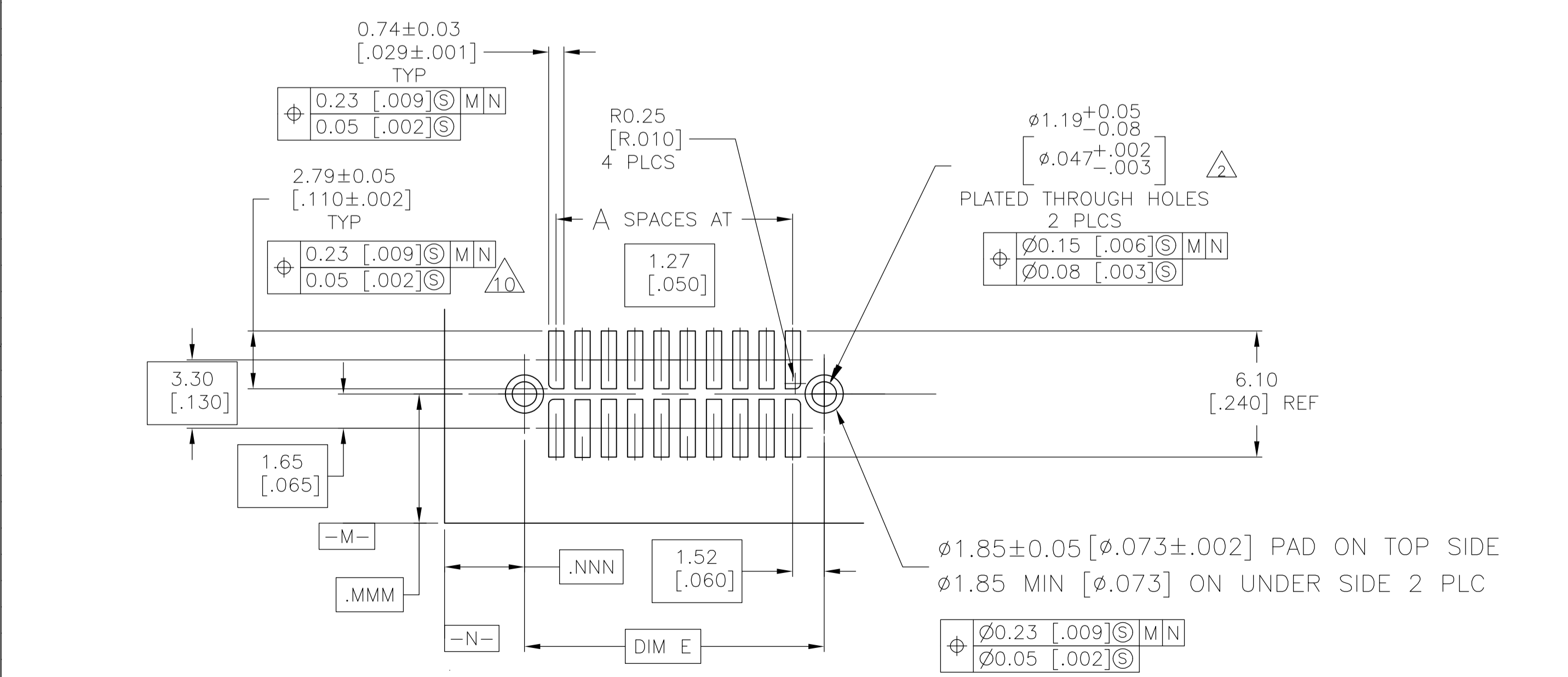


REVISONS		DATE	BY	APPV
D	EC 0G3C 0702 04	01DEC04	BSV	DLS
D1	REVISED PER ECO-10-000030	05JAN10	KK	AEG



- 1. 0.00076 [0.00030] GOLD IN LOCALIZED PLATE AREA
0.00381 [0.00150] TIN ON SOLDER TAILS
ALL OVER 0.00127 [0.00050] NICKEL
- 2. USE 1.32±0.02 [0.0520±0.0010] DRILLED HOLE (#55 DRILL)
WITH 0.00254(0.001) MIN COPPER
- 3. PLATING: 0.0038 [0.00150] TIN OVER 0.00127 [0.00050] NICKEL
- 4. IF PLANNING TO USE MORE THAN ONE MATING PAIR OF CONNECTORS
TO INTERCONNECT 2 BOARDS, PLEASE REFER TO PARA. 3.3 IN THE
APPLICATION SPEC, #114-7010
- 5. VACUUM COVER DESIGNED FOR 4.0 [0.160] DIA NOZZLE. VACUUM COVER TO BE REMOVED
AFTER SOLDERING.
- 6. PACKAGED IN EIA 481 TAPE AND REEL. SEE TABLE FOR TAPE WIDTHS.
- 7. 5.2 [0.205] MIN TARGET AREA FOR VACUUM PICK-UP.
- 8. HOUSING: LCP, COLOR-BLACK.
CONTACT: COPPER ALLOY PER ASTM SPECIFICATION B422.
LOCATOR: COPPER ALLOY PER ASTM SPECIFICATION B194
VACUUM COVER: ALUMINUM ALLOY PER ASTM SPECIFICATION 209.
- 9. VACUUM COVER SHOWN IN PHANTOM LINE.
- 10. 0.00076(0.00030) GOLD IN LOCALIZED GOLD PLATE AREA, 0.00381(0.00150)
TIN ON SOLDER TAILS, ALL OVER 0.00127 (0.00050) NICKEL.
- 11. PLATING 0.00381(0.00150) TIN OVER
0.00127(0.00050) NICKEL.
- 12. OBSOLETE PARTS: OBSOLETE CIS STREAMLINING PER D.RENAUD/D.SINISI



	72 mm	46.23 [1.820]	23.11 [0.910]	48.92 [1.926]	44.86 [1.766]	34	70	10-5-147427-2
12 OBSOLETE	56 mm	39.88 [1.570]	19.94 [0.785]	42.57 [1.676]	38.51 [1.516]	29	60	10-5-147427-1
	72 mm	46.23 [1.820]	23.11 [0.910]	48.92 [1.926]	44.86 [1.766]	34	70	147427-2
	56 mm	39.88 [1.570]	19.94 [0.785]	42.57 [1.676]	38.51 [1.516]	29	60	147427-1
	TAPE WIDTH	E	D	C	B	A	NO OF POS	PART NUMBER

RECOMMENDED BOARD LAYOUT
SCALE 5:1

THIS DRAWING IS A CONTROLLED DOCUMENT.

BY: HAYMAKER 06FEB01
CHK: J. MOSIER 11SEP00
APPV: J. MOSIER 11SEP00

Tyco Electronics Corporation
Harrisburg, Pa 17105-3608

ASSEMBLY, RECEPTACLE, VERTICAL, DOUBLE ROW, SURFACE MOUNT, AMPMODU 50/50 GRID CONNECTOR

SIZE: A1 CAGE CODE: 00779 DRAWING NO: 147427

CUSTOMER DRAWING SCALE: 10:1 SHEET: 1 OF 1 REV: D1

单击下面可查看定价，库存，交付和生命周期等信息

[>>TE Connectivity\(泰科\)](#)