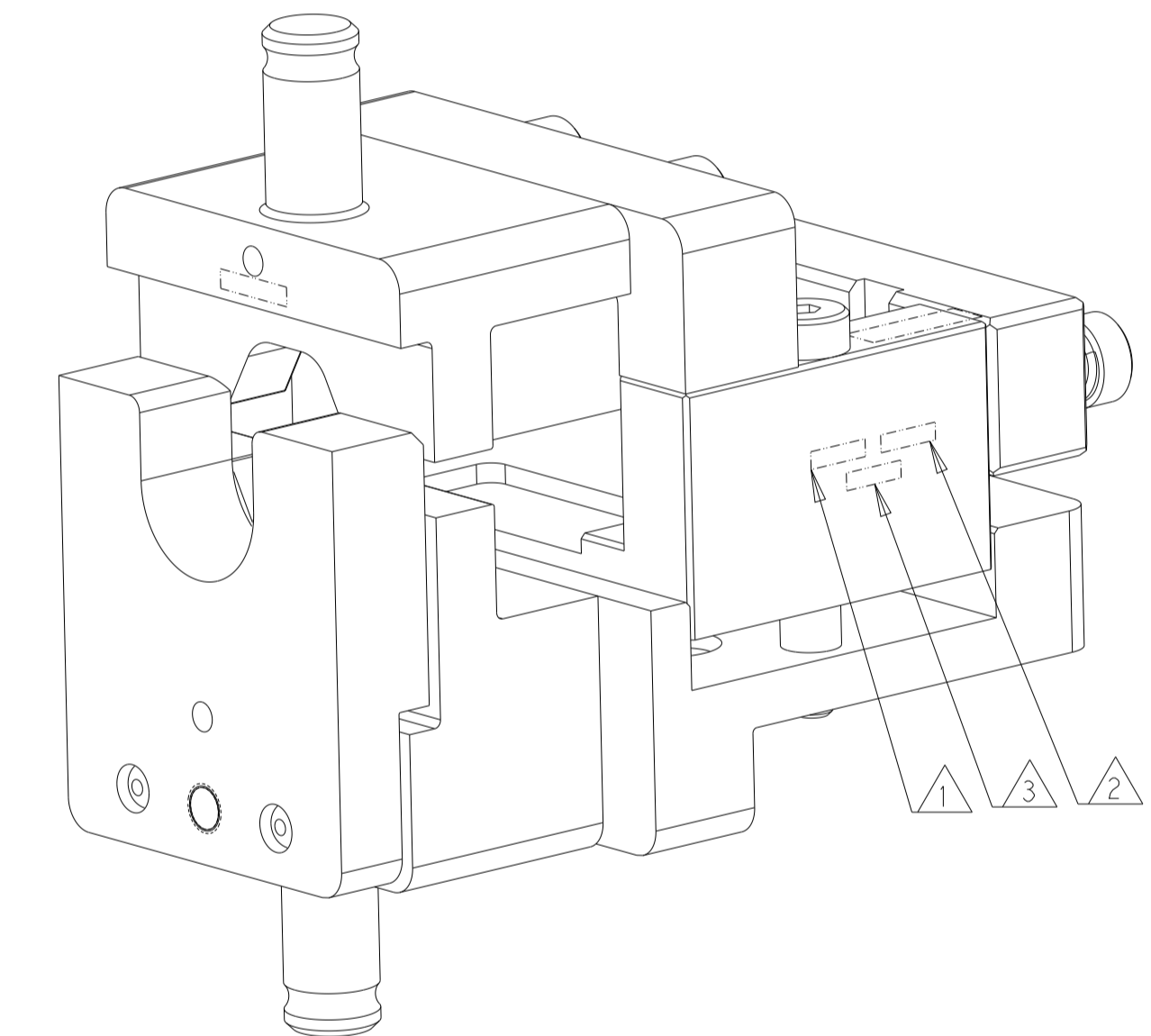
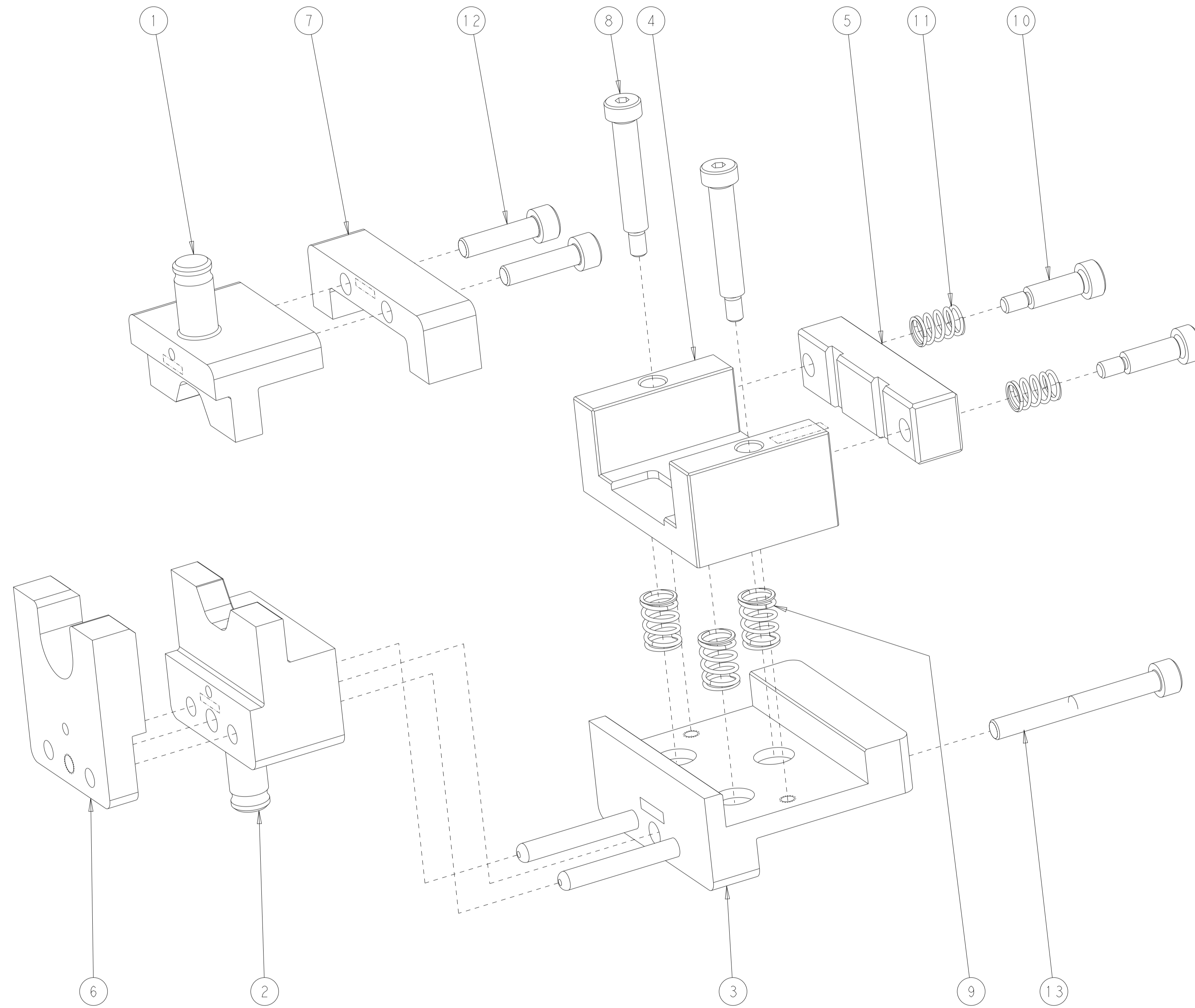


PART NUMBER	REV	DESCRIPTION
2396873-1	A	HV DIE SET
7-2396873-7	A	CRIMP TOOLING KIT
9-2396873-1	A	DIE SET WITH DIE HOLDER

REVISIONS				
REV	DATE	DESCRIPTION	BY	CHK
A	26 JAN 2022	RELEASED	LG	TE

TERMINAL NAME	OUTER FERRULE HVA630-5P MULTI-CORE		
TERMINAL PART NUMBER	1-2141261-1	1-2141617-1	2141616-1
APPLICATION SPECIFICATION	114-94114		
USED ON	2305470-1	2326378-1	
INSTRUCTION SHEET	408-35244		

CABLE SUPPLIER/SPECIFICATION	CABLE SIZE	CRIMP HEIGHT	CRIMP HEIGHT REFERENCE SETTING
COROPLAST FHLR2GCB2G	5 X 6.0mm ²	16.25±0.1	B4
	4 X 6.0mm ²		
	3 X 6.0mm ²		
	4 X 4.0mm ²		
	3 X 4.0mm ²		
LEONI FHLR2GCB2G	4 X 6.0mm ²		
	3 X 6.0mm ²		



1	-	-	2305470-1	HV DIE HOLDER WITH FINE ADJUST	100
1	-	1	8-18023-5	SCR, SKT HD CAP M5 X 45.0	13
2	-	2	2-18023-1	SCR, SKT HD CAP M5 X 20.0	12
2	-	2	2-22281-0	SPRING, COMPRESSION	11
2	-	2	1-2168419-4	BOLT, M4 X 7, 5.5 DIA X 15 SHLD	10
3	-	3	2-22282-7	SPRING, COMPRESSION	9
2	-	2	2-2168419-2	BOLT, M4 X 7, 6 DIA X 30 SHLD	8
1	-	1	2-2234129-0	TERMINAL HOLD DOWN	7
1	-	1	1-2234127-6	REAR LOCATOR, FERRULE	6
1	-	1	2375076-5	STOP, TERMINAL	5
1	-	1	2393542-2	FERRULE LOCATOR	4
1	-	1	2365901-7	HOUSING, LOCATOR	3
1	1	1	2361399-6	NEST HVM HEX	2
1	1	1	2361398-7	CRIMPER HVM HEX	1
-91	-77	-1	PART NO	DESCRIPTION	ITEM NO

- ① APPLY "DIE SET PN" PER TEC-115-67-2 IN APPROXIMATE AREA SHOWN.
- ② IDENTIFY PART NUMBER AND REVISION LETTER PER TEC-115-67-2 IN APPROXIMATE AREA SHOWN.
- ③ IDENTIFY SERIAL NUMBER PER TEC-115-67-2 IN APPROXIMATE AREA SHOWN.
- 4. TORQUE RECOMMENDATIONS PER 101-35000 UNLESS OTHERWISE SPECIFIED.

THIS DRAWING IS A CONTROLLED DOCUMENT.		OWN	J.L.I.	17NOV2021	 TE Connectivity
DIMENSIONS:		CHK	J.L.I.	17NOV2021	
MM		APVD	Y.YIN	17NOV2021	
TOLERANCES UNLESS OTHERWISE SPECIFIED:		NAME			
0 PLC	±	DIE SET HVA630-5P F			
1 PLC	±	3-4X4-6MM2			
2 PLC	±	-			
3 PLC	±	-			
4 PLC	±	-			
ANGLES	±	-			
FINISH	±	-			
MATERIAL	-	SIZE	CAGE CODE	DRAWING NO	RESTRICTED TO
-	-	A	00779	2396873	-
Customer Accessible Production Drawing		SCALE	1:1	SHEET	1 OF 1
		REV	A		

单击下面可查看定价，库存，交付和生命周期等信息

[>>TE Connectivity\(泰科\)](#)