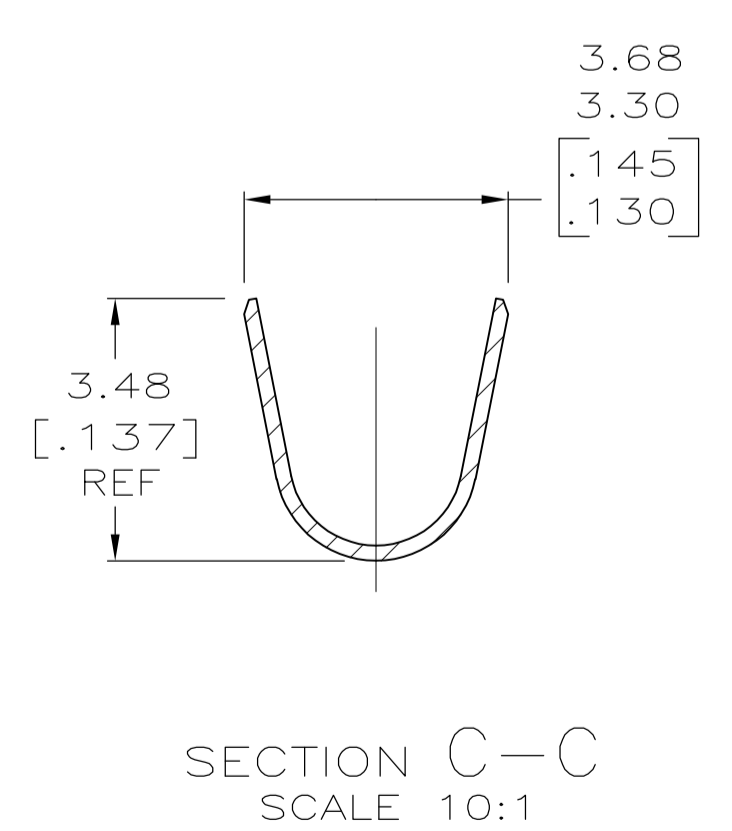
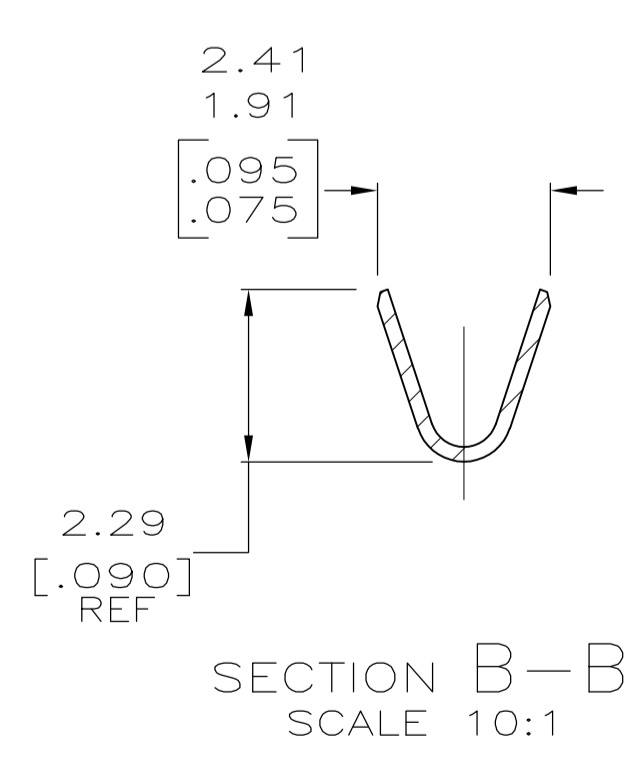
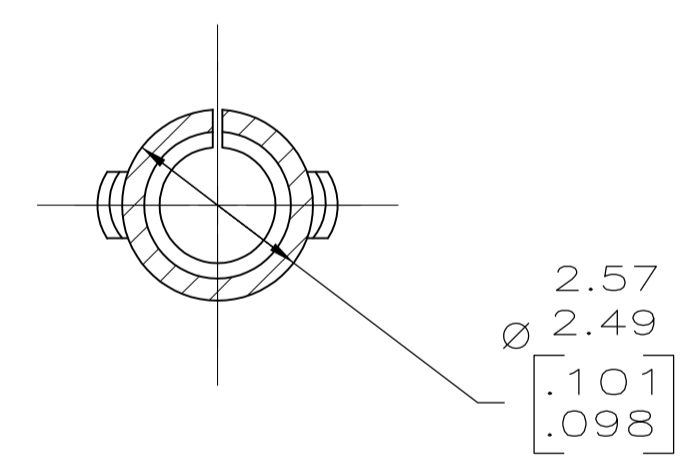
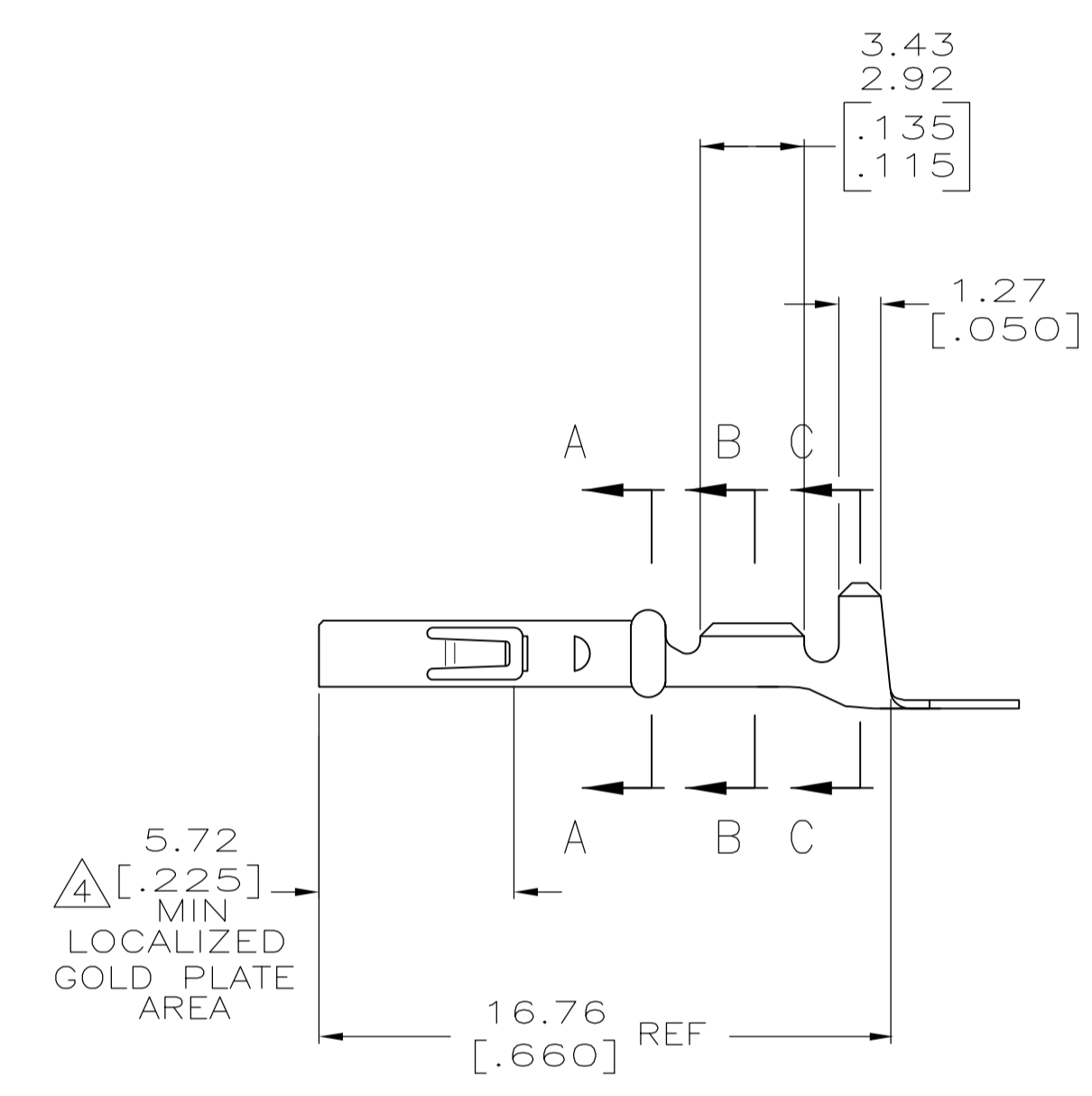
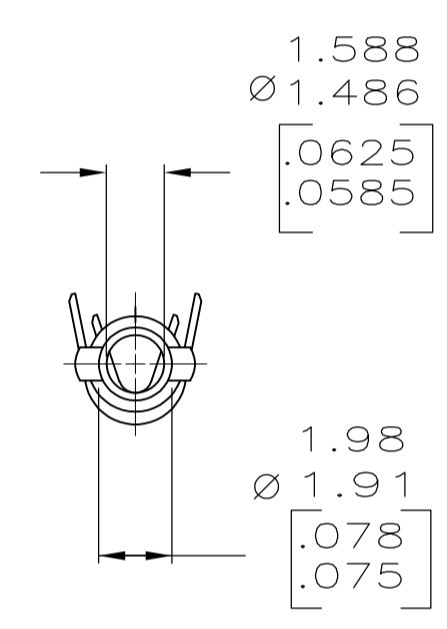
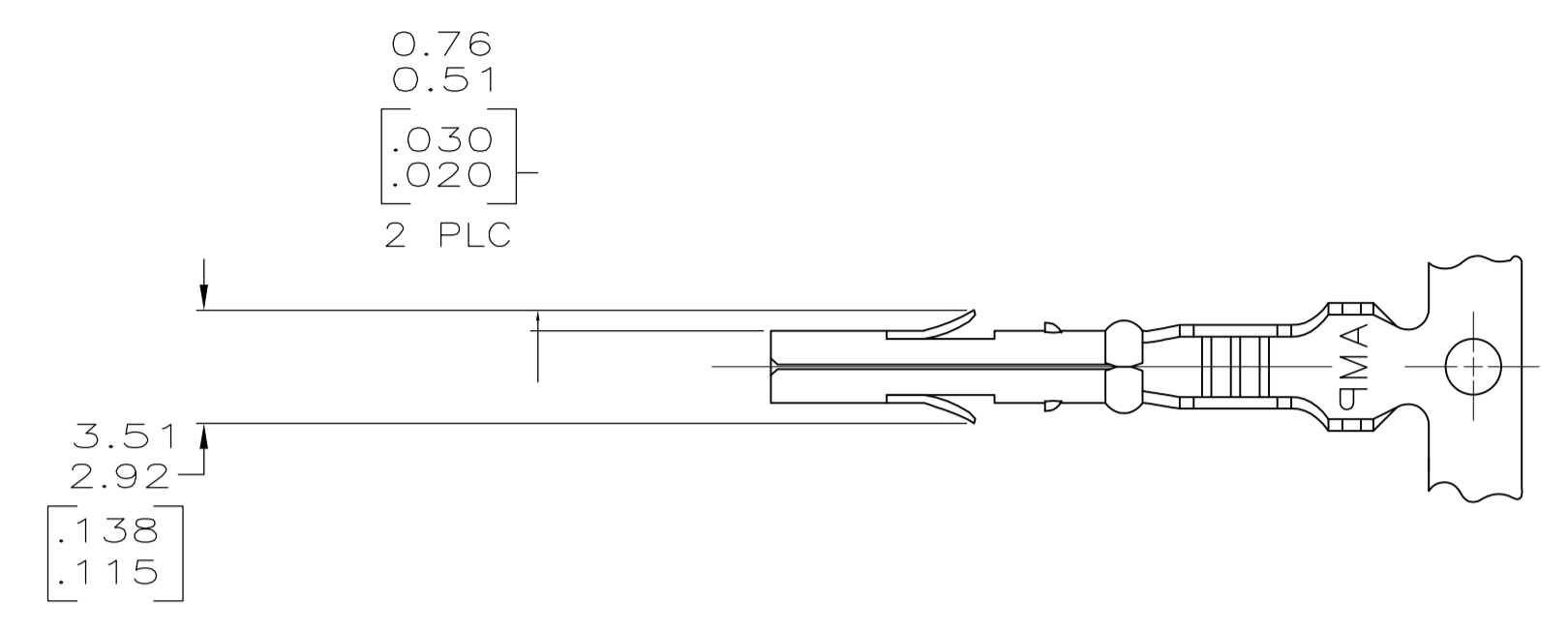


LOC		DIST		REVISIONS			
P	LTR	DESCRIPTION	DATE	DMN	APVD		
E2		REVISED PER ECO-11-004820	11MAR11	RK	HMR		

- 1 WIRE RANGE: 0.12-0.9mm² (26-18 AWG).
- 2 INSULATION RANGE: 1.27-2.92 [.050-.115] MAX. DIA.
- 3 DIMENSIONS IN BRACKETS ARE IN INCHES.
- 4 Δ PLATE INTERNALLY WITH 0.00076 [.000030] MIN GOLD IN THE LOCALIZED GOLD PLATE AREA, GOLD FLASH ON THE REMAINDER, OVER 0.00127 [.000050] MIN NICKEL UNDERPLATE.



Δ GOLD STRIPE	0.20 [.008] PHOS BRZ	641294-2
PRE-TIN	0.20 [.008] PHOS BRZ	641294-1
FINISH	MATERIAL	PART NO

DIMENSIONS:		TOLERANCES UNLESS OTHERWISE SPECIFIED:		DIN	
mm	[INCHES]			9-28-94	9-28-94
0 PLC	± -	0 PLC	± -	DRN	K. SALMON
1 PLC	± -	1 PLC	± -	CHK	R. SWING
2 PLC	± -	2 PLC	± -	APVD	
3 PLC	± 0.13 [.005]	3 PLC	± 0.13 [.005]	NAME	
4 PLC	± -	4 PLC	± -	MR RECEPTACLE	
ANGLES	± -	APPLICATION SPEC		SIZE	
FINISH		FINISH		CAGE CODE	
SEE TABLE		SEE TABLE		DRAWING NO	
				A1 00779	
				DRAWING NO	
				641294	
				RESTRICTED TO	
				-	
				WEIGHT	
				-	
				CUSTOMER DRAWING	
				SCALE	
				5:1	
				SHEET	
				1 OF 1	
				REV	
				E2	

METRIC

单击下面可查看定价，库存，交付和生命周期等信息

[>>TE Connectivity\(泰科\)](#)