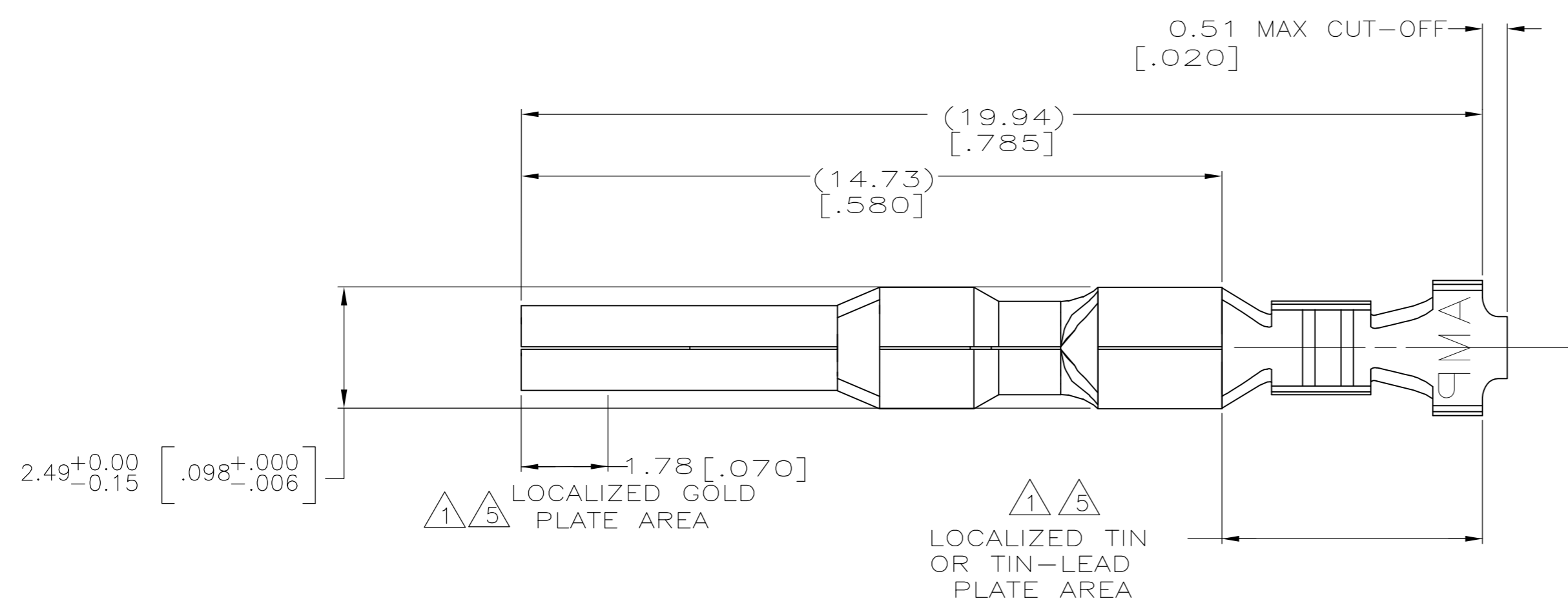
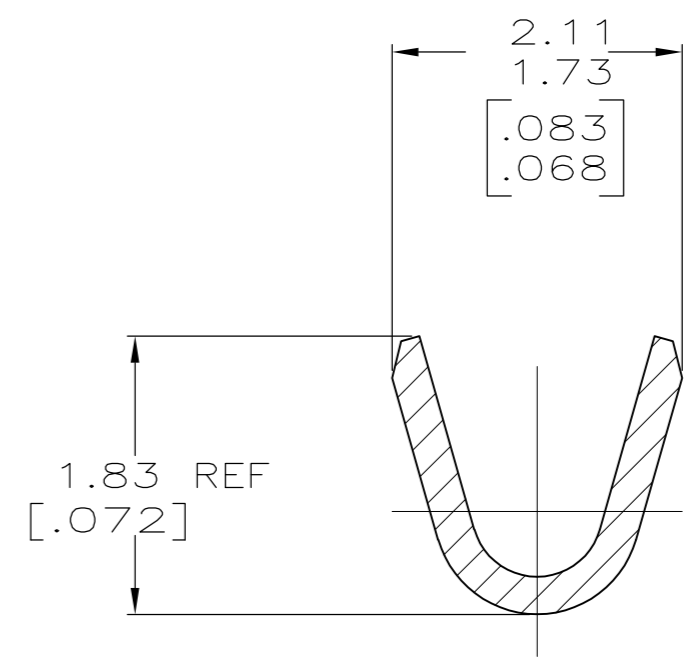
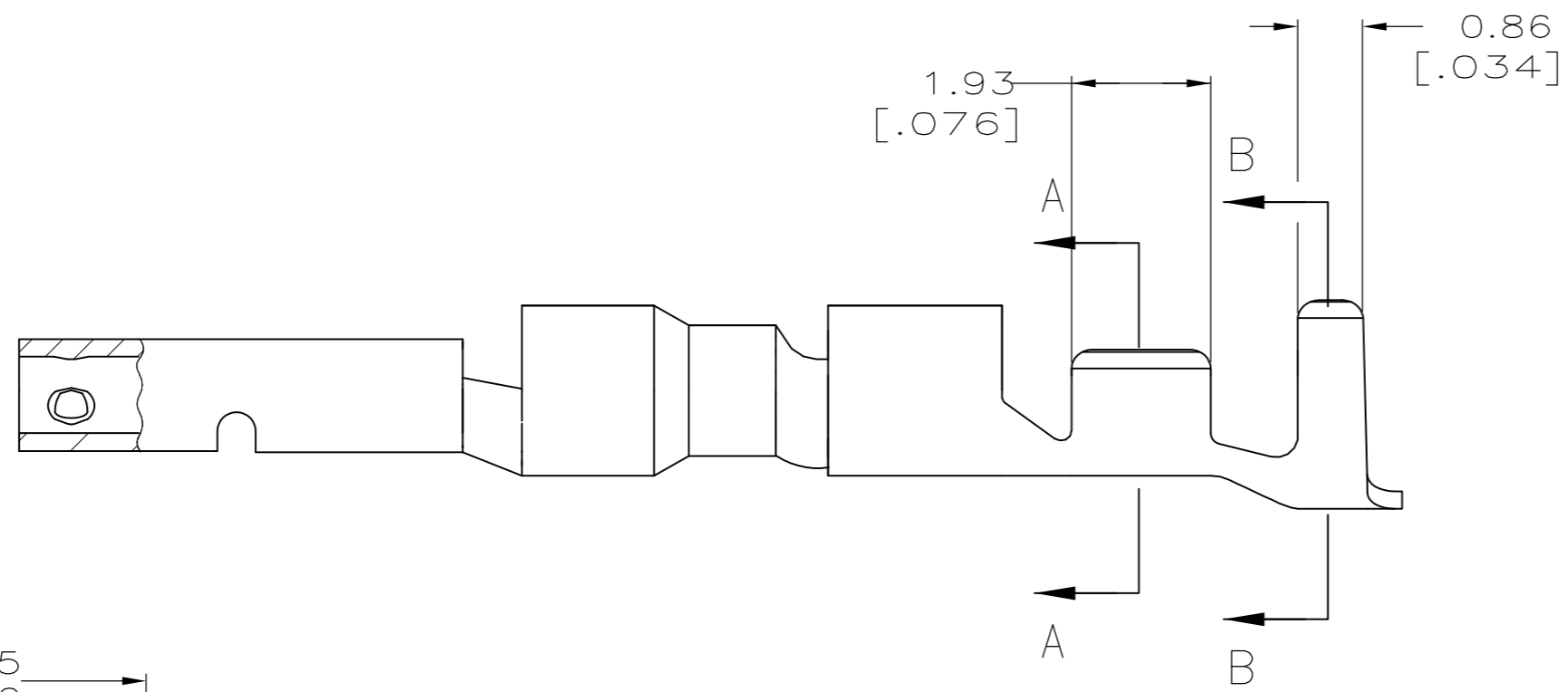


THIS DRAWING IS UNPUBLISHED. RELEASED FOR PUBLICATION
 © COPYRIGHT - By - ALL RIGHTS RESERVED.

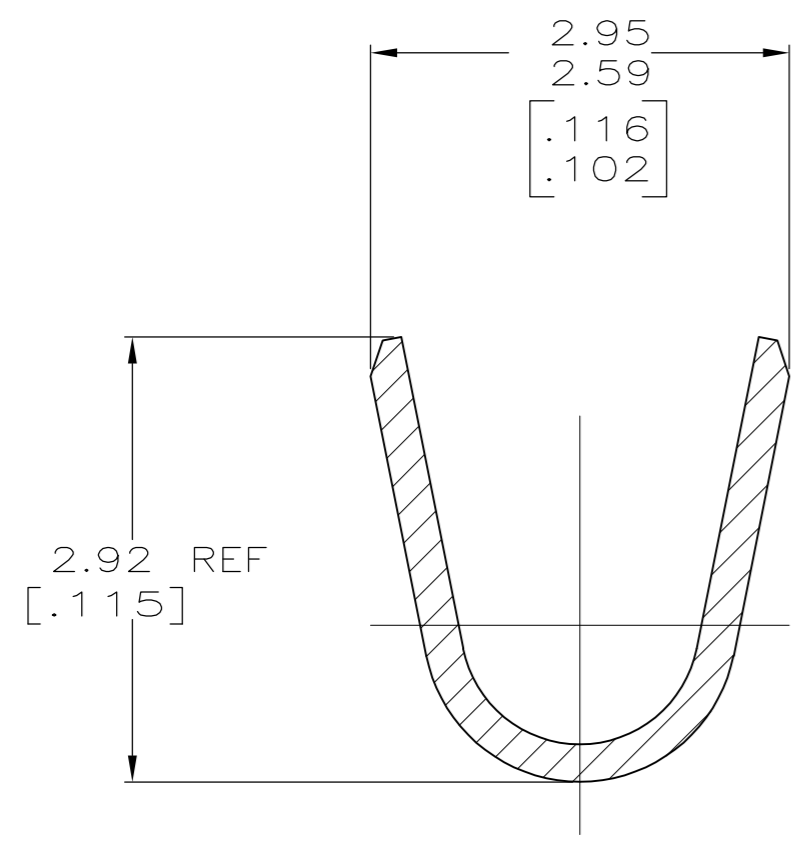
LOC		DIST		REVISIONS			
P	LTR	DESCRIPTION		DATE	DWN	APVD	
CM	00	E		REVISED PER EC 0G3B-0231-05	04MAR05	KW	CJ
		E1		REVISED PER ECR-14-000999	25JUL14	GK	KD



- 1 0.00076 [.000030] MIN GOLD IN LOCALIZED GOLD PLATE AREA AND 0.00254 [.000100] MIN BRIGHT TIN-LEAD IN LOCALIZED TIN-LEAD PLATE AREA OVER 0.0013 [.000050] MIN NICKEL.
- 2. WIRE RANGE: 0.12 - 0.4MM² (26-22 AWG).
- 3. INSULATION RANGE: 1.19-1.75 [.047-.069] DIA.
- 4. DIMENSIONS IN BRACKETS ARE IN INCHES.
- 5 0.00076 [.000030] MIN GOLD IN LOCALIZED GOLD PLATE AREA AND 0.00254 [.000100] MIN MATTE TIN IN LOCALIZED TIN PLATE AREA OVER 0.0013 [.000050] MIN NICKEL.
- 6 ROHS COMPLIANT.

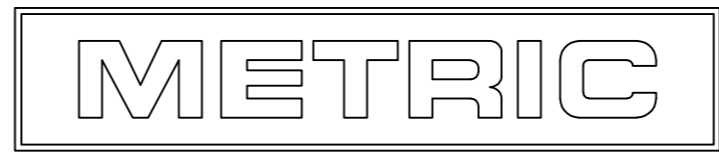


SECTION A-A
SCALE 20:1



SECTION B-B
SCALE 20:1

6	5	0.25 [.010] BRASS	1-794227-0
	1	0.25 [.010] BRASS	794227-3
		PRE-TIN	0.25 [.010] BRASS
		FINISH	MATERIAL
			PART NO



THIS DRAWING IS A CONTROLLED DOCUMENT.

DIMENSIONS: mm [INCHES]	TOLERANCES UNLESS OTHERWISE SPECIFIED:	DWN K. WHITAKER 04MAR2005	TE Connectivity	
		CHK C. JONES 04MAR2005	NAME	
		APVD C. JONES 04MAR2005	SOCKET, LOOSE PIECE, MINI UNIVERSAL MATE-N-LOK(TM) 2	
		PRODUCT SPEC	SIZE	CAGE CODE
		APPLICATION SPEC	A2	00779
MATERIAL SEE TABLE	FINISH SEE TABLE	WEIGHT	DRAWING NO	RESTRICTED TO
		CUSTOMER DRAWING	C=794227	-
		SCALE 10:1	SHEET 1 OF 1	REV E1

单击下面可查看定价，库存，交付和生命周期等信息

[>>TE Connectivity\(泰科\)](#)