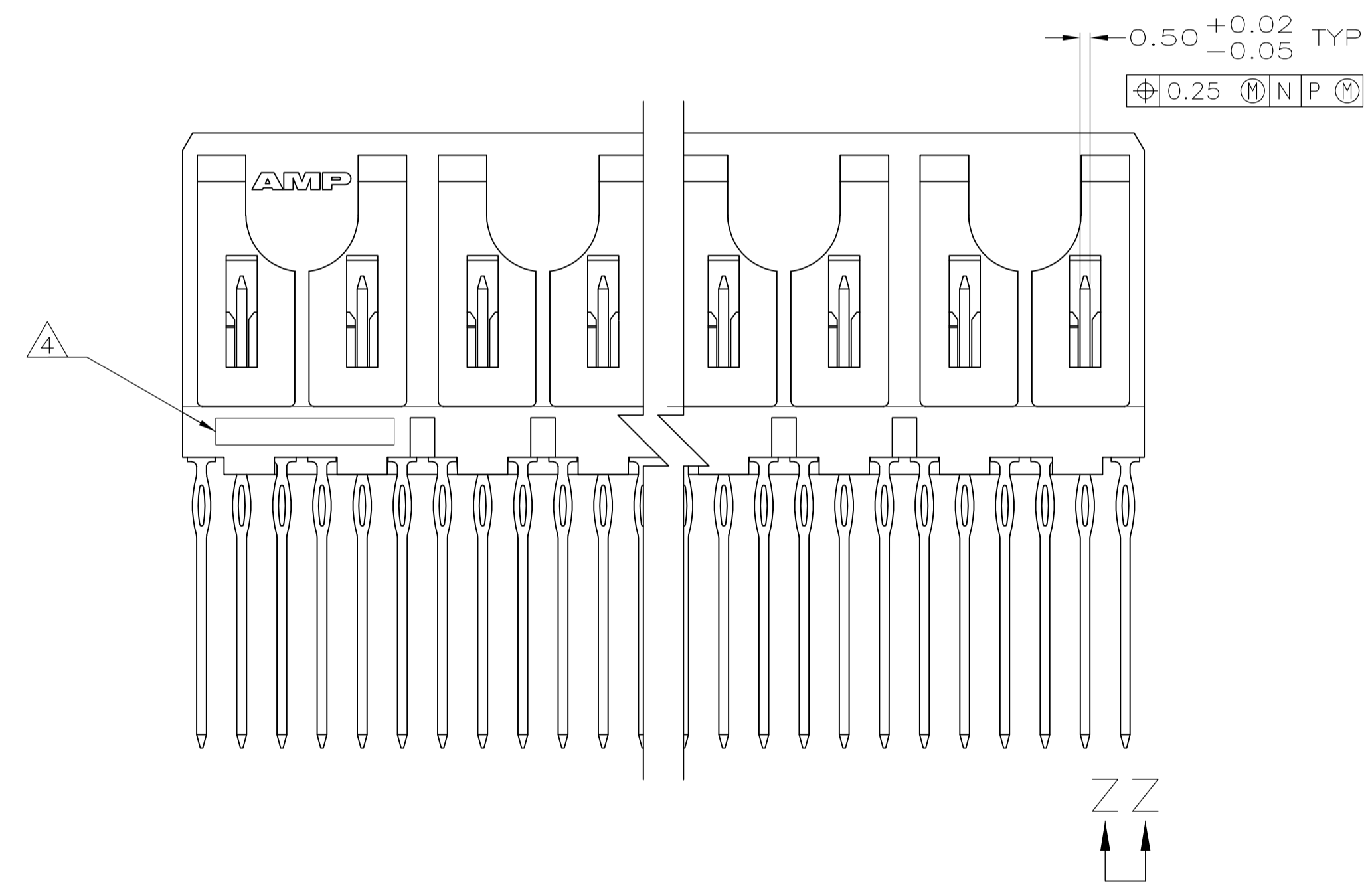
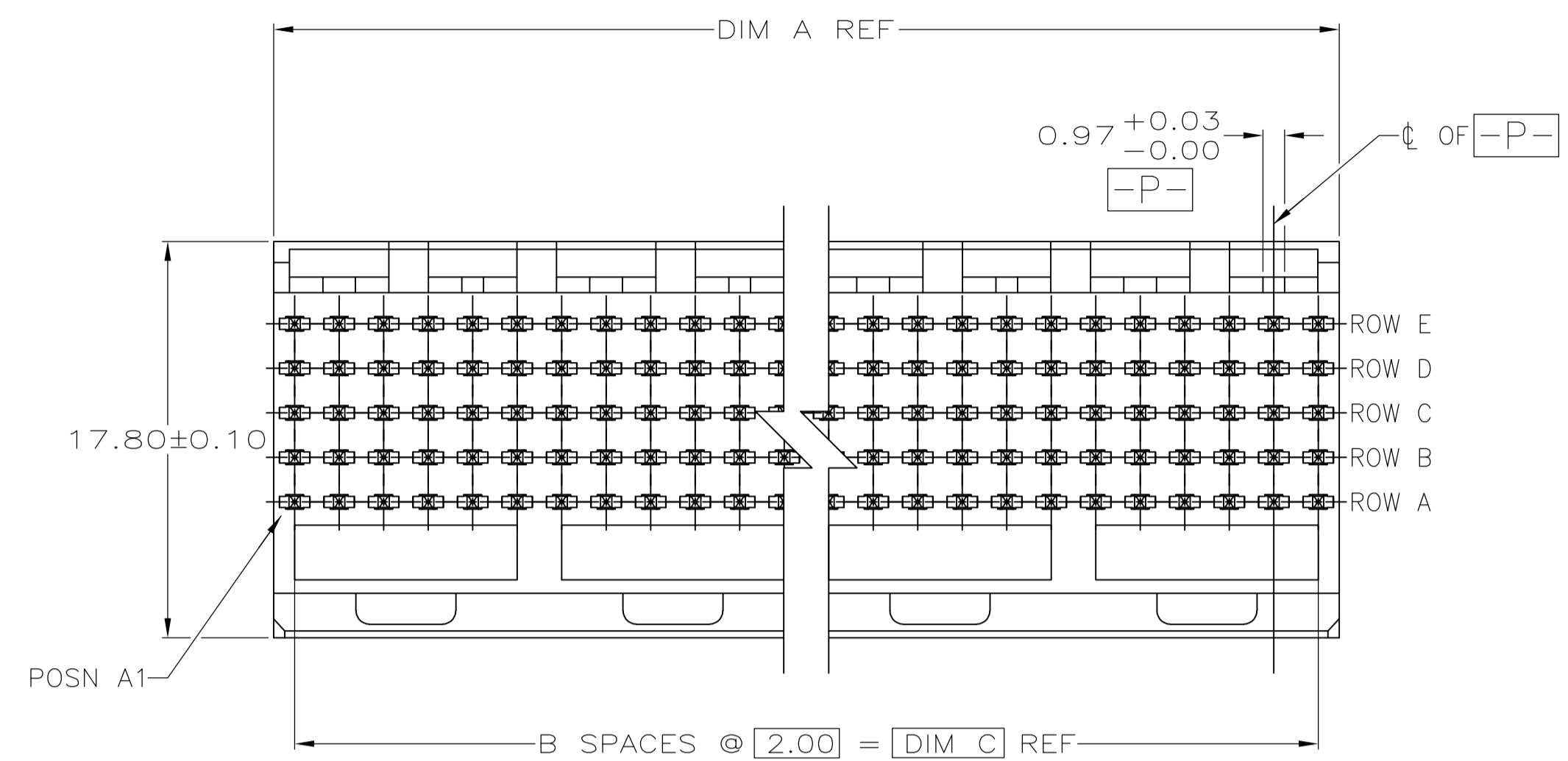
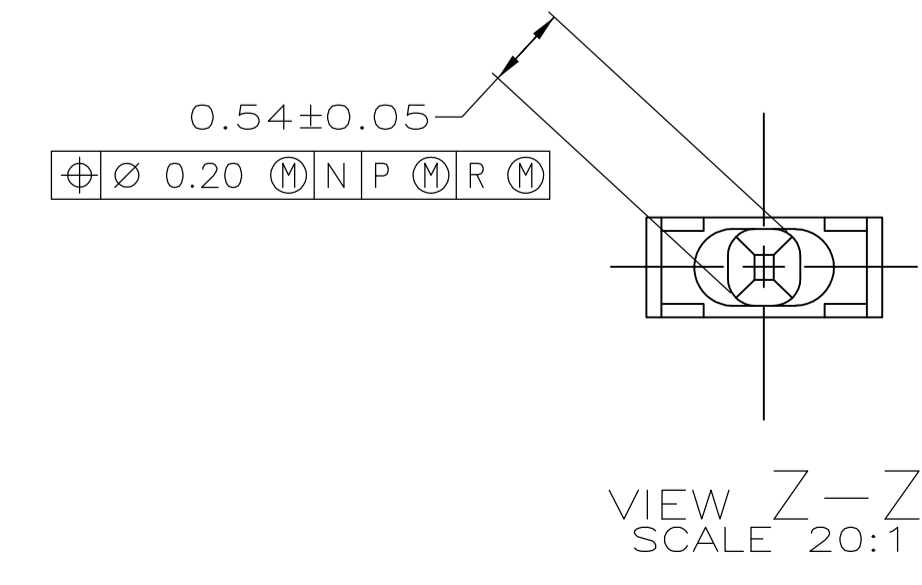
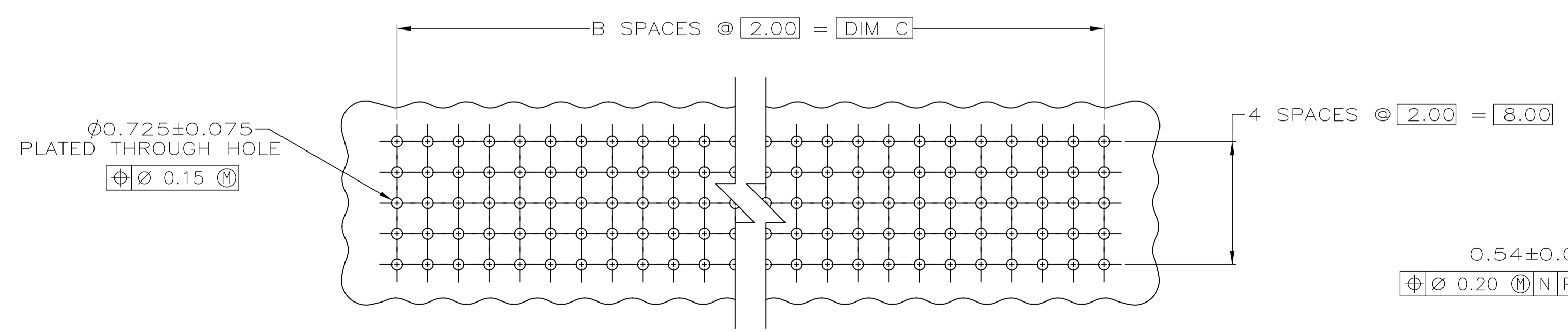
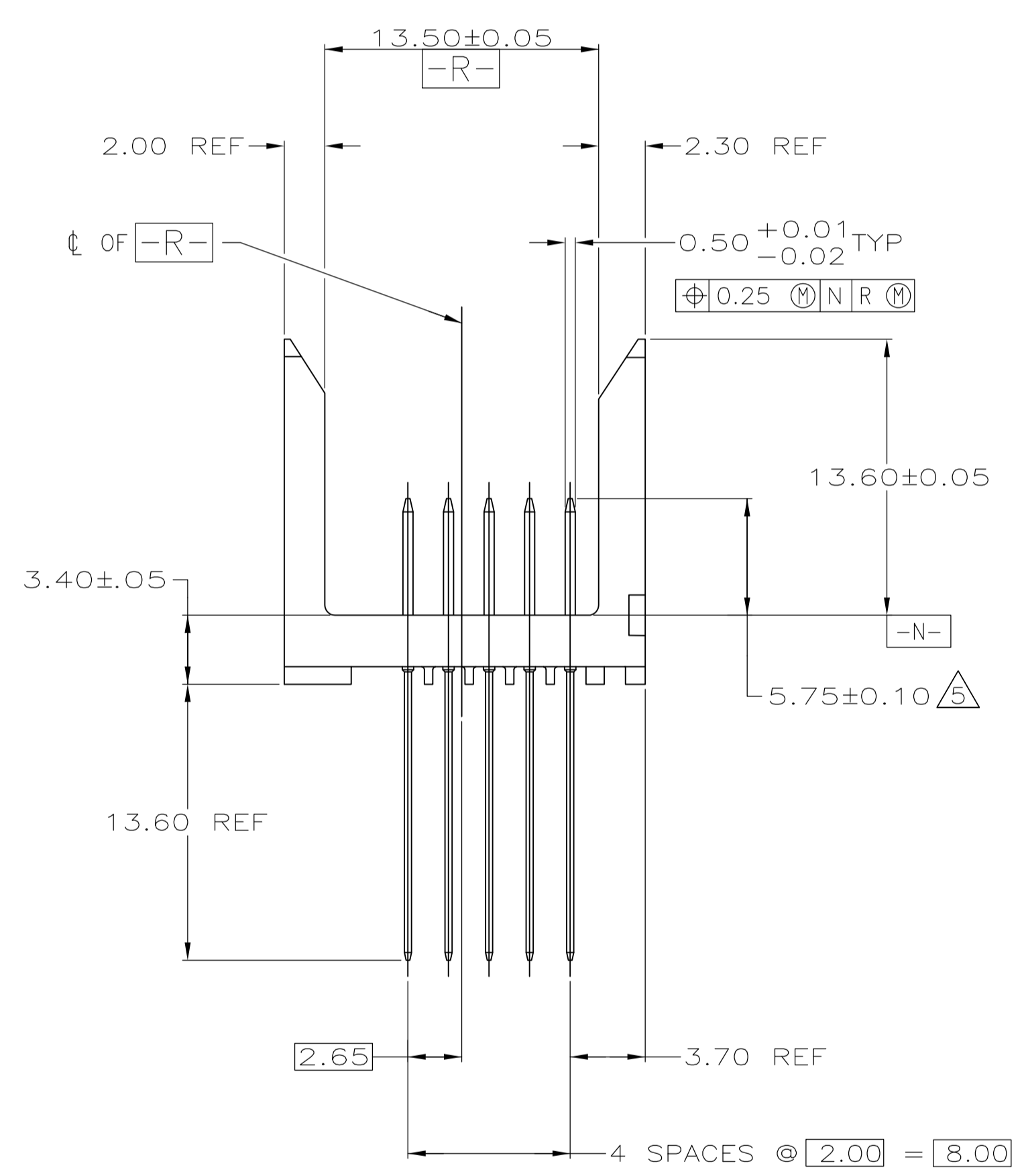


REVISONS		DATE	BY	APPV
0	RELEASED PER EC 0512-0317-04	13DEC04	BM	RW
01	REVISED PER ECO-09-024606	30OCT09	KK	AEG



- △ HOUSING MATERIAL: LIQUID CRYSTAL POLYMER. COLOR: NATURAL.
- △ CONTACT MATERIAL: PHOSPHOR BRONZE.
- △ CONTACT FINISH:(B)  
 UNDERPLATE (ENTIRE CONTACT):  
 0.00127 MIN NICKEL PER SAE-AMS-QQ-N-290  
 ON MATING SURFACES:  
 CONFORMS TO ALL TESTING SPECIFIED FOR TELCORDIA UNCONTROLLED ENVIRONMENT.  
 ON LEADS:  
 0.0006 MIN MATTE TIN PER ASTM B 545 OVER UNDERPLATE.  
 LUBRICATION (MIN MATING SURFACES):  
 SURFACE CONDITIONER AFTER PLATING.
- △ PART MARKING PER AMP INCORPORATED SPECIFICATION 115-9009, LOCATED APPROXIMATELY AS SHOWN.
- △ DIMENSION APPLIES WHEN SEATED ON PRINTED CIRCUIT BOARD.
- △ OBSOLETE PARTS: OBSOLETE CIS STREAMLINING PER D.RENAUD/D.SINISI



DIM C	B	DIM A	FINISH	NUMBER OF SIGNAL POSITIONS	PART NUMBER
94.00	47	95.88	△	240	5223070-8
58.00	29	59.88	△	150	5223070-5
46.00	23	47.88	△	120	5223070-4
22.00	11	23.88	△	60	5223070-2
10.00	5	11.88	△	30	5223070-1

THIS DRAWING IS A CONTROLLED DOCUMENT.

DIMENSIONS: mm	TOLERANCES UNLESS OTHERWISE SPECIFIED:	0 PLC ± -	1 PLC ± -	2 PLC ± 0.13	3 PLC ± -	4 PLC ± -	ANGLES ± -
----------------	--	-----------	-----------	--------------	-----------	-----------	------------

MATERIAL: △ △ △ FINISH: △

THIS DRAWING IS A CONTROLLED DOCUMENT. BY: B.MCMASTER, CHK: R.WERTZ, APPV: R.WERTZ. Tyco Electronics Corporation, Harrisburg, Pa 17105-3608. NAME: PIN ASSY. SIGNAL MODULE, Z-PACK 2mm FB, 5 ROW, FULLY LOADED WITH PRESS FIT LEADS. SIZE: A1, CAGE CODE: 00779, DRAWING NO: 5223070, WEIGHT: -, RESTRICTED TO: -. CUSTOMER DRAWING. SCALE: 1:1, SHEET: 1 OF 1, REV: 01

单击下面可查看定价，库存，交付和生命周期等信息

[>>TE Connectivity\(泰科\)](#)