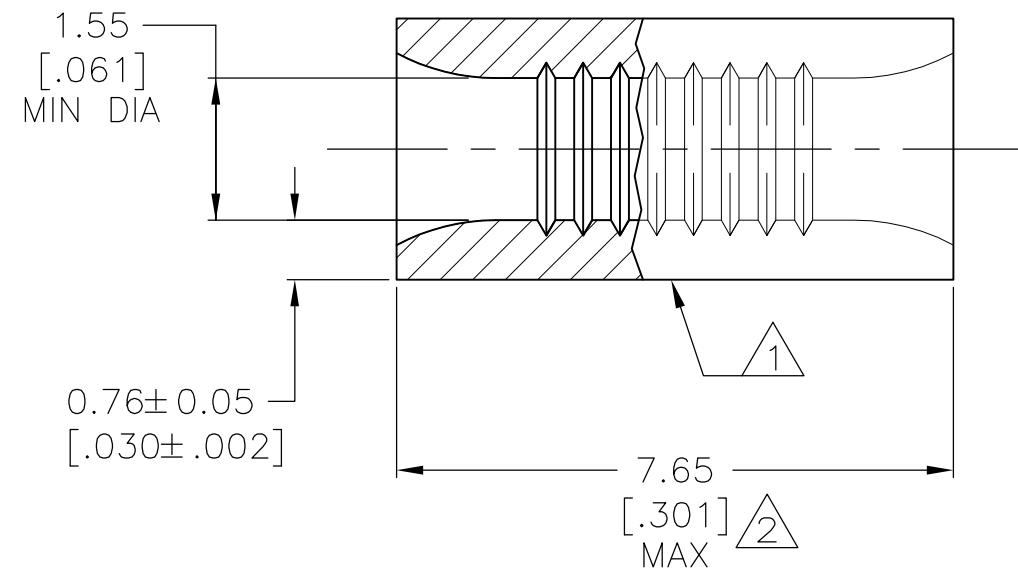
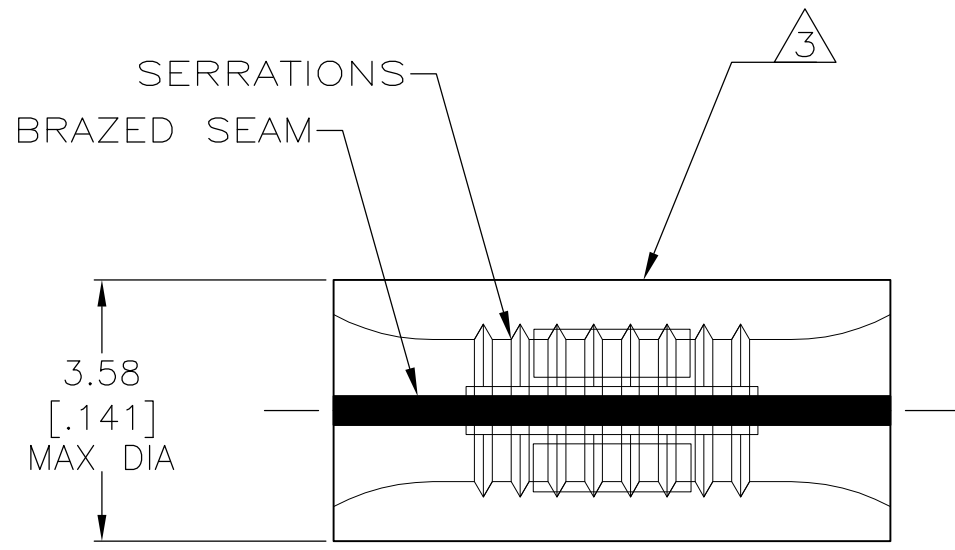


THIS DRAWING IS UNPUBLISHED. RELEASED FOR PUBLICATION
 © COPYRIGHT - By - ALL RIGHTS RESERVED.

LOC	DIST	REVISIONS					
G	14	P	LTR	DESCRIPTION	DATE	DWN	APVD
			H3	REVISED PER ECO-14-019230	02APR2015	NK	DR



AMP WIRE RANGE	E13288 Listed
22-16 AWG SOLID OR STRANDED	NOT APPLICABLE
LR7189 Certified	MILITARY P/N AND CLASS
NOT APPLICABLE	NOT APPLICABLE

- 1 STAMP AMP 22-18 APPROX AS SHOWN 22-16 SPLICES ARE STAMPED WITH 22-18 IN ACCORDANCE WITH MILITARY SPEC MIL-T-7928 COMMERCIAL WIRE RANGE IS 22-16.
- 2 MAXIMUM LENGTH DOES NOT INCLUDE MANUFACTURING TABS.
- 3 WIRE BARREL COLOR CODED ORANGE TO DENOTE NICKEL MATERIAL.

REQD	322326
3 COLOR CODING	PART NUMBER

AMP INCORPORATED
CUSTOMER SERVICE SYSTEMS

FOR ADDITIONAL PRODUCT INFORMATION OR COPIES OF DRAWINGS AND TECHNICAL DOCUMENTS	PRODUCT INFORMATION CENTER 1-800-522-6752	RECOMMENDED OPERATING TEMPERATURE: 649° C MAX
FOR APPLICATION TOOLING INFORMATION	TOOLING ASSISTANCE CENTER 1-800-722-1111	VOLTAGE RATING: NOT APPLICABLE
FOR ORDER ENTRY	1-800-526-5142	WIRE CROSS SECTIONAL AREA RANGE: 0.26-1.65mm ² [509-3,250] CIR MILS SOLID OR STRANDED

THIS DRAWING IS A CONTROLLED DOCUMENT.	
DIMENSIONS: mm [INCHES]	TOLERANCES UNLESS OTHERWISE SPECIFIED:
	0 PLC ± - 1 PLC ± - 2 PLC ± - 3 PLC ± - 4 PLC ± - ANGLES ± -
MATERIAL NICKEL PER ASTM B-162 ANNEALED	FINISH -

DWN DK SCHRUM 14NOV96	NAME SPLICE, PARALLEL, HIGH TEMPERATURE, STRATO - THERM™	SIZE	CAGE CODE	DRAWING NO	RESTRICTED TO	
CHK MJ SPICER 19NOV96		A3	00779	C-322326	-	
APVD JL MECKLEY 19NOV96		SCALE	10:1	SHEET	1 OF 1	REV H3
PRODUCT SPEC		CUSTOMER DRAWING				



单击下面可查看定价，库存，交付和生命周期等信息

[>>TE Connectivity\(泰科\)](#)