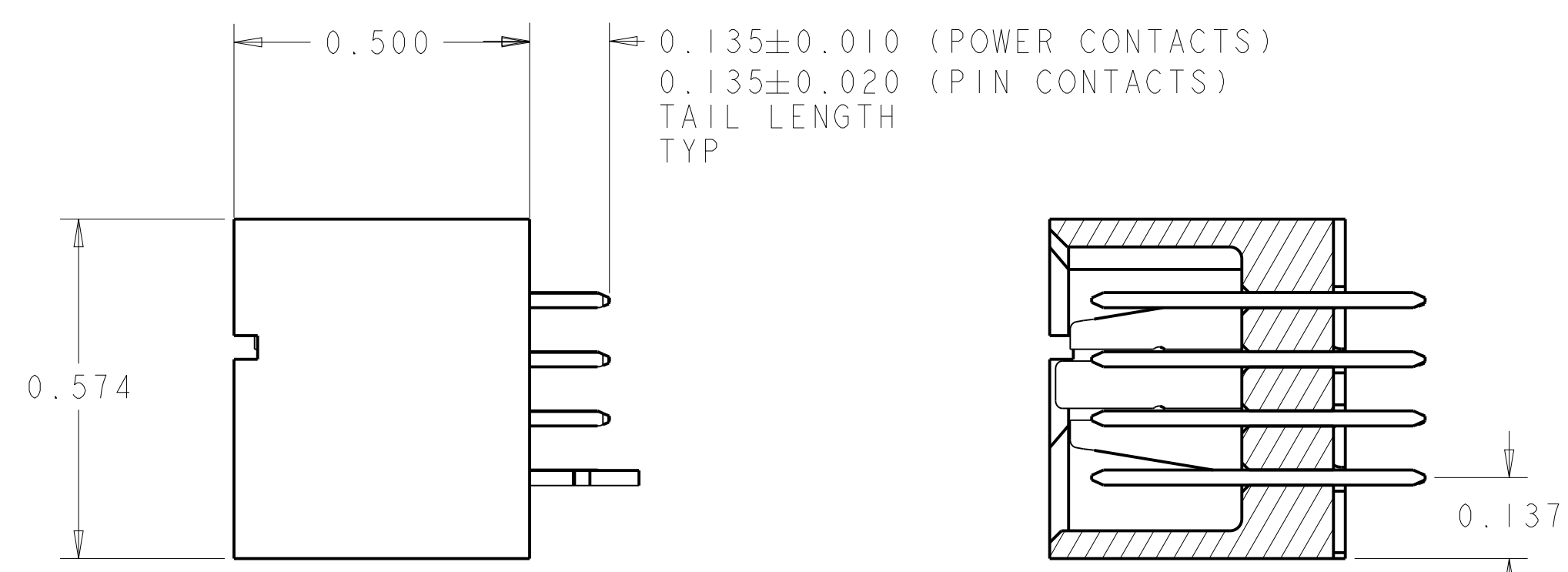
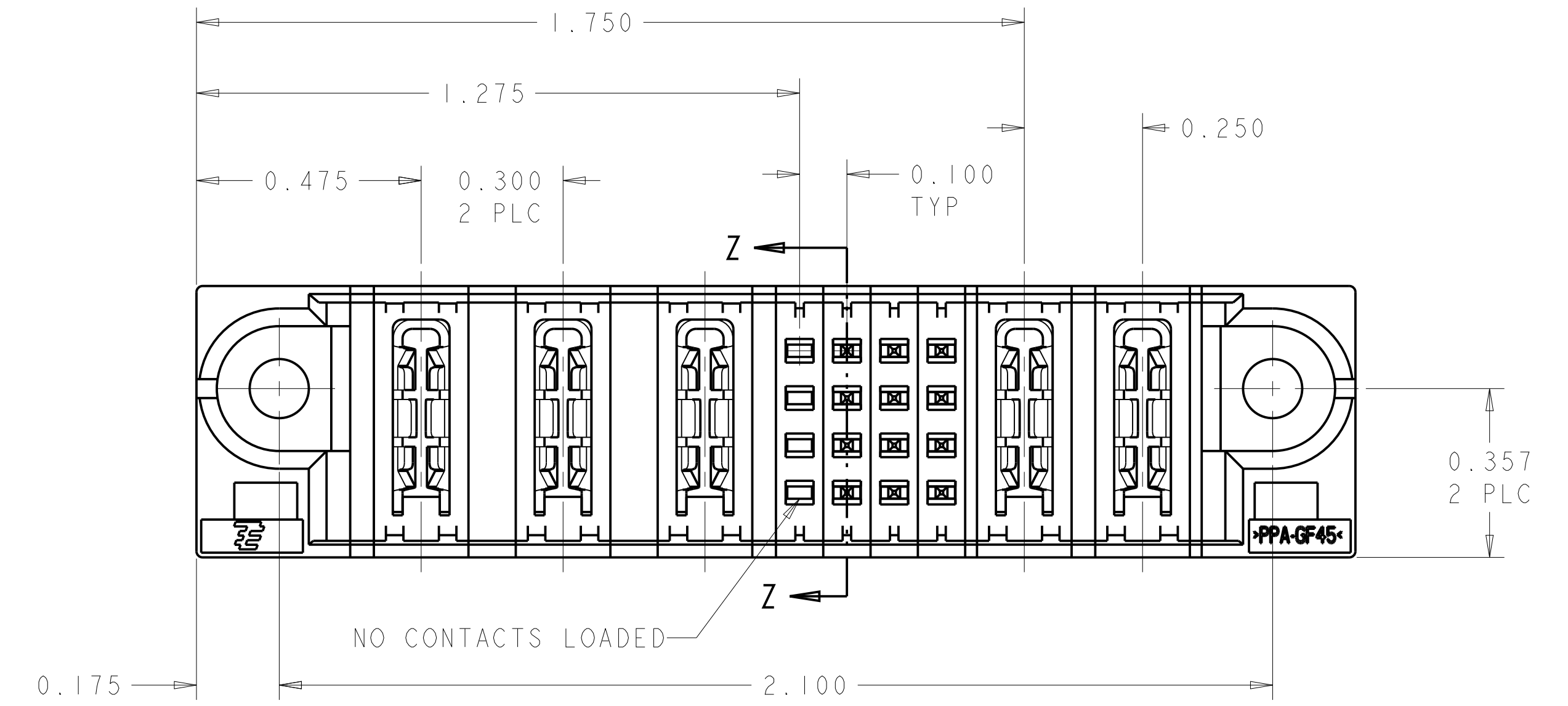
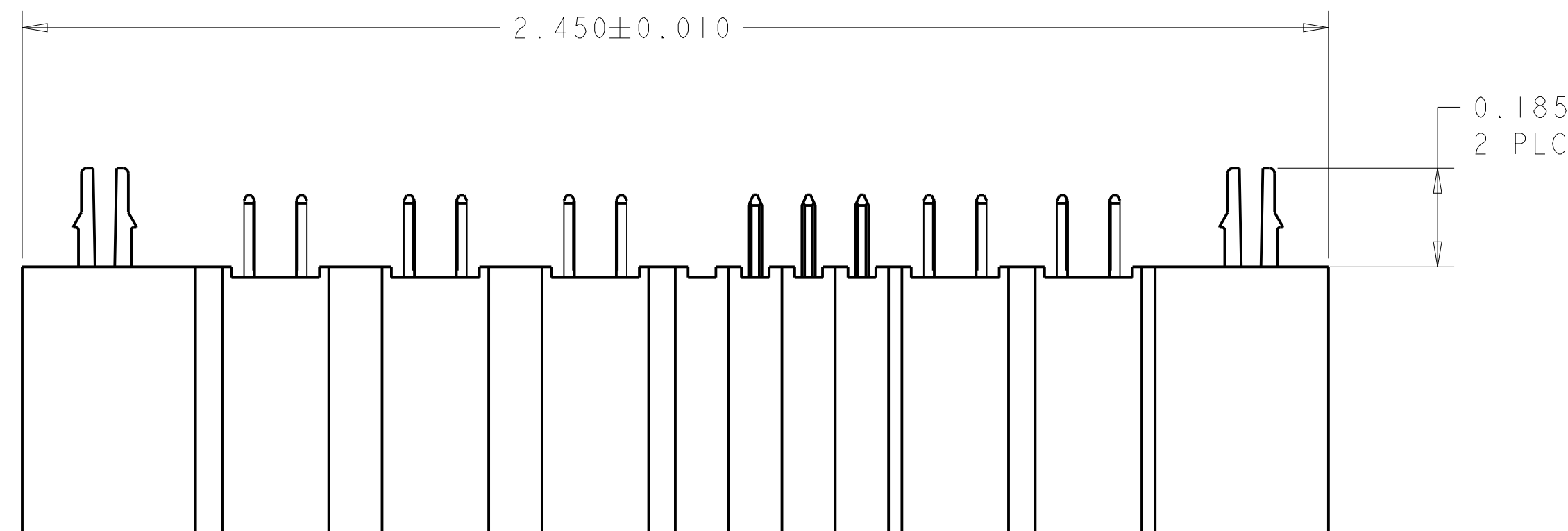
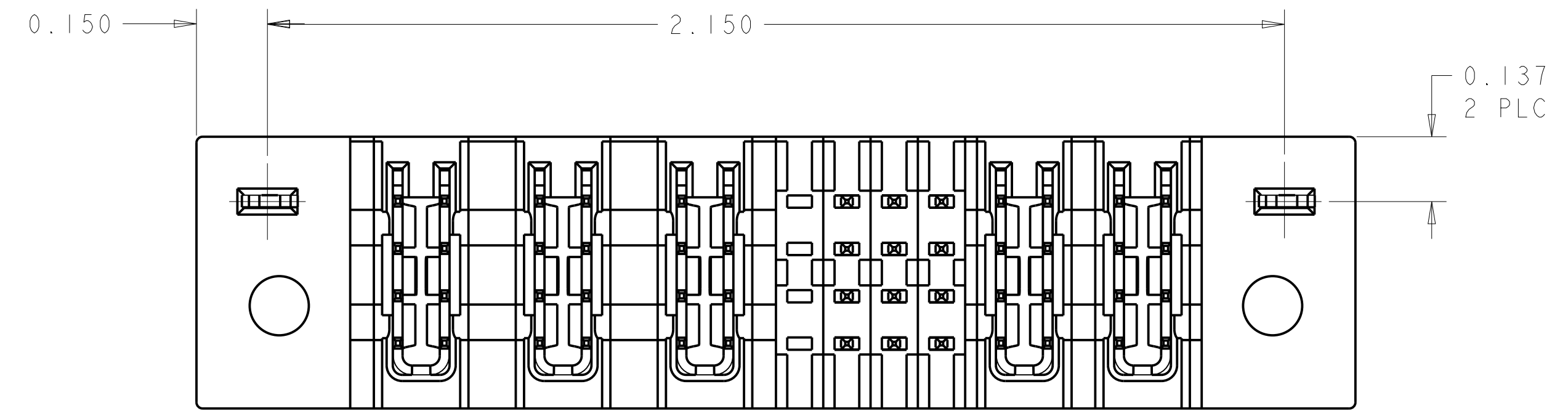


LOC		DIST		REVISIONS			
P	LTN	DESCRIPTION	DATE	DWN	APVD		
A		RELEASED	29DEC05	RG	MP		
A1		REV PER ECR-14-002489	24FEB2014	OL	SZ		



SECTION Z-Z

- 1 "AMP", PART NUMBER AND DATE CODE TO BE MARKED IN AREA SHOWN PARTS UNDER 2.50 LONG MAY BE MARKED ON BOTH SIDES
- 2 MATERIAL: HOUSING - GLASS FILLED HIGH TEMP THERMO PLASTIC, UL94 V-0
 SIGNAL CONTACT - COPPER ALLOY
 POWER CONTACT - HIGH CONDUCTIVITY COPPER ALLOY
- 3 CONTACT PLATING: NOBLE METAL PLATING ON CONTACT FUNCTIONAL AREA OF POWER AND SIGNAL CONTACTS
- 4 MECHANICAL CONNECTOR KEEP OUT ZONE.
- 5 DATUM AND BASIC DIMENSIONS ESTABLISHED BY CUSTOMER.
- 6 PCB - ALL HOLE DIAMETERS ARE FINISHED HOLE SIZES.
- 7 PCB - .0453±.0010 DRILLED HOLES PLATED WITH .0003 MIN Sn OVER .001 TO .003 Cu PLATING TO ACHIEVE A .040±.003 DIA. HOLE.
- 8. A SEATING TOOL IS REQUIRED TO SEAT THE HEADER ON THE PC BOARD. PLEASE REFER TO THE 114-13038 APPLICATION SPECIFICATION.

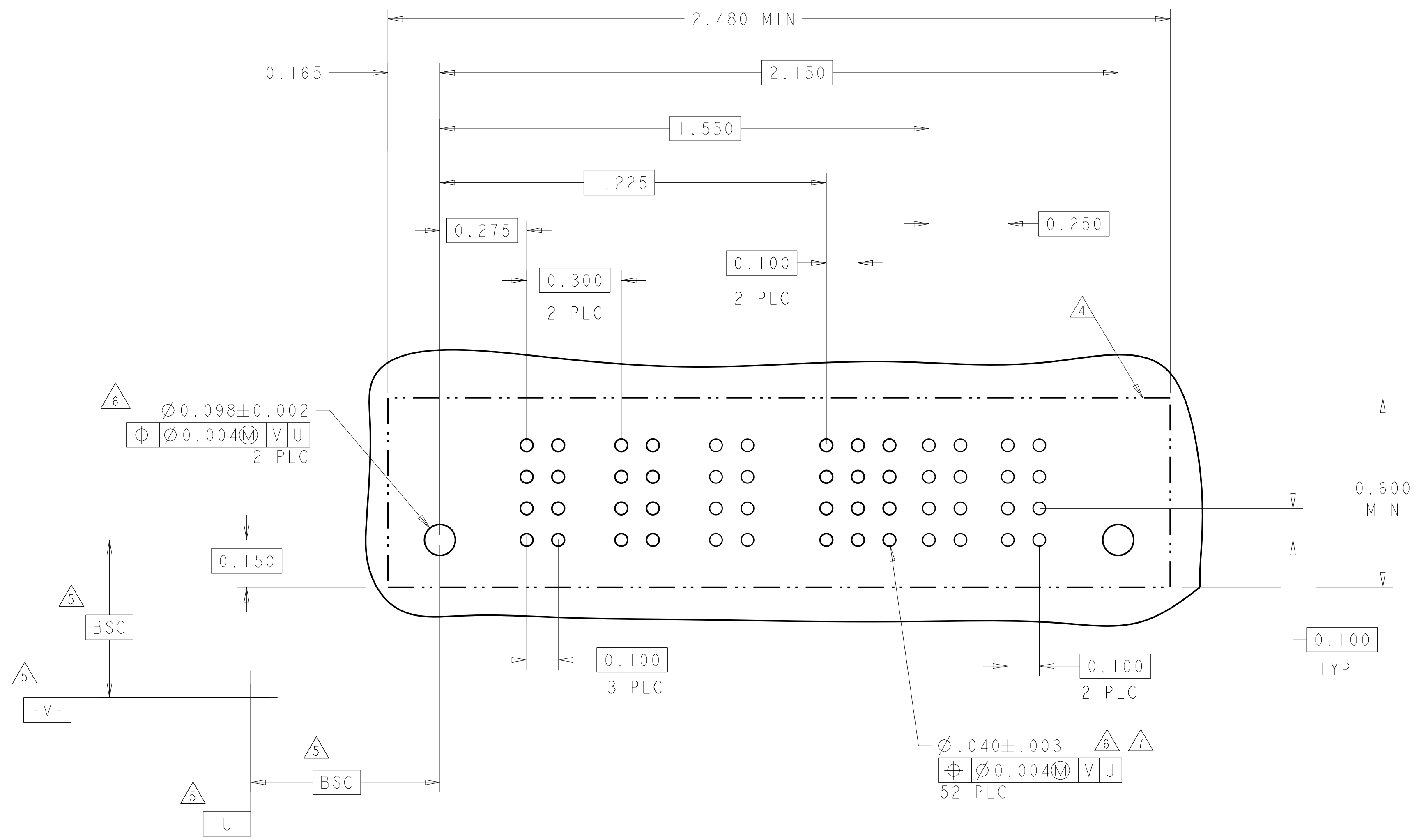
DESIGN APPROVED THIS PRINT IS
PRELIMINARY
 TO FIRST PIECE APPROVAL
 CONTACT PRODUCT ENGINEERING
 BEFORE USING THIS PRINT

3ACP + 16S + 2P		1888316-1	
DESCRIPTION		PART NUMBER	
DIMENSIONS: INCHES 0 PLC ±.01 1 PLC ±.01 2 PLC ±.01 3 PLC ±.005 4 PLC ±.0020 ANGLES ±.0°		TOLERANCES UNLESS OTHERWISE SPECIFIED: ±.01 ±.005 ±.0020 ±.0°	
MATERIAL:		FINISH:	
DWN: R. GRZYBOWSKI CHK: M. PERCHERKE APVD: M. PERCHERKE		29DEC05 29DEC05 NAME: VERTICAL HEADER ASSEMBLY W/GUIDES SOLDER TAILS, MULTI-BEAM XL	
PRODUCT SPEC: 108-1973 APPLICATION SPEC: 114-13038		SIZE: A CAGE CODE: 00779 DRAWING NO: 1888316	
CUSTOMER DRAWING		SCALE: 4:1 SHEET 1 OF 2 REV A1	

LOC	DIST	REV	DATE	BY	APPV
GP	00				
		REVISIONS			
		DESCRIPTION	DATE	BY	APPV
		SEE SHEET 1			

PART NUMBER	ROWS	POWER			SIGNAL				POWER		
		P1	P2	P3	1	2	3	4	P4	P5	
1888316-1	D	PV	PV	PV	T	T	T	PV	PV		
	C				T	T	T				
	B				T	T	T				
	A				T	T	V				
3ACP + 16S + 2P											

NO CONTACTS LOADED



PV	POWER CONTACT
V	SIGNAL CONTACT - MLBF
T	SIGNAL CONTACT - STD
CODE	TAIL LENGTH
CONTACT TABLE	

<small>THIS DRAWING IS UNPUBLISHED. RELEASED FOR PUBLICATION. IT IS THE PROPERTY OF TYCO ELECTRONICS CORPORATION AND IS TO BE CONTROLLED AND DISTRIBUTED ONLY TO THOSE TO WHOM IT IS SPECIFICALLY ISSUED BY TYCO ELECTRONICS CORPORATION.</small>		DWN: B. GRZYBOWSKI CHK: M. PERCHERKE APVD: M. PERCHERKE	29DEC05 29DEC05 108-1973 114-13038	Tyco Electronics Harrisburg, PA 17105-3608
DIMENSIONS: INCHES	TOLERANCES UNLESS OTHERWISE SPECIFIED: 0 PLC ±. 1 PLC ±.01 2 PLC ±.01 3 PLC ±.005 4 PLC ±.0020 ANGLES ±.0°	NAME: VERTICAL HEADER ASSEMBLY W/GUIDES SOLDER TAILS, MULTI-BEAM XL	SIZE: A CAGE CODE: 00779 DRAWING NO: 1888316	RESTRICTED TO:
MATERIAL:	FINISH:	WEIGHT:	SCALE: 4:1	SHEET 2 OF 2
CUSTOMER DRAWING		REV: A1		

单击下面可查看定价，库存，交付和生命周期等信息

[>>TE Connectivity\(泰科\)](#)