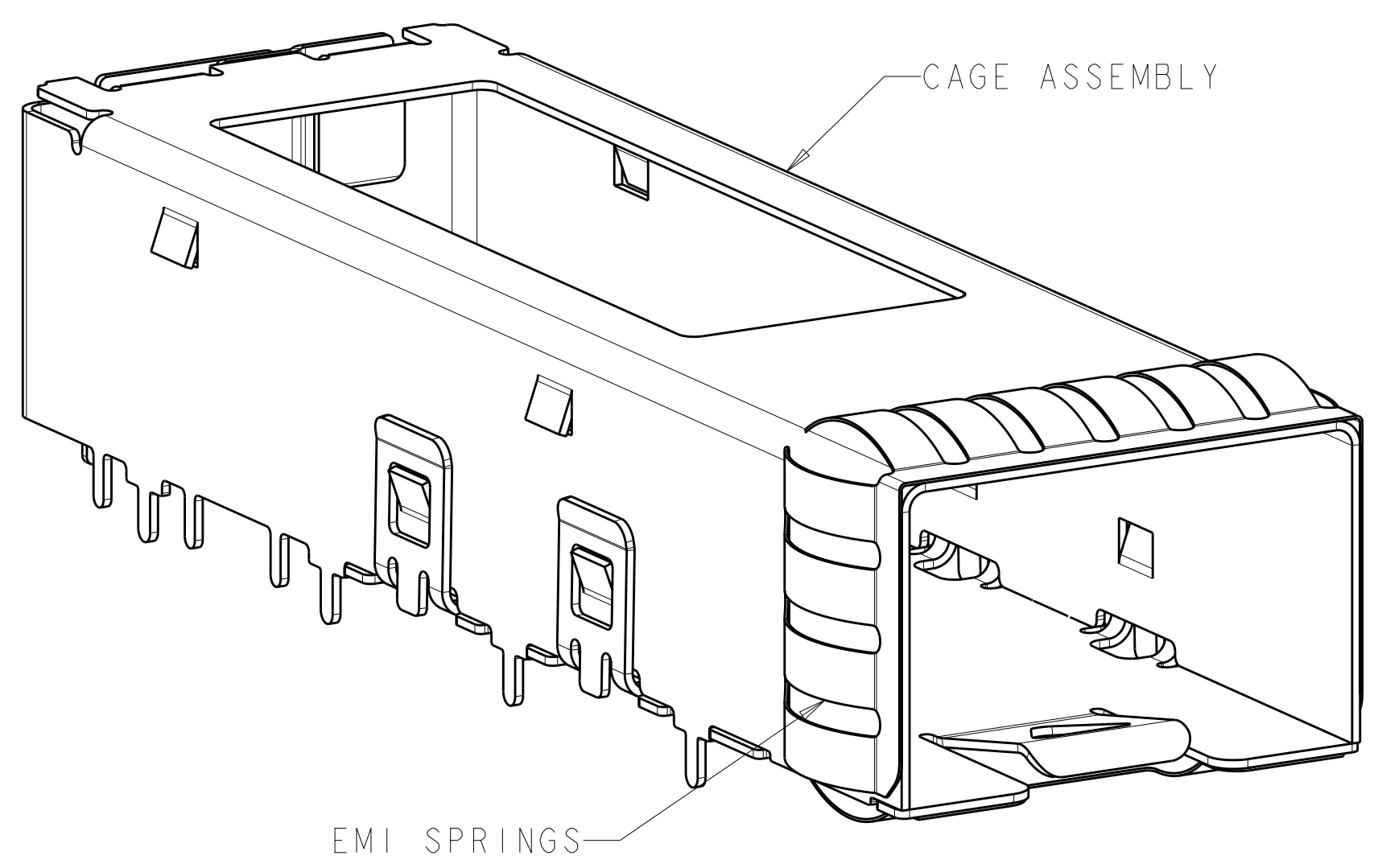
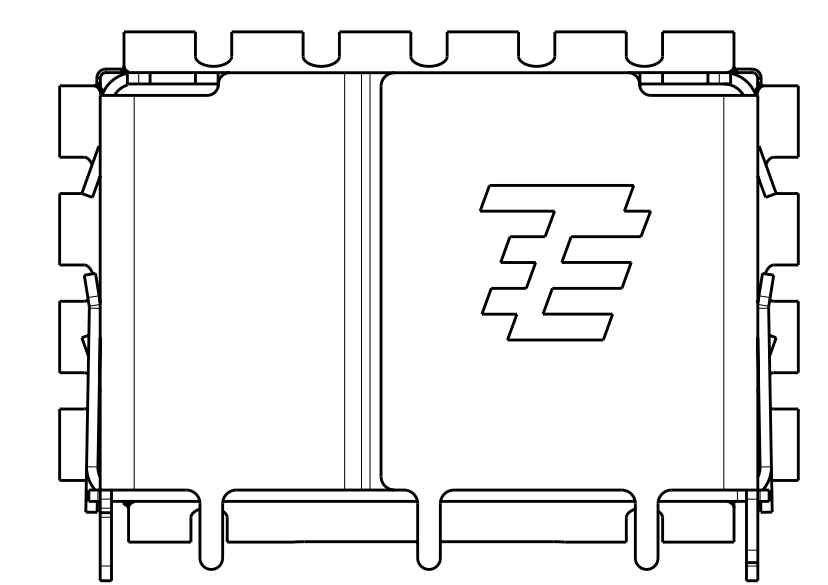
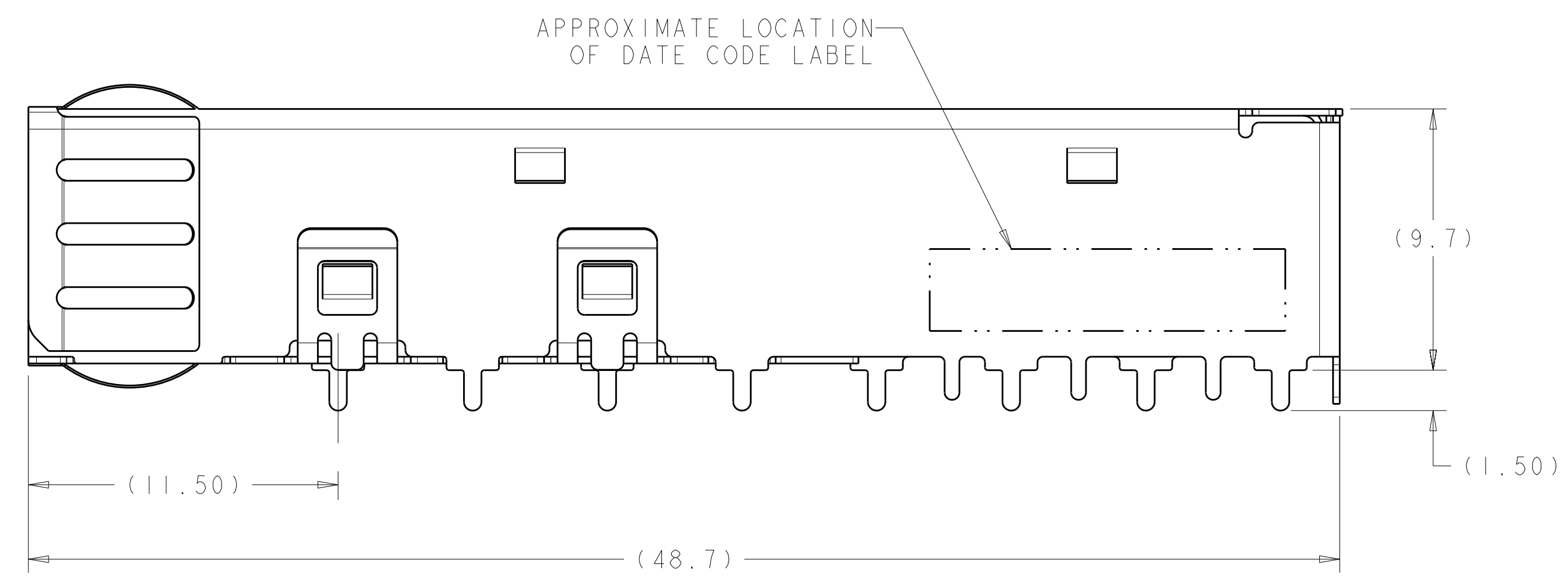
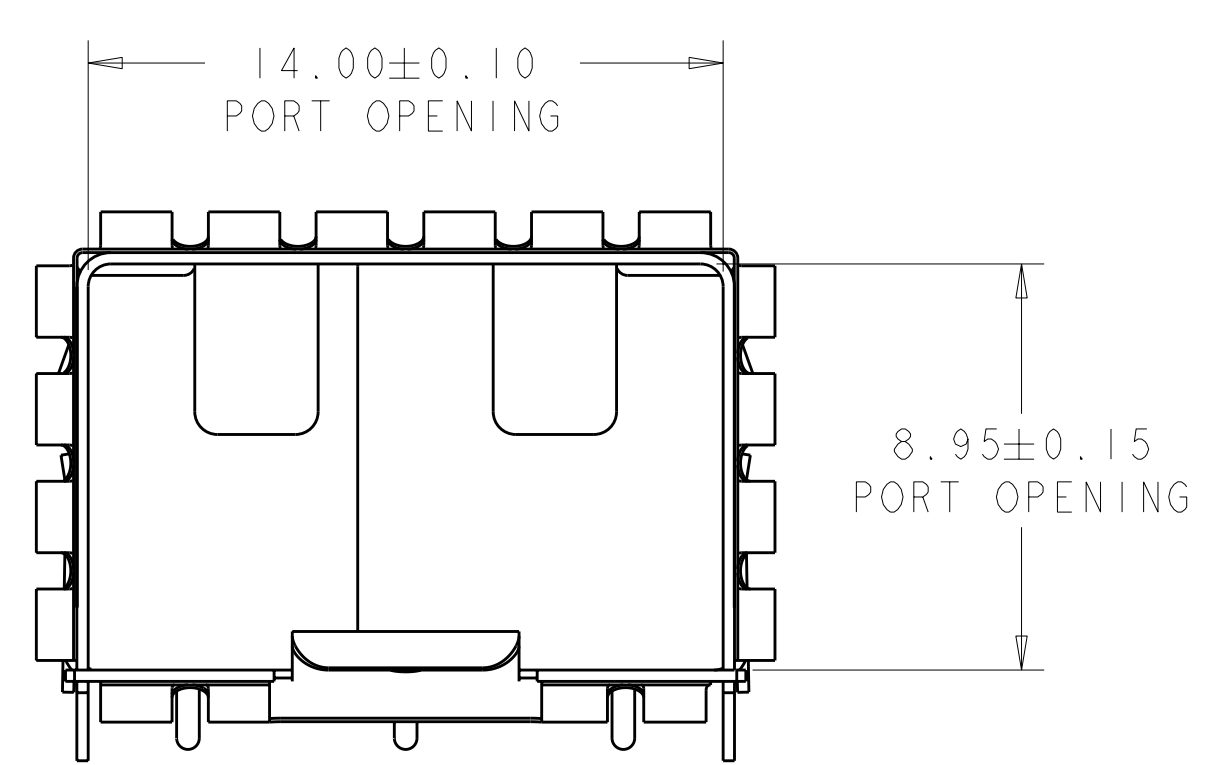
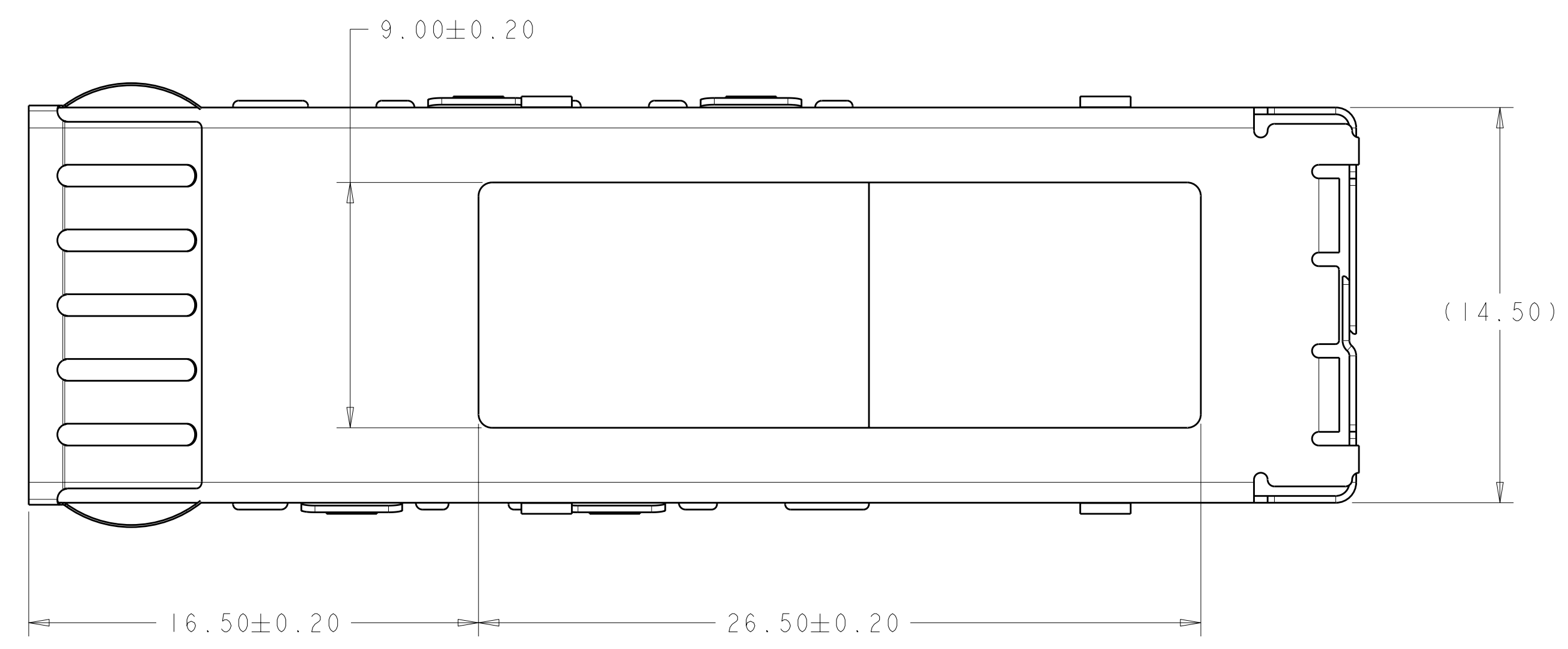


LOC	DIST	REVISIONS			
GP	00	REV	DATE	BY	CHK
		B	20OCT2009	CR	MS
		C	16JAN2012	TX	AC



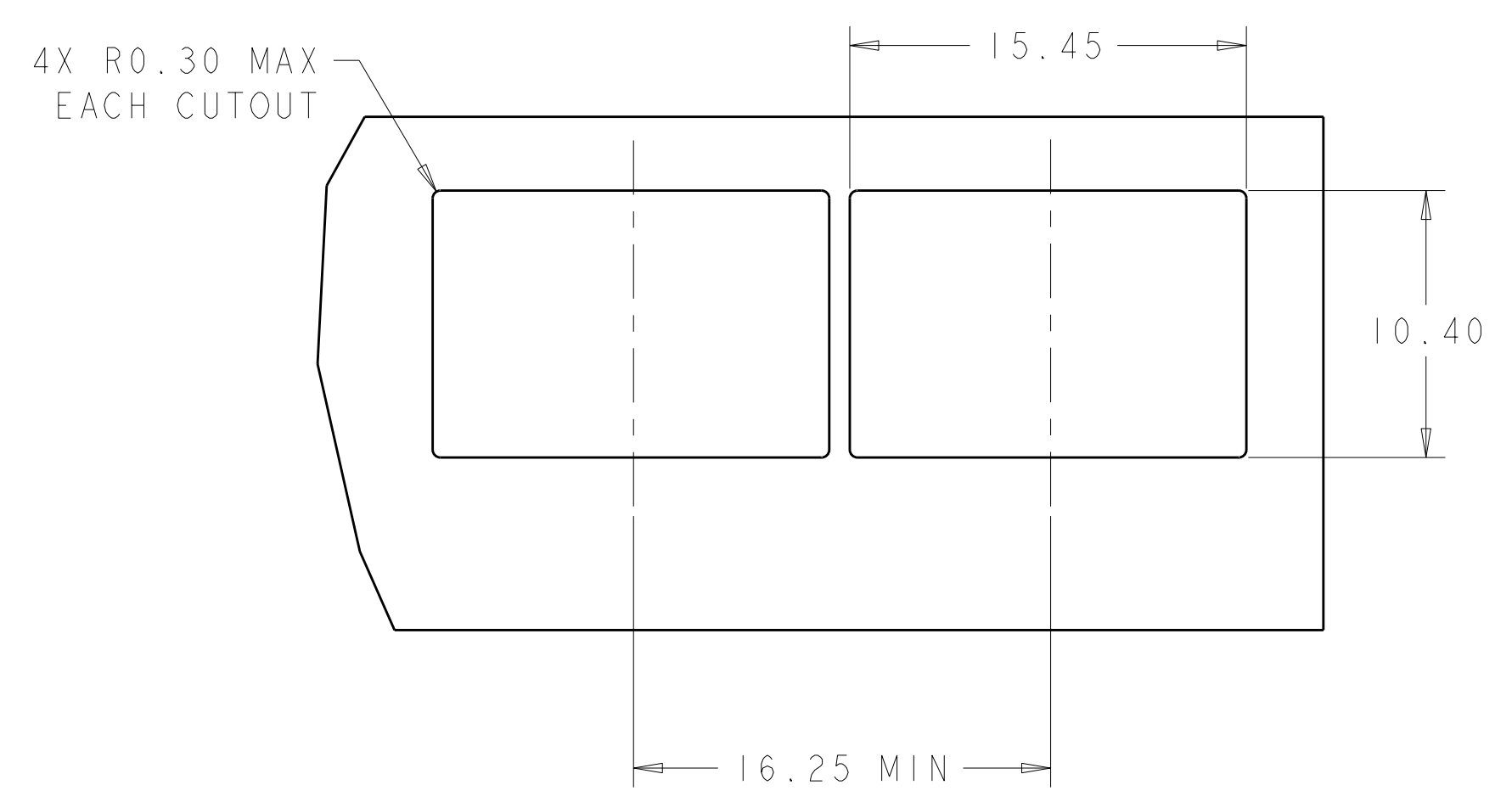
- 1 MATERIAL:  
CAGE ASSEMBLY - NICKEL-SILVER ALLOY.  
EMI SPRINGS - COPPER ALLOY.
- 2 FINISH:  
EMI SPRINGS - 0.8um MIN MATTE TIN OVER 0.8um MIN NICKEL  
NON PLATED EDGES PERMISSIBLE.
- 3. MATES WITH SFP MSA COMPLIANT TRANSCEIVERS.
- 4 PADS AND VIAS CHASSIS GROUND.
- 5 DATUMS AND BASIC DIMENSIONS ESTABLISHED BY CUSTOMER.
- 6. MINIMUM PC BOARD THICKNESS:  
SINGLE SIDED = 1.50mm
- 7. REMOVED



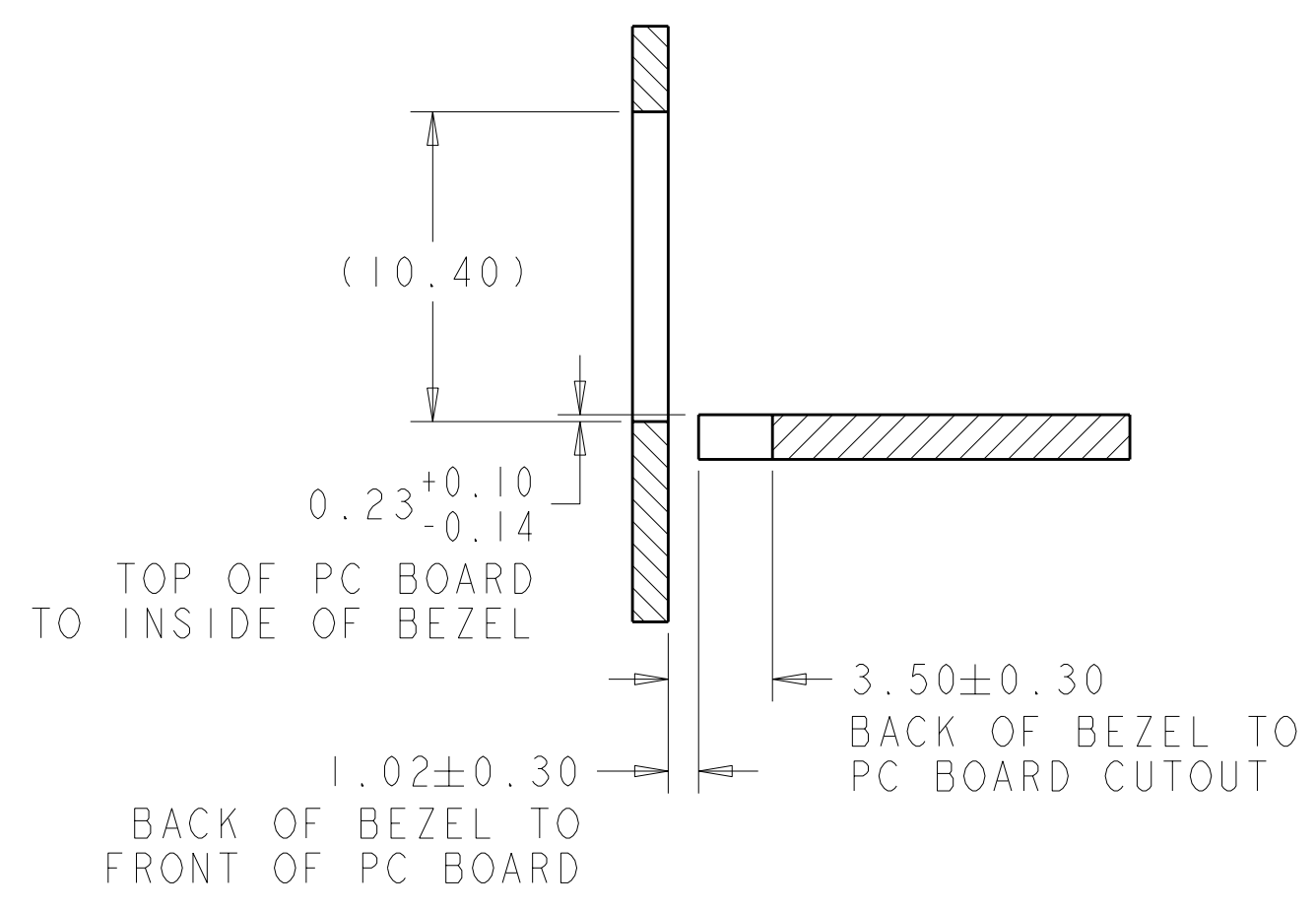
2057021-1  
PART NUMBER

THIS DRAWING IS A CONTROLLED DOCUMENT.		DWN M. SCHMITT 21FEB2008	TE Connectivity	
DIMENSIONS: mm		CHK M. SCHMITT 21FEB2008		
TOLERANCES UNLESS OTHERWISE SPECIFIED:		APVD M. WALMSLEY 21FEB2008		
9 PLC ±0.1	3 PLC ±0.1	PRODUCT SPEC	NAME SFP+ 1X1 CAGE ASSEMBLY W/ HEATSINK OPENING, SHORT SOLDER TAILS, EXTERNAL EMI SPRINGS	
5 PLC ±0.1	4 PLC ±0.05	APPLICATION SPEC	SIZE CAGE CODE DRAWING NO RESTRICTED TO	
4 PLC ±0.05	ANGLES ±0.05	114-13120	A100779C=2057021	
MATERIAL	FINISH	WEIGHT	CUSTOMER DRAWING	
SCALE 6:1		SHEET 1 OF 2	REV C	

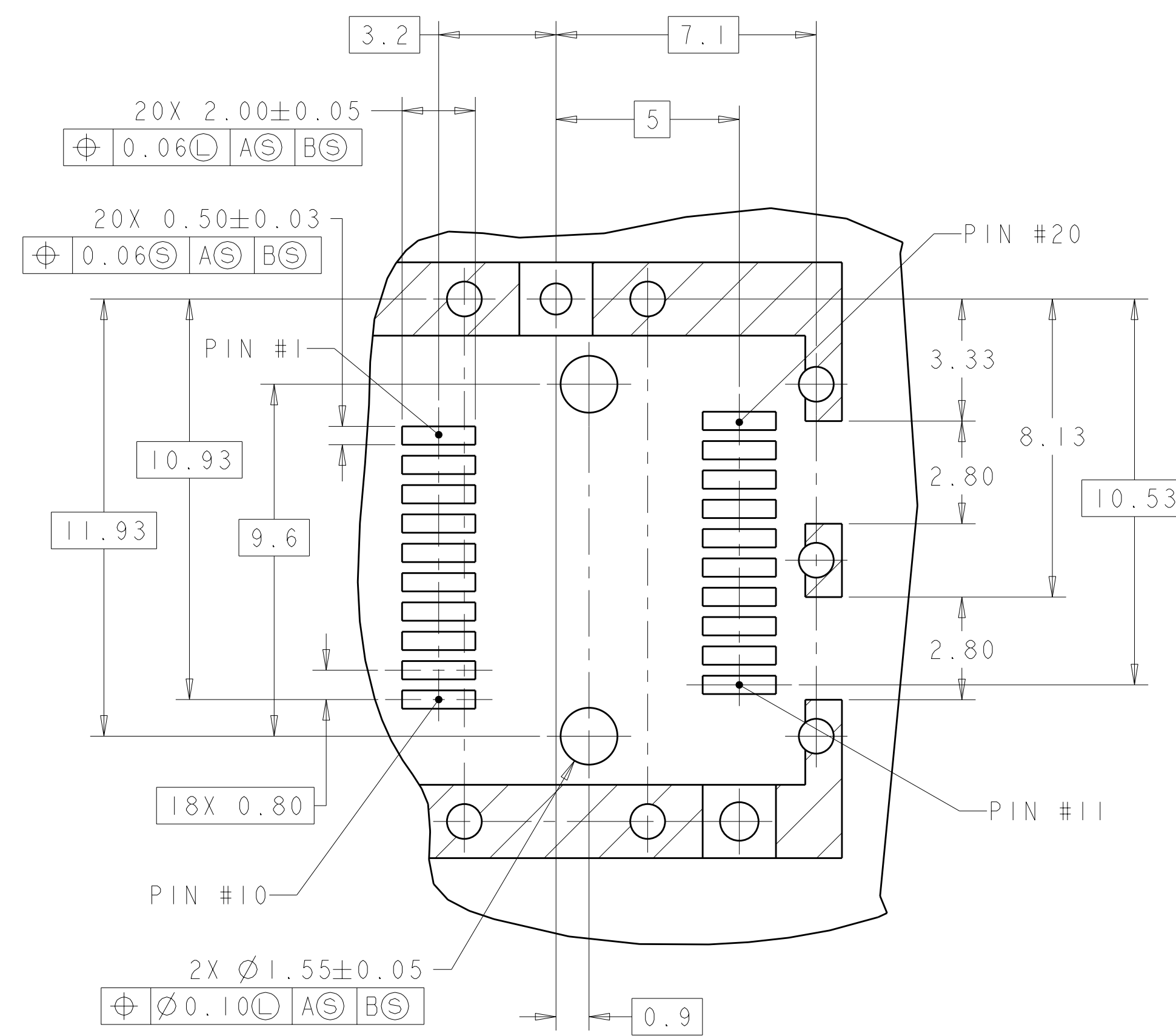
LOC	DIST	REV	DATE	BY	APPD
GP	00				



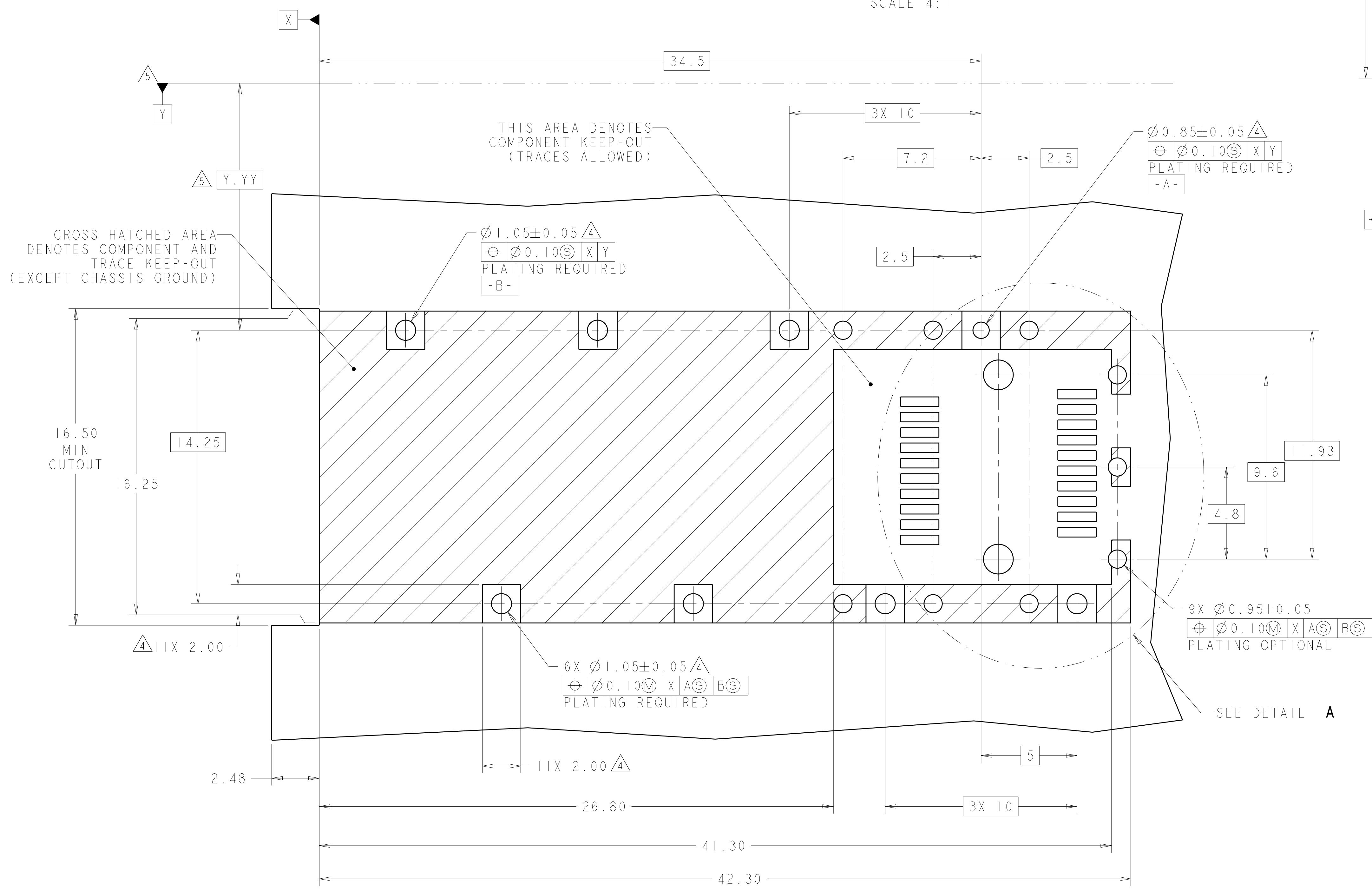
RECOMMENDED BEZEL CUTOUT  
SCALE 4:1



RECOMMENDED BEZEL AND  
PC BOARD ORIENTATION  
SCALE 4:1



DETAIL A  
SCALE 8:1



RECOMMENDED PCB LAYOUT  
SCALE 8:1

THIS DRAWING IS A CONTROLLED DOCUMENT.		DWN M. SCHMITT 2/FEB/2008	TE Connectivity
DIMENSIONS: mm		CHK M. SCHMITT 2/FEB/2008	
TOLERANCES UNLESS OTHERWISE SPECIFIED:		APVD M. WALMSLEY 2/FEB/2008	NAME: SFP+ 1X1 CAGE ASSEMBLY W/ HEATSINK OPENING, SHORT SOLDER TAILS, EXTERNAL EMI SPRINGS
9 PLC ±0.1	1 PLC ±0.1	PRODUCT SPEC: 108-2364	SIZE: CAGE CODE: DRAWING NO: A100779C=2057021
3 PLC ±0.1	5 PLC ±0.05	APPLICATION SPEC: 114-13120	RESTRICTED TO: -
4 PLC ±0.05	ANGLES ±0.05	WEIGHT: -	SCALE: 6:1 SHEET: 2 OF 2 REV: C
MATERIAL: -	FINISH: -	CUSTOMER DRAWING	

单击下面可查看定价，库存，交付和生命周期等信息

[>>TE Connectivity\(泰科\)](#)