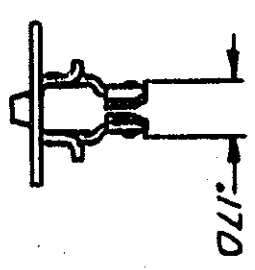
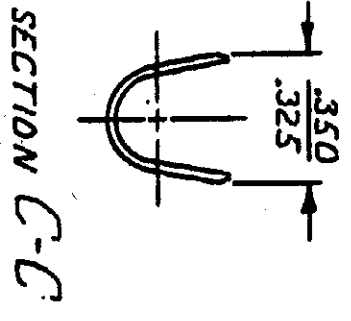
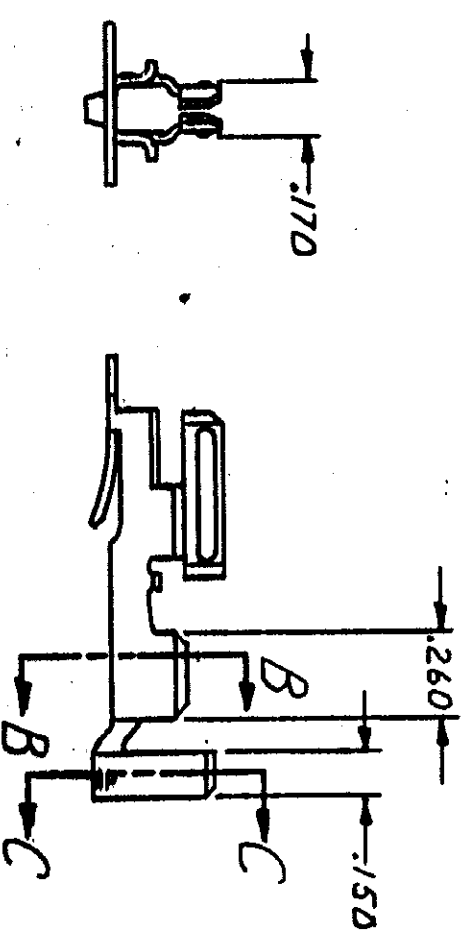
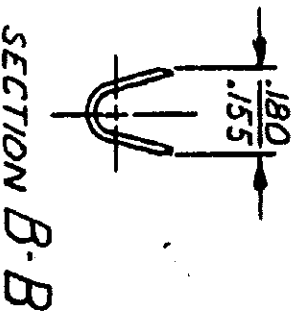
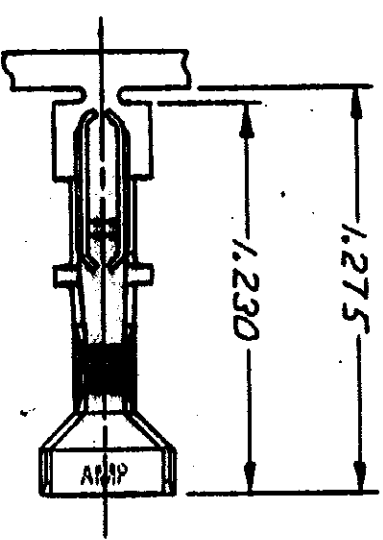


© COPYRIGHT 1977-74 BY AMP INCORPORATED, HARRISBURG, PA.
 ALL INTERNATIONAL RIGHTS RESERVED. AMP INCORPORATED PRODUCTS
 COVERED BY U. S. AND FOREIGN PATENTS AND/OR PATENTS PENDING.

REVISIONS					
P	ZONE	LTR	DESCRIPTION	DATE	APPROVED
✓	F		SUPERSEDED & REDRAWN	M-4479	5-2-77 MSF/R.H.
✓	G		REV PER. ECN CM 121	3/1/85	B.D. / R.S.
✓	G1		RESTORED		Notes: 2-1-15
✓	H		RESTORED		ECN 5065
✓	J		REV. PER. ECN OF TR 1		FW 04 DC/JSB



UNLESS OTHERWISE SPECIFIED DIMENSIONS ARE IN INCHES. TOLERANCES ON: DECIMALS ±.015 ANGLES ±1°05'		CONTRACT NO. DR 072 Feb 5-12-77 CHK D.S. Schilde 10/1/77 APPD [Signature] 10/1/77 DESIGN APPD OTHER APPD		NAME TERMINAL, HIGH CURRENT, HERMAPHRODITIC	
MATERIAL PHOS BRZ		FINISH TIN		INSULATION DIA 270 MAX	
WIRE RANGE 16-12 AWG.		PART NO 350651-1		AMP INCORPORATED Harrisburg, Pa.	
SIZE B		CODE IDENT NO 00779		DRAWING NO 350651	
SCALE —		SHEET 1 OF 1		AMP INCORPORATED Harrisburg, Pa.	

单击下面可查看定价，库存，交付和生命周期等信息

[>>TE Connectivity\(泰科\)](#)