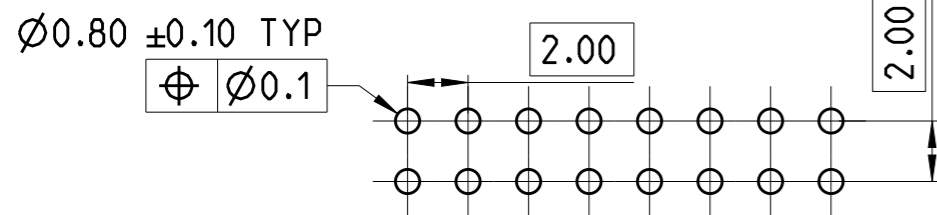
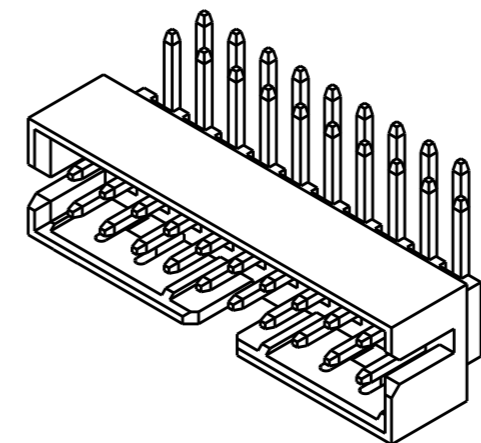
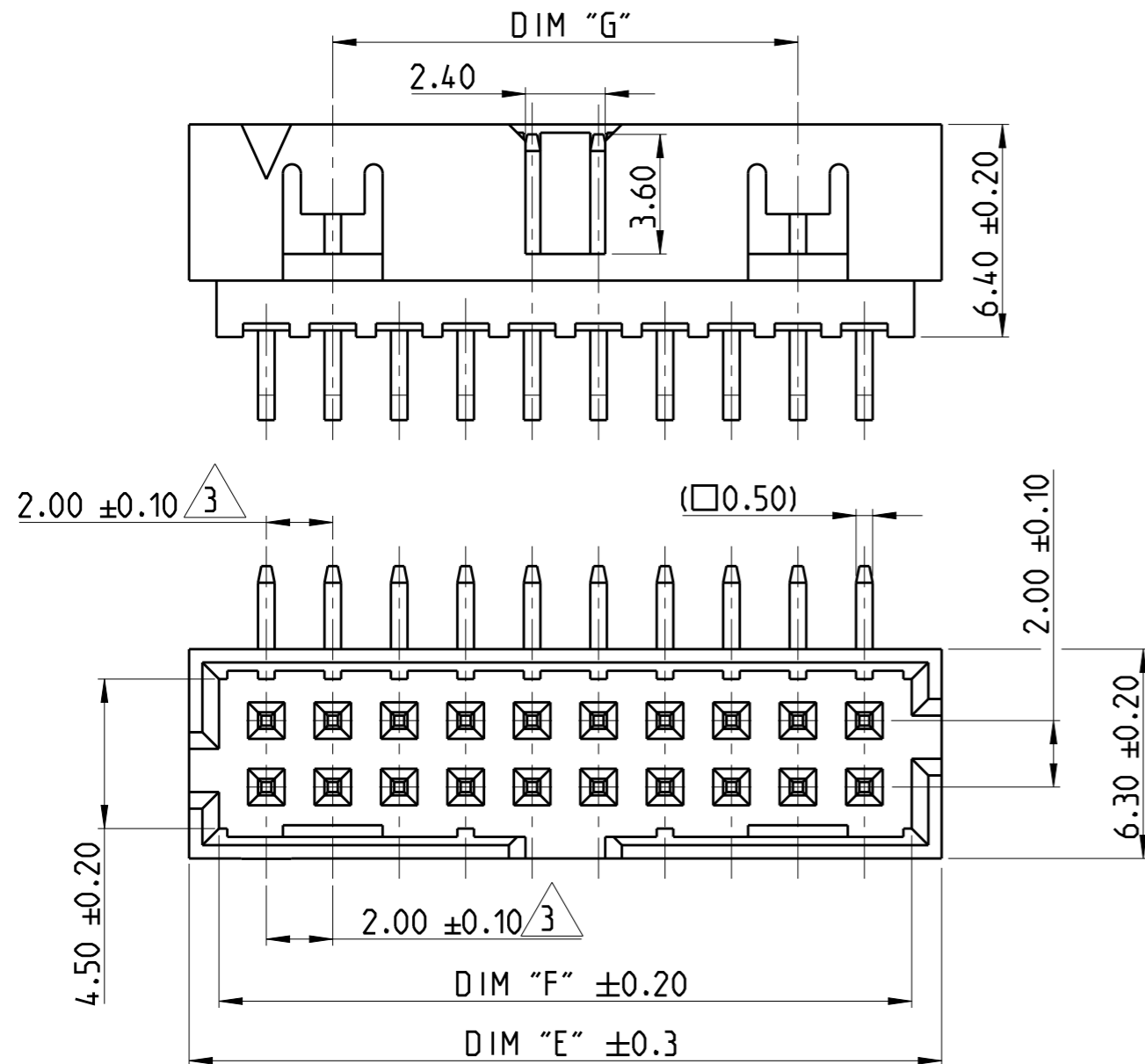


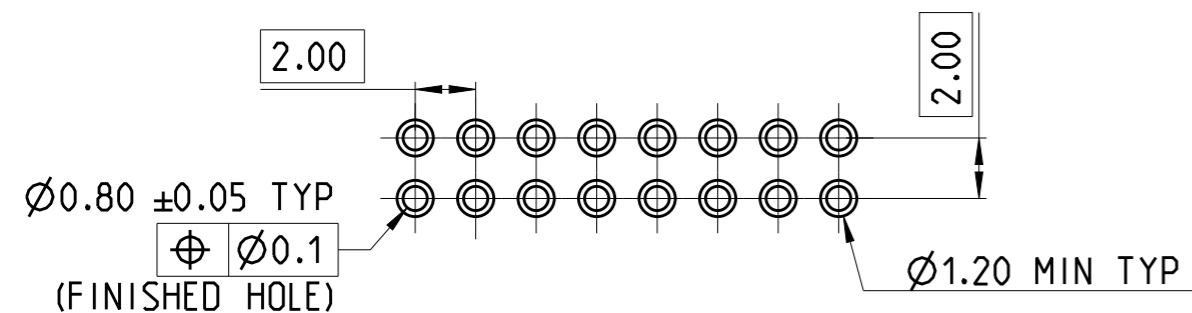
| P | LTR | DESCRIPTION | DATE | DWN | APVD |
|---|-----|-----------------------|-----------|-----|------|
| A | | RELEASE TO PRODUCTION | 29NOV2019 | AY | PS |

NOTES:

- MATERIAL
HOUSING : HIGH TEMPERATURE THERMOPLASTIC, UL94-V0; COLOR- BLACK
CONTACT PIN : COPPER ALLOY
FINISH : MIN. 2.0 μm TIN OVER NICKEL UNDER PLATING.
- PACKAGING: TUBE.
- TOLERANCE NOT CUMULATIVE.



RECOMMENDED PCB HOLE PATTERN FOR THROUGH HOLE WAVE



RECOMMENDED PCB HOLE PATTERN FOR THROUGH HOLE REFLOW/PIN-IN-PASTE

2-2842247-0 AS SHOWN

| | |
|-------------|----------|
| CONTACT PIN | 2 |
| HOUSING | 1 |
| DESCRIPTION | ITEM NO. |

| DIM "G" | DIM "F" | DIM "E" | POS. | TE PN |
|---------|---------|---------|------|-------------|
| 44 | 50.85 | 52.65 | 50 | 5-2842247-0 |
| 38 | 44.85 | 46.65 | 44 | 4-2842247-4 |
| 34 | 40.85 | 42.65 | 40 | 4-2842247-0 |
| 28 | 34.85 | 36.65 | 34 | 3-2842247-4 |
| 24 | 30.85 | 32.65 | 30 | 3-2842247-0 |
| 20 | 26.85 | 28.65 | 26 | 2-2842247-6 |
| 18 | 24.85 | 26.65 | 24 | 2-2842247-4 |
| 14 | 20.85 | 22.65 | 20 | 2-2842247-0 |
| 10 | 16.85 | 18.65 | 16 | 1-2842247-6 |
| 8 | 14.85 | 16.65 | 14 | 1-2842247-4 |

THIS DRAWING IS A CONTROLLED DOCUMENT.

| | | | |
|--------------------|---|---|---|
| DIMENSIONS: mm | TOLERANCES UNLESS OTHERWISE SPECIFIED: 0 PLC ± 1 PLC ± 2 PLC ±0.25 3 PLC ± 4 PLC ± ANGLES ±2° | DWN ANKIT YADAV 09SEP2019 CHK KARTHIK JK 12SEP2019 APVD PRASHANTH S 13SEP2019 PRODUCT SPEC 108-64040 APPLICATION SPEC 114-32259 WEIGHT - | NAME AMPMODU 2mm SHROUDED HEADER, DUAL ROW, RIGHT ANGLE, Sn, TUBE SIZE A3 CAGE CODE 00779 DRAWING NO C-2842247 RESTRICTED TO - |
| MATERIAL SEE NOTES | FINISH SEE NOTES | CUSTOMER DRAWING | SCALE 5:1 SHEET 1 OF 1 REV A |

单击下面可查看定价，库存，交付和生命周期等信息

[>>TE Connectivity\(泰科\)](#)