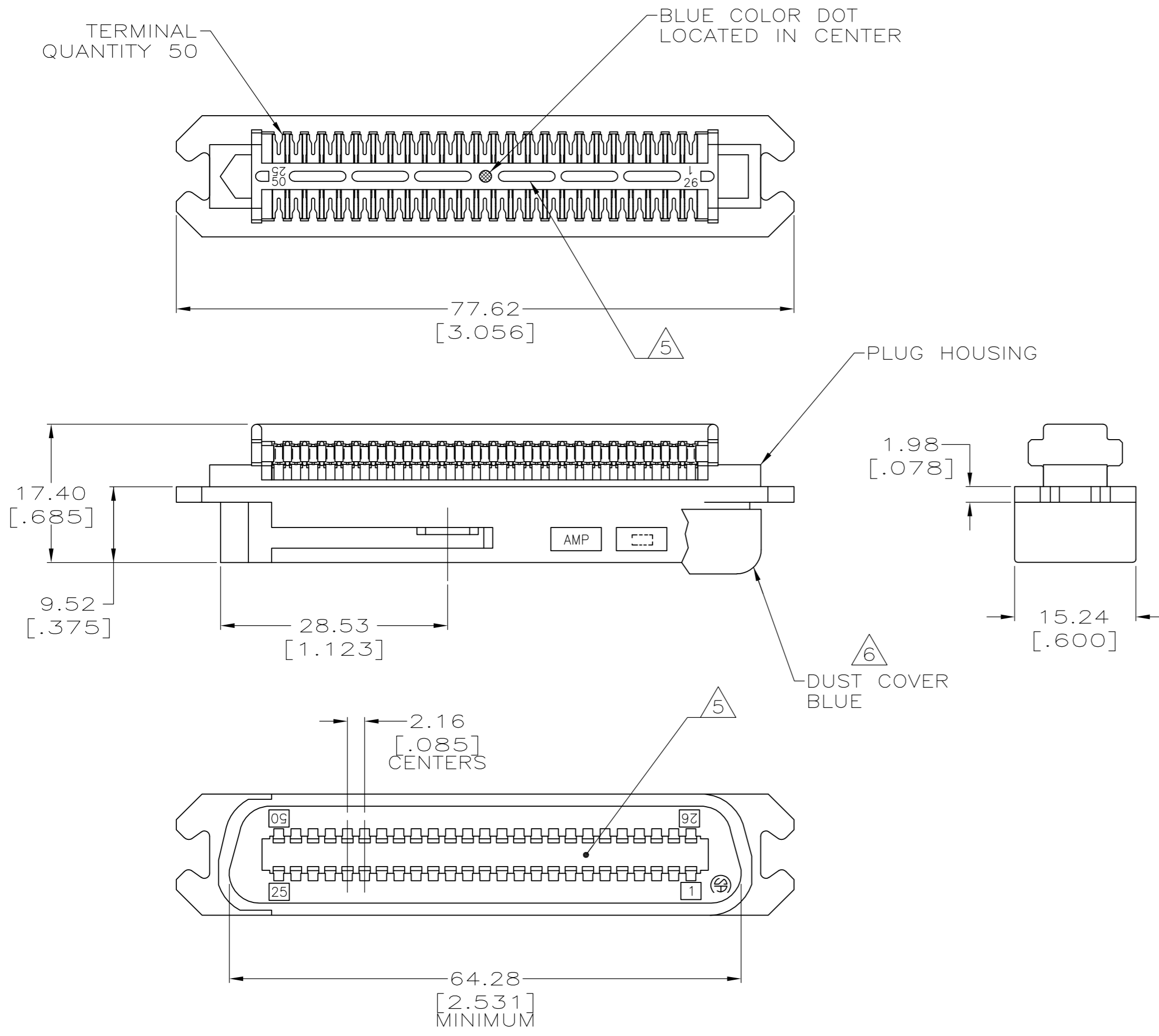


THIS DRAWING IS UNPUBLISHED. RELEASED FOR PUBLICATION  
 © COPYRIGHT - By - ALL RIGHTS RESERVED.

LOC		DIST		REVISIONS			
P	LTR	DESCRIPTION		DATE	DWN	APVD	
GP	00	S1		REVISED PER ECO-11-005140	28MAR11	RK HMR	

1. THE CONTACT SURFACES OF THE TERMINALS ARE COATED WITH LUBRICANT.
2. MATERIAL: HOUSING - POLYPHEYLENE OXIDE, BLACK. TERMINAL - HIGH STRENGTH COPPER ALLOY PLATED WITH 0.76µm [.000030] MIN GOLD OR GOLD FLASH OVER PALLADIUM NICKEL PLATE, 0.76µm [.000030] MIN TOTAL ON MATING SURFACE. 1.27µm [.000050] MIN NICKEL UNDERPLATE OVER ENTIRE TERMINAL.
3. ALL DIMENSIONS SHOWN ARE FOR REFERENCE ONLY UNLESS OTHERWISE SPECIFIED.
4. WIRE SIZE: 24 & 26 AWG SOLID OR 24 AWG 7 STRANDS OF COPPER CONDUCTORS. MAX INSULATION DIAMETER OF 1.14[.045] IS ACCEPTABLE FOR MOST APPLICATIONS.
5. CORING MAY OR MAY NOT APPEAR AND IS AT THE DISCRETION OF AMP.
6. DUST COVER, IF INCLUDED, IS SHIPPED NOT ASSEMBLED.



NO	552032-1
DUST COVER	PART NUMBER

THIS DRAWING IS A CONTROLLED DOCUMENT.		DWN	DL DRUMMOND	01JUN01	 TE Connectivity PLUG ASSEMBLY, 50 POSITION, B-SLOT, BAIL LOCK, CHAMP-LOK			
DIMENSIONS: mm [INCHES]		CHK	DL DRUMMOND	01JUN01				
TOLERANCES UNLESS OTHERWISE SPECIFIED:		APVD	EW BEILES	01JUN01				
0 PLC ± - 1 PLC ± - 2 PLC ± - 3 PLC ± - 4 PLC ± - ANGLES ± -		PRODUCT SPEC	NAME					
MATERIAL		FINISH		WEIGHT	SIZE	CAGE CODE	DRAWING NO	RESTRICTED TO
				-	A2	00779	C=552032	-
CUSTOMER DRAWING				SCALE	2:1	SHEET	1 of 1	REV
								S1

552032

单击下面可查看定价，库存，交付和生命周期等信息

[>>TE Connectivity\(泰科\)](#)