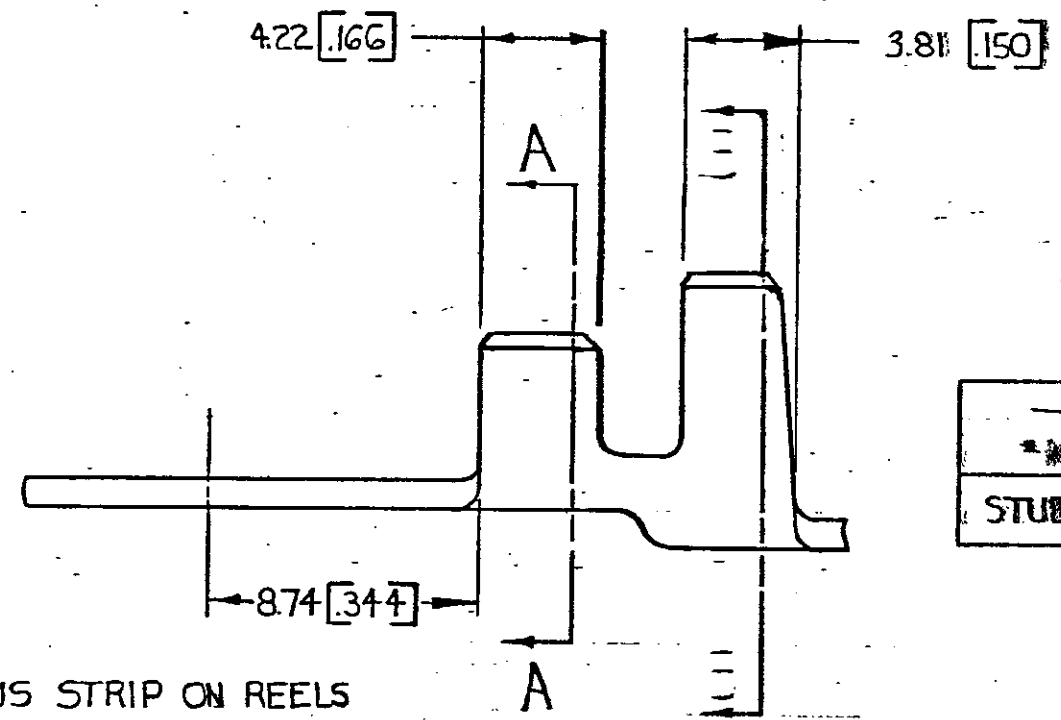
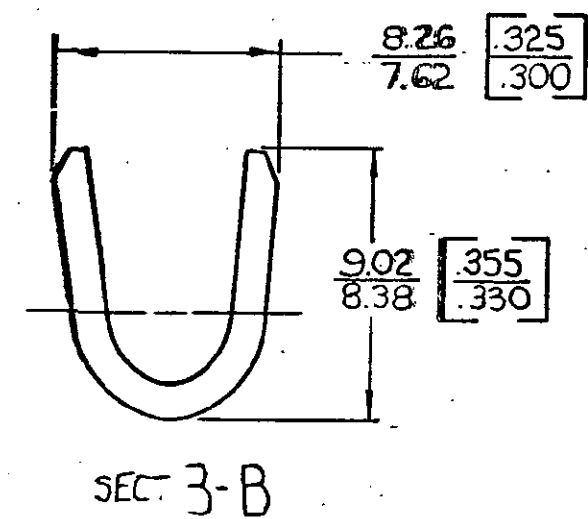
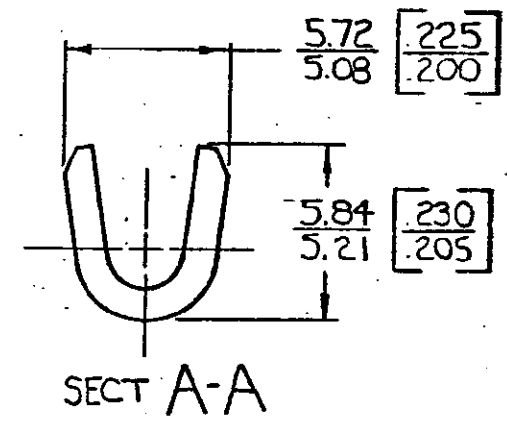
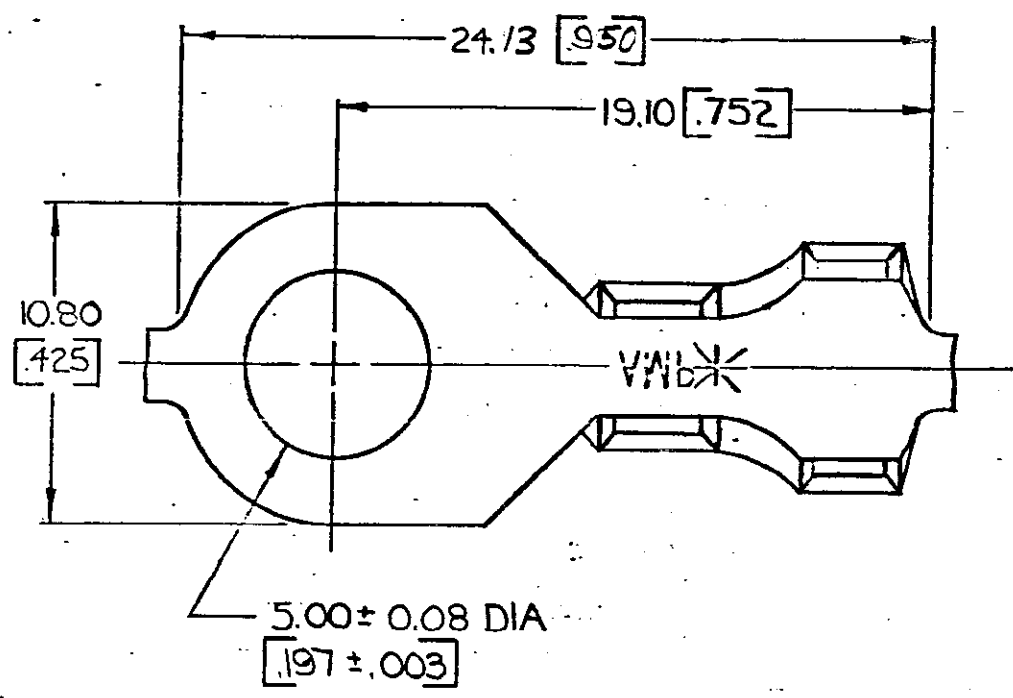


© COPYRIGHT 1968 BY AMP INCORPORATED, HARRISBURG, PA.  
ALL INTERNATIONAL RIGHTS RESERVED. AMP INCORPORATED PRODUCTS  
COVERED BY U. S. AND FOREIGN PATENTS AND/OR PATENTS PENDING.

| REVISIONS |      |     |                          |            |          |
|-----------|------|-----|--------------------------|------------|----------|
| P         | ZONE | LTR | DESCRIPTION              | DATE       | APPROVED |
| ✓         |      | A   | REDRAWN & REVISED A-3943 | 4-26-78    | DG       |
| ✓         |      | B   | REV PER AF-3347          | 7/2/92     | PMF/64   |
|           |      | C   | REV PER D71-137-96       | 19/June/96 | PMF/64   |



1. CONTINUOUS STRIP ON REELS  
2. DIMENSIONS IN BRACKETS ARE IN INCHES

**METRIC**

|  |                                       |                                     |                                   |                     |         |
|--|---------------------------------------|-------------------------------------|-----------------------------------|---------------------|---------|
| STUD SIZE  | WIRE RANGE                            | INSULATION RANGE                    | FINISH                            | MATERIALS           | PART NO |
| 20   | 2.0 - 3.0 mm <sup>2</sup><br>[4 - 12] | 4.32 - 5.33<br>[170 - 210]          | TIN                               | 1.02 [040]<br>BRASS | 42639-1 |
| UNLESS OTHERWISE SPECIFIED DIMENSIONS ARE IN INCHES. TOLERANCES ON DECIMALS ±0.03 [015] ANGLES ±1° |                                       |                                     | CONTRACT NO                       |                     |         |
| MATERIAL<br>SEE TABLE  |                                       |                                     | DR <i>Donald Q. Good 4/21/78</i>  |                     |         |
| FINISH<br>SEE TABLE  |                                       |                                     | CHK <i>Wayne D. Davis 7-25-78</i> |                     |         |
|  |                                       |                                     | APPD <i>R.P. Frantz 8-3-78</i>    |                     |         |
|  |                                       |                                     | APPD <i>C. J. Gibe 8-15-78</i>    |                     |         |
|  |                                       |                                     | DSGN APPD                         |                     |         |
|  |                                       |                                     | OTHER APPD                        |                     |         |
| NAME   |                                       | AMP INCORPORATED<br>Harrisburg, Pa. |                                   |                     |         |
| RING   |                                       |                                     |                                   |                     |         |
| SIZE   | IDENT NO                              | DRAWING NO                          |                                   |                     |         |
| B  | 00779                                 | 42639                               |                                   |                     |         |
| SCALE  |                                       |                                     |                                   | SHEET               |         |

单击下面可查看定价，库存，交付和生命周期等信息

[>>TE Connectivity\(泰科\)](#)