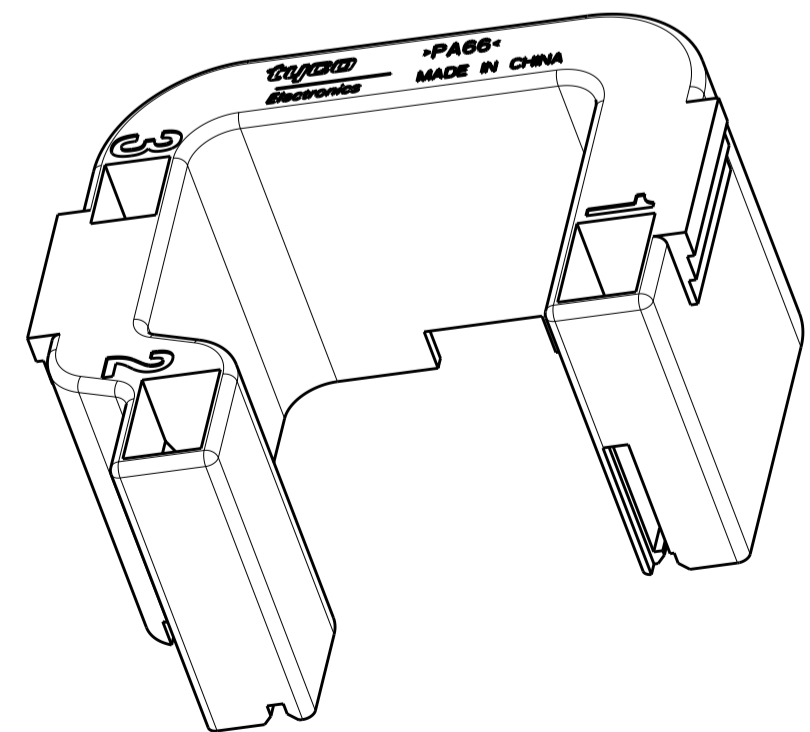
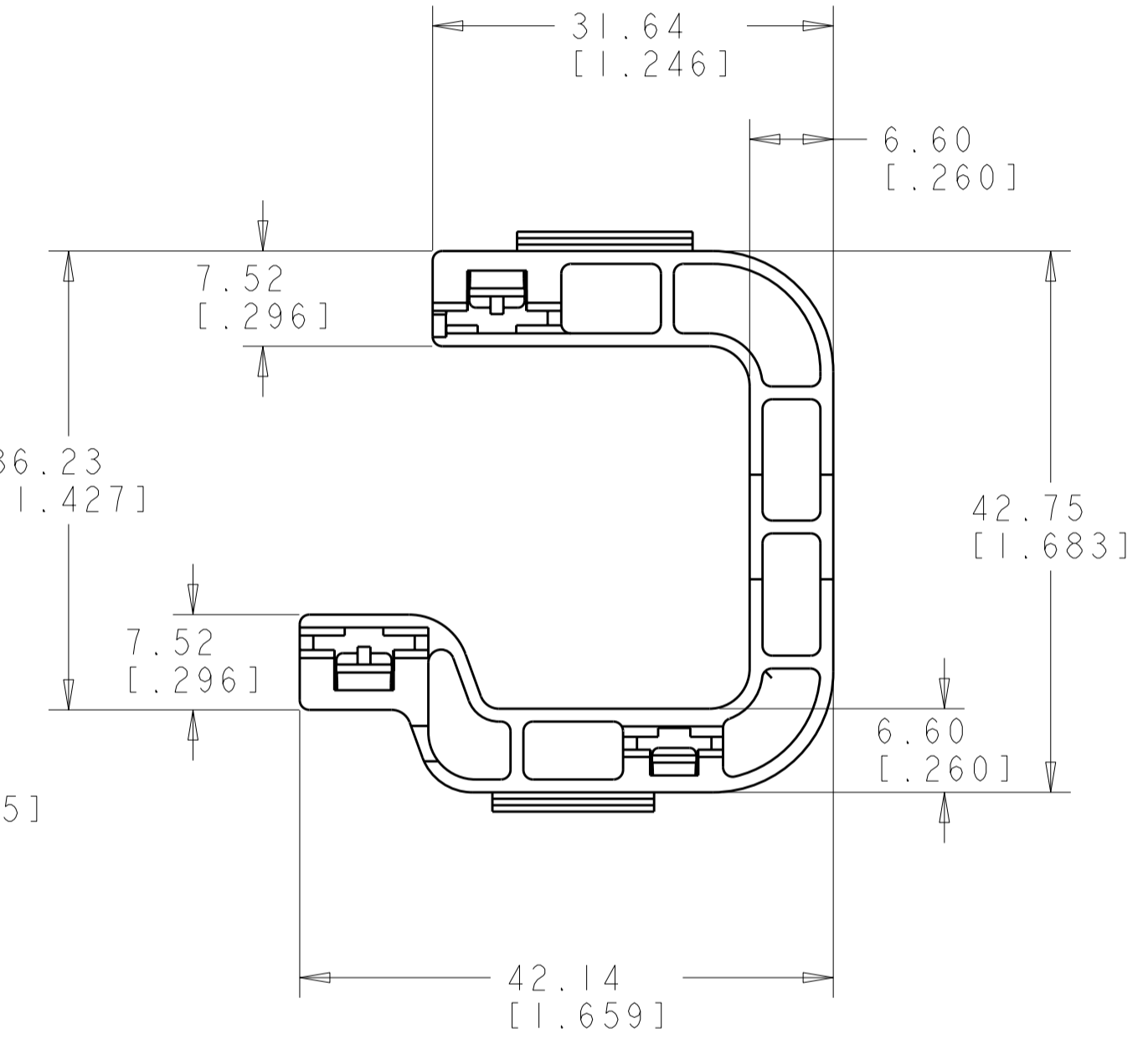
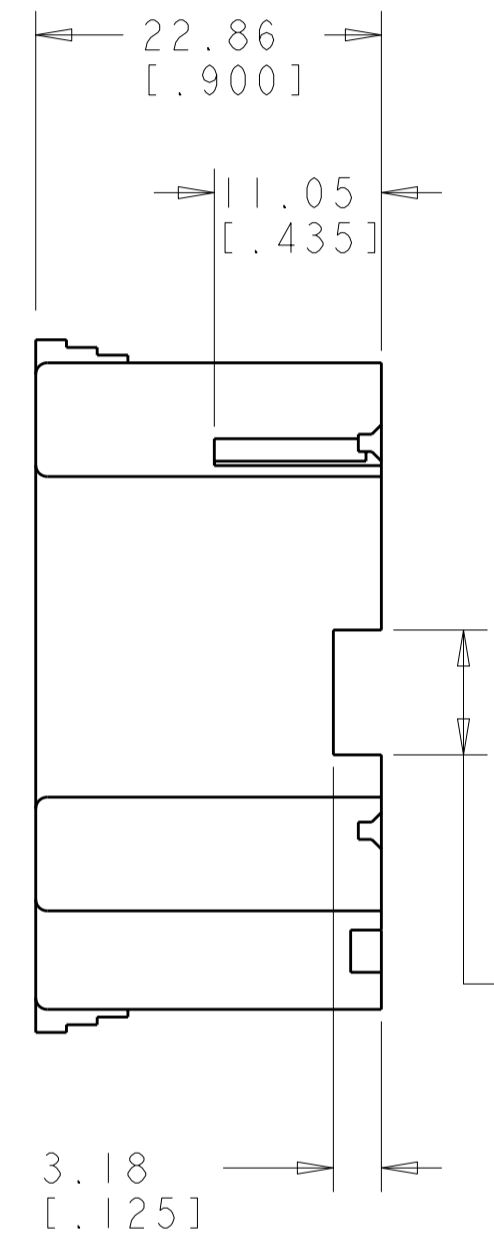
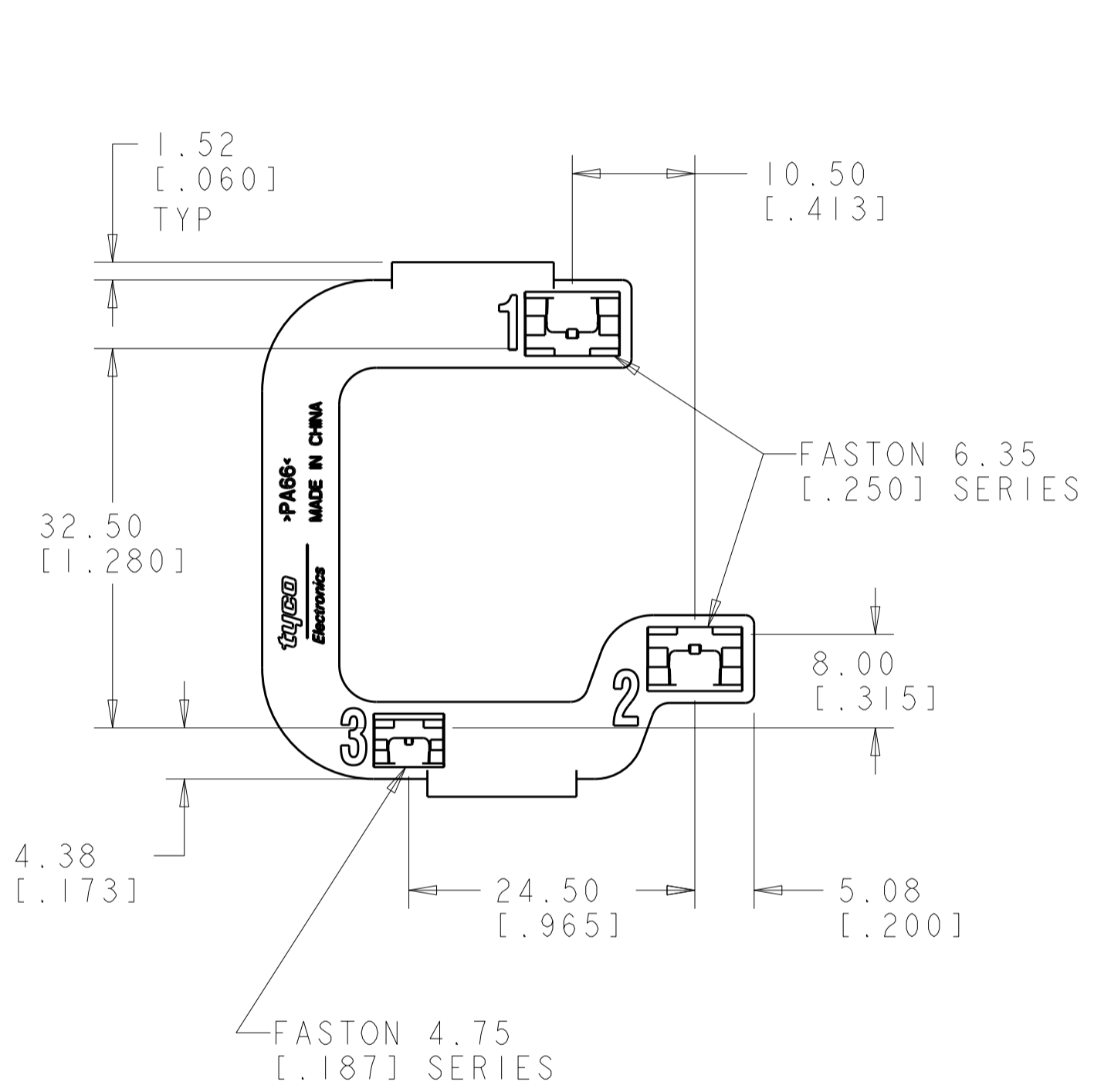


LOC	DIST	REVISIONS			
P	LTR	DESCRIPTION	DATE	DWN	APVD
AF	50	AI	REVISED PER ECR-10-003745	26FE2010	HMR PD

- RECOMMENDED MATING TAB LENGTH IS 9.78 [.385] MIN.
- RECOMMENDED CENTERLINE SPACING OF TABS TO BE ± 0.127 [.005].
- MATERIAL: NYLON 66, UL94 V-2, ELECTRICAL RTI 125 °C MIN.



NATURAL	1738473-1
COLOR	PART NUMBER

THIS DRAWING IS A CONTROLLED DOCUMENT FOR TYCO ELECTRONICS CORPORATION. IT IS SUBJECT TO CHANGE AND THE CONTROLLING ENGINEERING ORGANIZATION SHOULD BE CONTACTED FOR THE LATEST REVISION.		DWN: J.C. YOSLER 24OCT2003	Tyco Electronics Harrisburg, PA 17105-3608	
DIMENSIONS: mm [INCHES]		CHK: M. LAUERMANN 17NOV2003	NAME: HOUSING, RECEPTACLE FASTON INFINITE SWITCH C	
TOLERANCES UNLESS OTHERWISE SPECIFIED: 0 PLC ±- 1 PLC ±- 2 PLC ±.38 [.015] 3 PLC ±- 4 PLC ±- ANGLES ±2° FINISH		APVD: M. LAUERMANN 02DEC2004	RESTRICTED TO	
MATERIAL: 3		PRODUCT SPEC: -	SIZE: A2	CAGE CODE: 00779
		APPLICATION SPEC: -	DRAWING NO: 1738473	
		WEIGHT: -	SCALE: 2:1	
		CUSTOMER DRAWING	SHEET OF REV AI	

单击下面可查看定价，库存，交付和生命周期等信息

[>>TE Connectivity\(泰科\)](#)