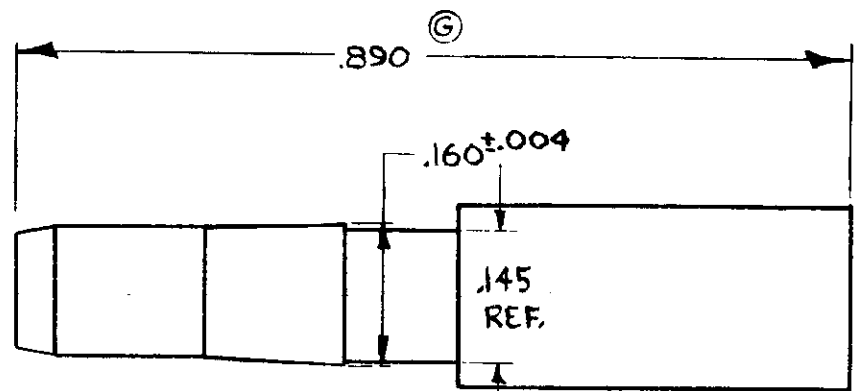


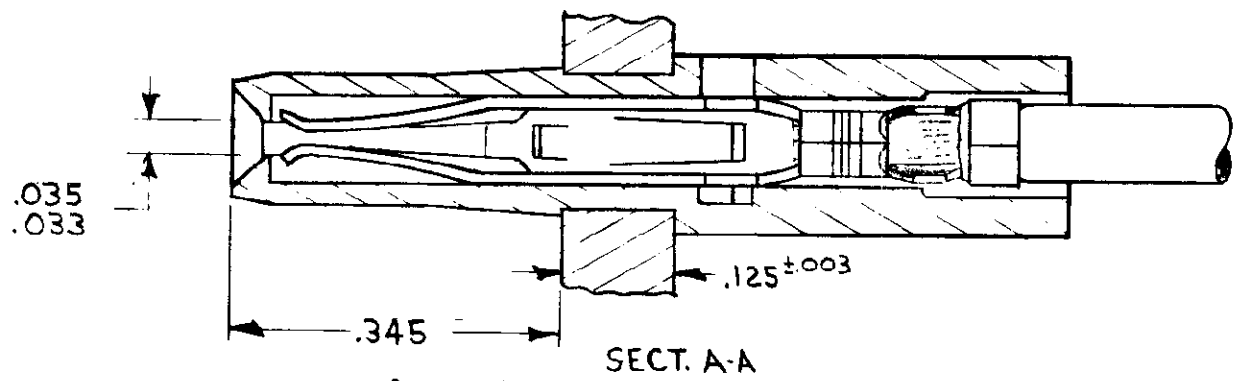
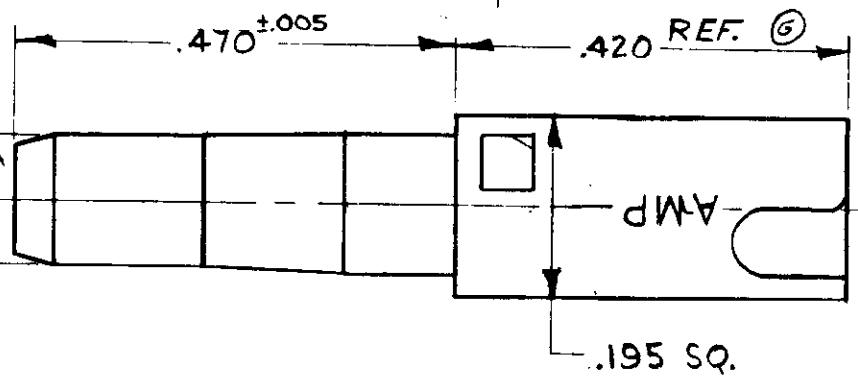
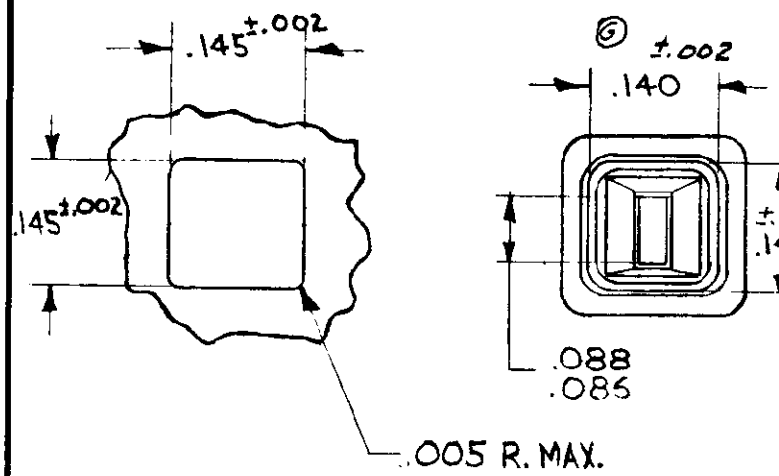
UNPUBLISHED
NUMBER 582289
S

© 1967 BY AMP INCORPORATED. ALL RIGHTS RESERVED. AMP PRODUCTS COVERED BY PATENTS AND/OR PATENTS PENDING.

REVISIONS				
SYM	ZONE	DESCRIPTION	DATE	APPROVAL
F		REDRAWN, ADD SIDE VIEW. PER ECN T-300	3-7-63	MM JK
G		REVISED 2186	8-5-69	m.s. d.H.
H	✓	REVISED 3014	5-18-71	m.s. d.H.



582289-1 I. AS SHOWN



NOTE: TO MATE WITH .032 MALE TAB. X.080±.005

QTY REQD	PART OR IDENTIFYING NO.	NOMENCLATURE OR DESCRIPTION			
LIST OF MATERIALS OR PARTS LIST					
UNLESS OTHERWISE SPECIFIED DIMENSIONS ARE IN INCHES TOLERANCES ON FRACTIONS ± 1/64 DECIMALS ± .010 ANGLES ± 1°			SIGNATURE	DATE	 AMP INCORPORATED HARRISBURG, PENNSYLVANIA DUO-TYNE LEAF-HOUSING
			DR <i>M.A. Melis</i>	3-7-63	
MATERIAL	ZYTEL 101 - WHITE	CHK <i>J. Kaufman</i>	8-63		
HEAT TREAT	—	DSGN ENGR <i>[Signature]</i>	3/11/63		
FINISH	—	APPD <i>[Signature]</i>	3/11/63	DSGN APPD	
AMP INFO LOC AD H 14			OTHER APPD		CODE IDENT NO 00779 SIZE B NUMBER 582289
			SCALE 5-1	WT CALL ACTUAL	SHEET 1 OF 1

单击下面可查看定价，库存，交付和生命周期等信息

[>>TE Connectivity\(泰科\)](#)