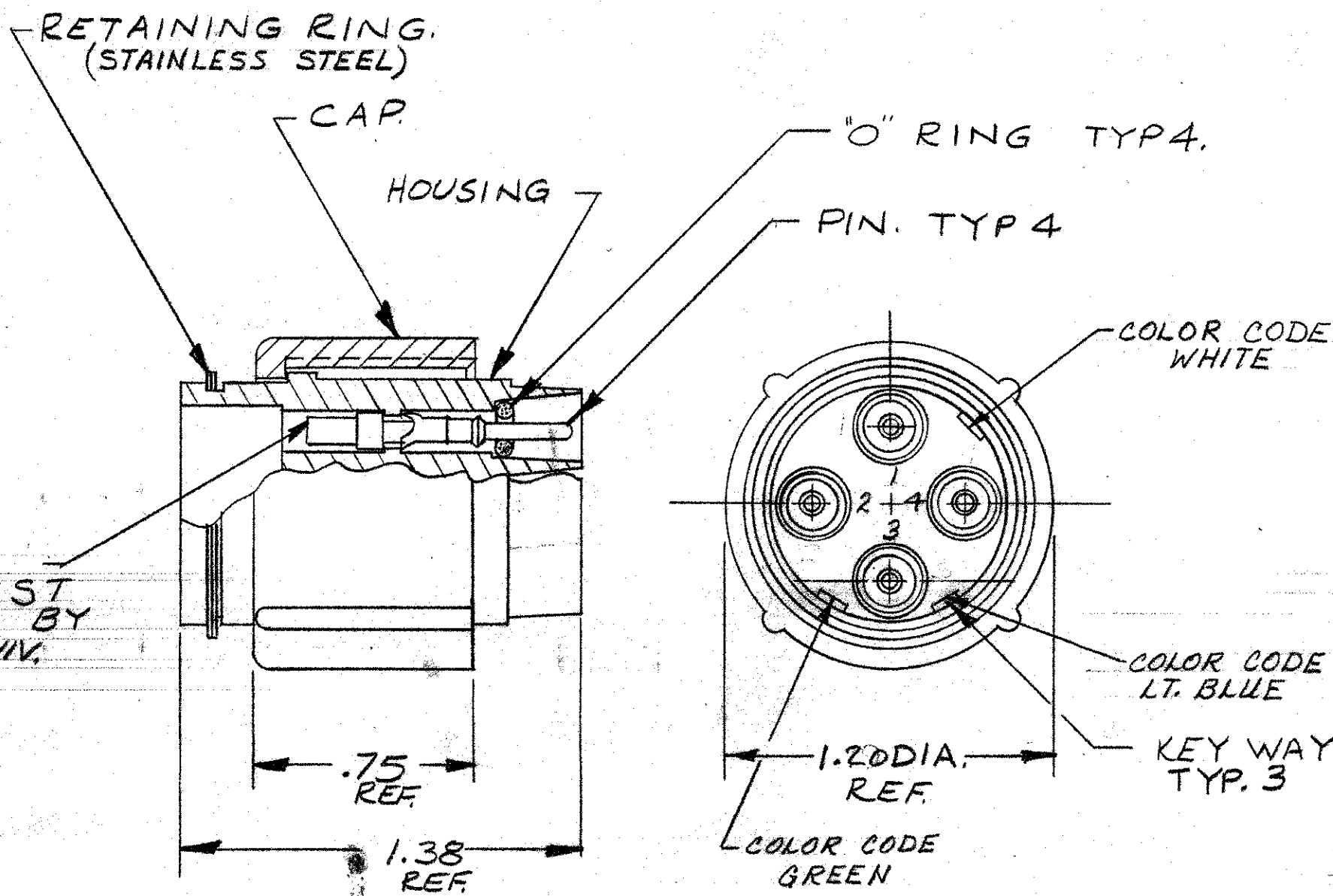


©1972 BY AMP INCORPORATED. ALL RIGHTS RESERVED. AMP PRODUCTS COVERED BY PATENTS AND/OR PATENTS PENDING.

THIS PRODUCT DESIGNED AND BUILT BY AMP INCORPORATED. NO LICENSE TO USE THAT DESIGN IN MANUFACTURE, OR TO USE ANY ISSUED OR PENDING PATENTS WHICH ARE INVOLVED, IS IMPLIED.

| REVISIONS |     |                                                                       |                   |          |
|-----------|-----|-----------------------------------------------------------------------|-------------------|----------|
| ZONE      | LTR | DESCRIPTION                                                           | DATE              | APPROVED |
|           | A   | 1.19 DIA WAS 1.12 & RET. RING WAS RUBBER; ADDED COLOR CODE TO KEYWAYS | 3/14/72           | M.S.     |
|           | B   | ADDED -2<br>ADDED NOTE 3 & 4                                          | 1/10/74           | M.S.     |
|           | C   | ADDED -3                                                              | 2-26-76           | M.S.     |
|           | D   | ADDED -4, -5, -6                                                      | 6-30-77           | M.S.     |
|           | E   | OBSOLETE -3, -6                                                       | ECN 53615 11-5-86 | R.S.     |
|           | F   | REV PER 0414-120-04                                                   | CT 10-04          | CT       |



- NOTE:
- MARKING, WHITE.
  - #16 GA. PINS. GOLD PLATED PER MIL-G-45204, TYPE II, .00005 THK. MIN.
  - PLUG & PINS SHIPPED SEPARATELY.
  - TYPE II PINS TO ACCEPT (1) 22 AWG, (1) 20 AWG, OR (1) 24 AWG STRANDED WIRE
  - TYPE II PINS TO ACCEPT (1) 16 AWG, OR 18 AWG STRANDED WIRE
  - TO REMOVE PINS USE EXTRACTION TOOL NO. 860751-1
  - TYPE II PINS TO ACCEPT ONE (1) 14 AWG STRANDED WIRE.

| AMP P/N      | WIRE SIZE RANGE | HAND TOOL | COLOR CODING |
|--------------|-----------------|-----------|--------------|
| 860265-1     | 20, 22, 24      | 45099     | YES          |
| -2           | 16, 18          | 45098     | YES          |
| OBS -3       | 14              | 45098     | YES          |
| -4           | 20, 22, 24      | 45099     | NO           |
| -5           | 16, 18          | 45098     | NO           |
| OBS 860265-6 | 14              | 45098     | NO           |

| QTY REQD                                                                              | QTY REQD   | ITEM NO.  | DWG SIZE | PART OR IDENTIFYING NO. | NOMENCLATURE OR DESCRIPTION                                    | SYMBOL               |
|---------------------------------------------------------------------------------------|------------|-----------|----------|-------------------------|----------------------------------------------------------------|----------------------|
|                                                                                       |            |           |          |                         | PARTS LIST                                                     |                      |
| UNLESS OTHERWISE SPECIFIED: DIMENSIONS ARE IN INCHES TOLERANCES .00 ± ANGLES = .000 ± |            |           |          | CONTRACT NO. 3-25-72    | AMP INCORPORATED CAPITRON DIVISION ELIZABETHTOWN, PENNSYLVANIA |                      |
| MATERIAL: MOLDED PLASTIC                                                              |            |           |          | DR. C. Stone            | NAME: PLUG ASS'Y A PIN.                                        |                      |
| FINISH: BLACK.                                                                        |            |           |          | CHK. M. Andra 3/25/72   | EGH.                                                           |                      |
| NEXT ASSY                                                                             | FINAL ASSY | NEXT ASSY | USED ON  | DSGN APPD               | SIZE C                                                         | CODE IDENT NO. 00779 |
|                                                                                       |            |           |          | OTHER APPD              | NUMBER 860265                                                  | REV F                |
| APPLICATION                                                                           |            |           |          | SCALE NONE              | WT                                                             | SHEET 1 OF 1         |

单击下面可查看定价，库存，交付和生命周期等信息

[>>TE Connectivity\(泰科\)](#)