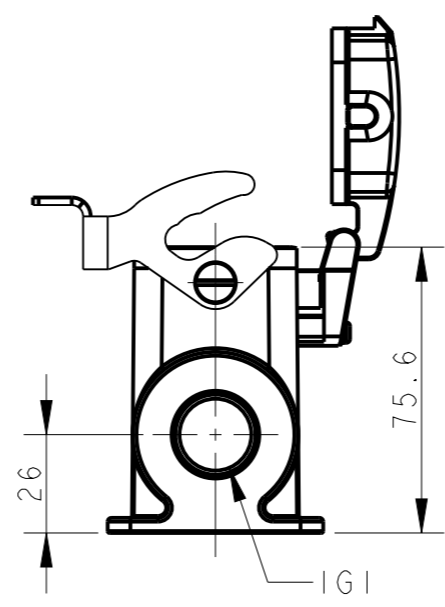
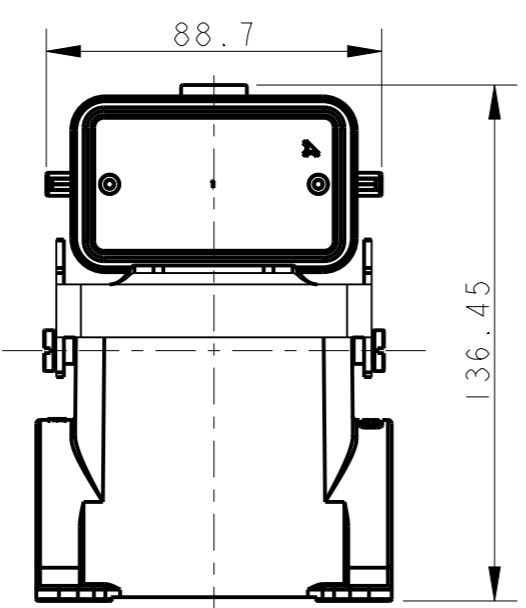
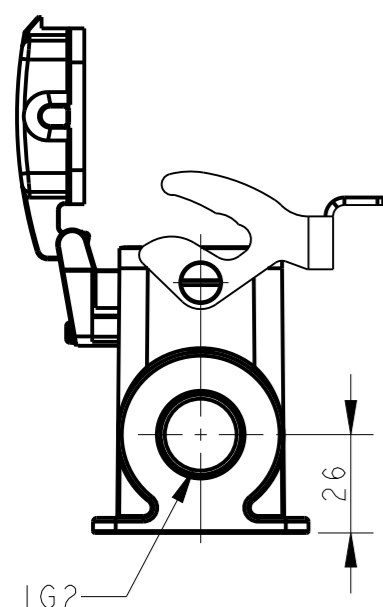
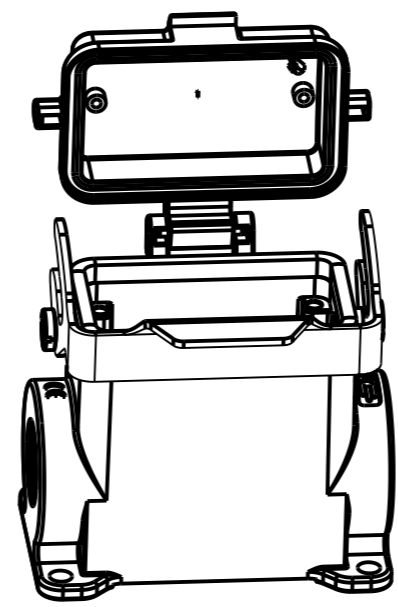
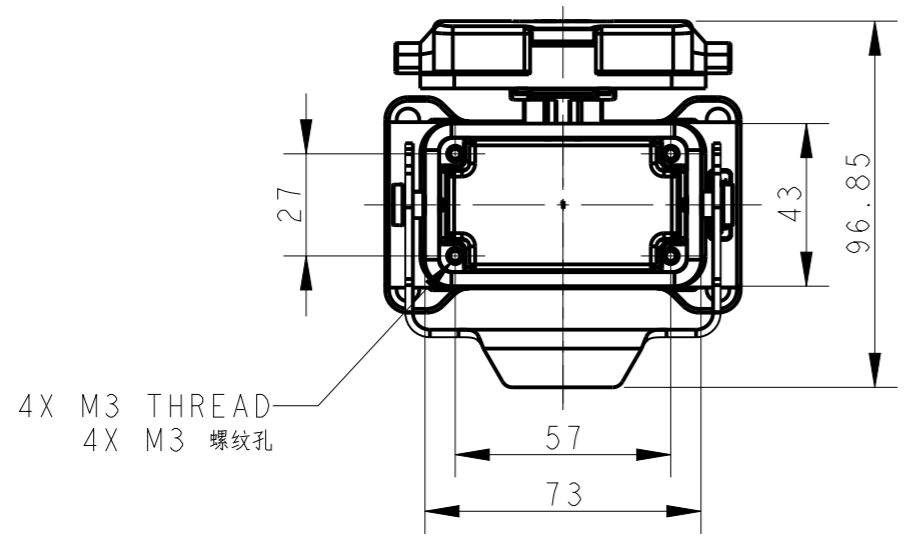


THIS DRAWING IS UNPUBLISHED. RELEASED FOR PUBLICATION 20
 © COPYRIGHT 20 BY - ALL RIGHTS RESERVED.

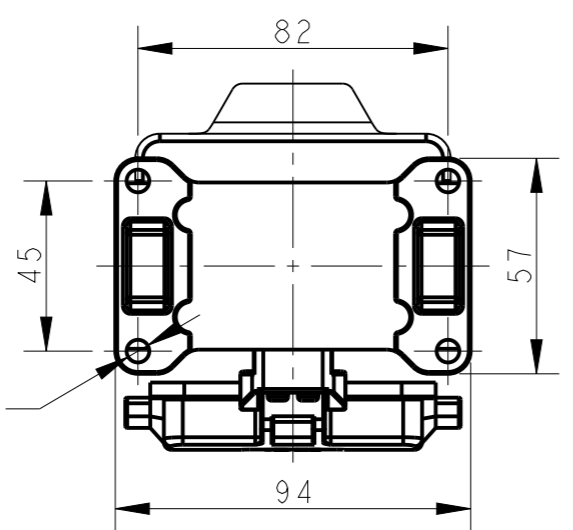
REVISIONS

P	LTR	DESCRIPTION	DATE	DWN	APVD
	A	INITIAL RELEASE	25JUN2015	DL	CW
	B	ECR-20-008181	20JUL2020	WQR	CW



NOTES:
 1. TECHNICAL CHARACTERISTICS:
 BODY MATERIAL: DIE CAST ALUMINIUM ALLOY
 SURFACE TREATMENT: POWDER-COATED, GRAY
 DEGREE OF PROTECTION: IP65 (MATED)

注释:
 1. 技术参数:
 主体材料: 铝合金
 表面处理: 粉末喷涂, 灰色
 防护等级: IP65(配合)



T1660103121-000	TYPE I	H10B-SDRH-LB-PG21	PG21	-
T1660103125-000		H10B-SDRH-LB-M25	M25	-
T1660103129-000		H10B-SDRH-LB-PG29	PG29	-
T1660103132-000		H10B-SDRH-LB-M32	M32	-
T1660103221-000		H10B-SDRH-LB-2PG21	PG21	PG21
T1660103225-000		H10B-SDRH-LB-2M25	M25	M25
T1660103229-000		H10B-SDRH-LB-2PG29	PG29	PG29
T1660103232-000		H10B-SDRH-LB-2M32	M32	M32
ASSEMBLY PART NUMBER	TYPE	ASSEMBLY PART DESCRIPTION	IG1	IG2

TYPE I: HIGH BODY + STEEL LOCKING + PLASTIC PROTECTION COVER

THIS DRAWING IS A CONTROLLED DOCUMENT.		DWN DAVID LI 25JUN2015	TE Connectivity	
DIMENSIONS: mm		CHK CHRIS WANG 25JUN2015		
TOLERANCES UNLESS OTHERWISE SPECIFIED:		APVD XU XIANG 25JUN2015	NAME H10B-SDRH-LB-PG/M	
0 PLC ±-		PRODUCT SPEC 108-137013	SIZE A3	
1 PLC ±-		APPLICATION SPEC 114-137013	CAGE CODE -	DRAWING NO C-T166010XXXX000
2 PLC ±-		WEIGHT -	RESTRICTED TO	
3 PLC ±-		CUSTOMER DRAWING	SCALE 1:2	SHEET 1 OF 2
4 PLC ±-				REV B
ANGLES ±-				
FINISH -				
MATERIAL TBD				

THIS DRAWING IS UNPUBLISHED.

RELEASED FOR PUBLICATION

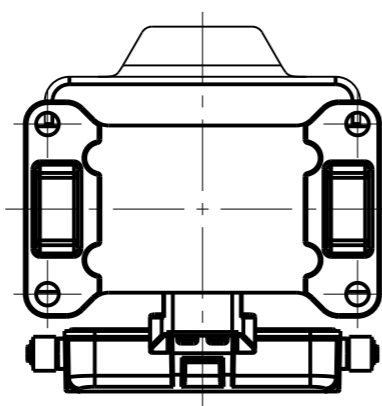
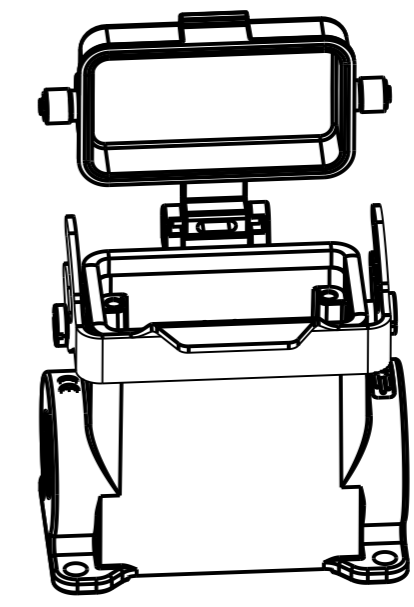
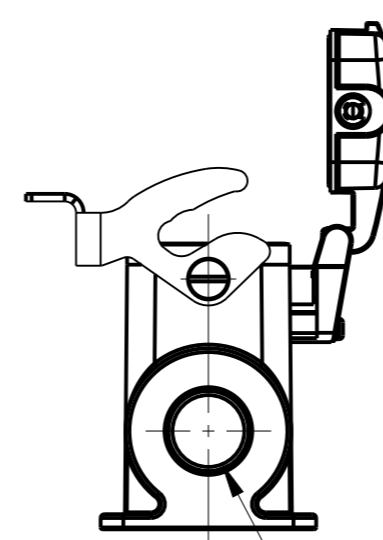
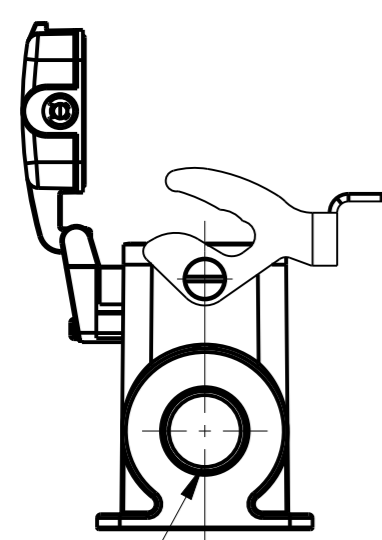
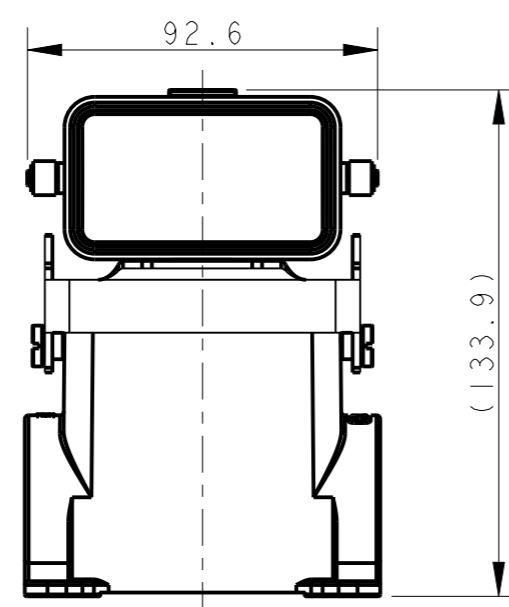
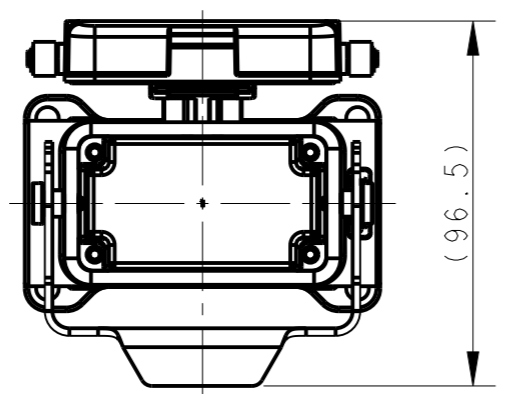
20

© COPYRIGHT 20 BY -

ALL RIGHTS RESERVED.

REVISIONS

P	LTR	DESCRIPTION	DATE	DWN	APVD
-		SEE SHEET 1	-	-	-



T1660103321-000	TYPE 2	H10B-SDRHM-LB-PG21	PG21	-
T1660103329-000		H10B-SDRHM-LB-PG29	PG29	-
T1660103332-000		H10B-SDRHM-LB-M32	M32	-
T1660103421-000		H10B-SDRHM-LB-2PG21	PG21	PG21
T1660103429-000		H10B-SDRHM-LB-2PG29	PG29	PG29
T1660103432-000		H10B-SDRHM-LB-2M32	M32	M32
ASSEMBLY PART NUMBER	TYPE	ASSEMBLY PART DESCRIPTION	IG1	IG2

TYPE 2: HIGH BODY + STEEL LOCKING + METAL PROTECTION COVER
 OTHER SPEC REFER TO TYPE 1

THIS DRAWING IS A CONTROLLED DOCUMENT.		DWN	DAVID LI	25JUN2015	TE TE Connectivity			
DIMENSIONS: mm		CHK	CHRIS WANG	25JUN2015				
TOLERANCES UNLESS OTHERWISE SPECIFIED:		APVD	XU XIANG	25JUN2015				
0 PLC ±- 1 PLC ±- 2 PLC ±- 3 PLC ±- 4 PLC ±- ANGLES ±-		PRODUCT SPEC	108-137013					
MATERIAL	TBD	FINISH	-		NAME	H10B-SDRHM-LB-PG/M		
-		-		APPLICATION SPEC	114-137013		RESTRICTED TO	
-		-		WEIGHT	-		SIZE	A3
-		-		CUSTOMER DRAWING	SCALE	1:2	SHEET	2 OF 2
-		-		-		DRAWING NO		©-T166010XXXX000
-		-		-		REV		B

单击下面可查看定价，库存，交付和生命周期等信息

[>>TE Connectivity\(泰科\)](#)