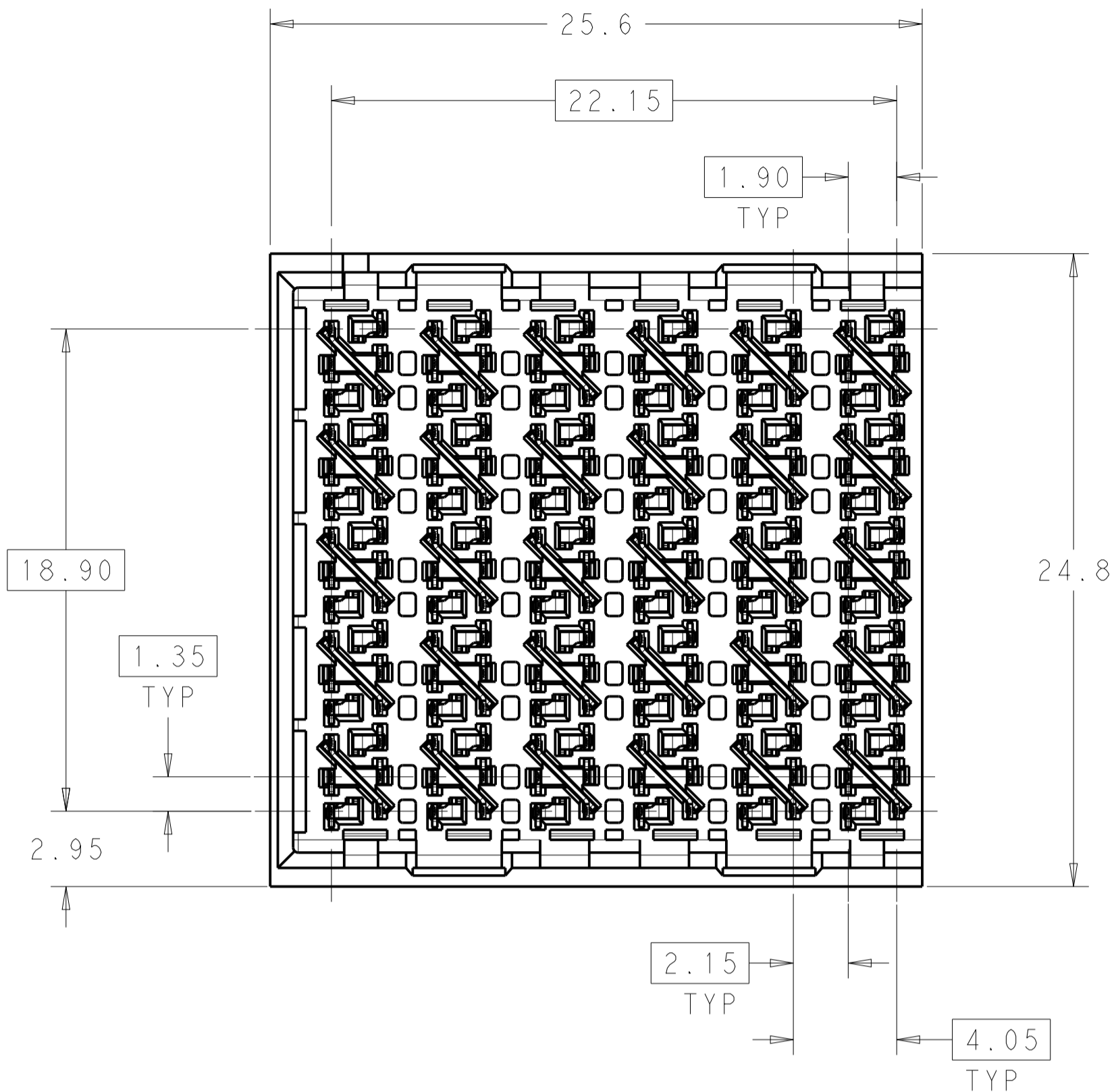
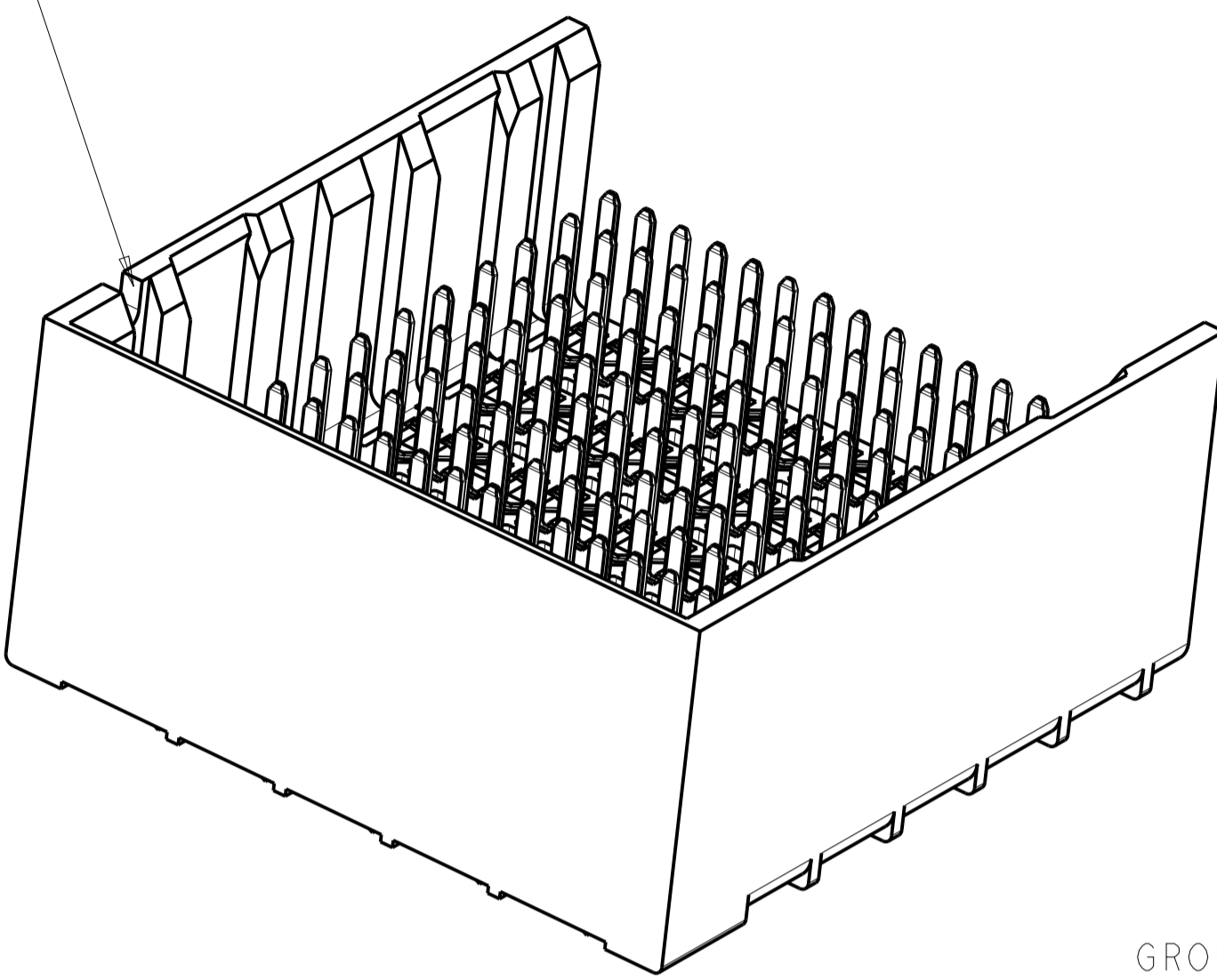


REVISIONS				
P.	LTN	DESCRIPTION	DATE	APV'D
B		REVISED PER ECO-14-013272	09SEP2014	AP DD

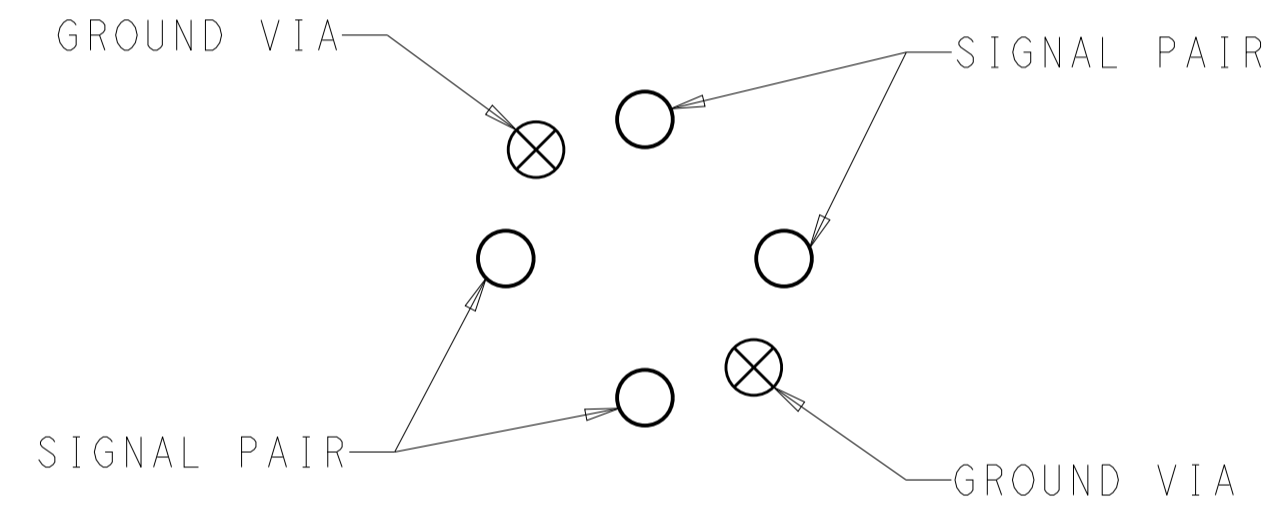


NOTCH DESIGNATES ROW A

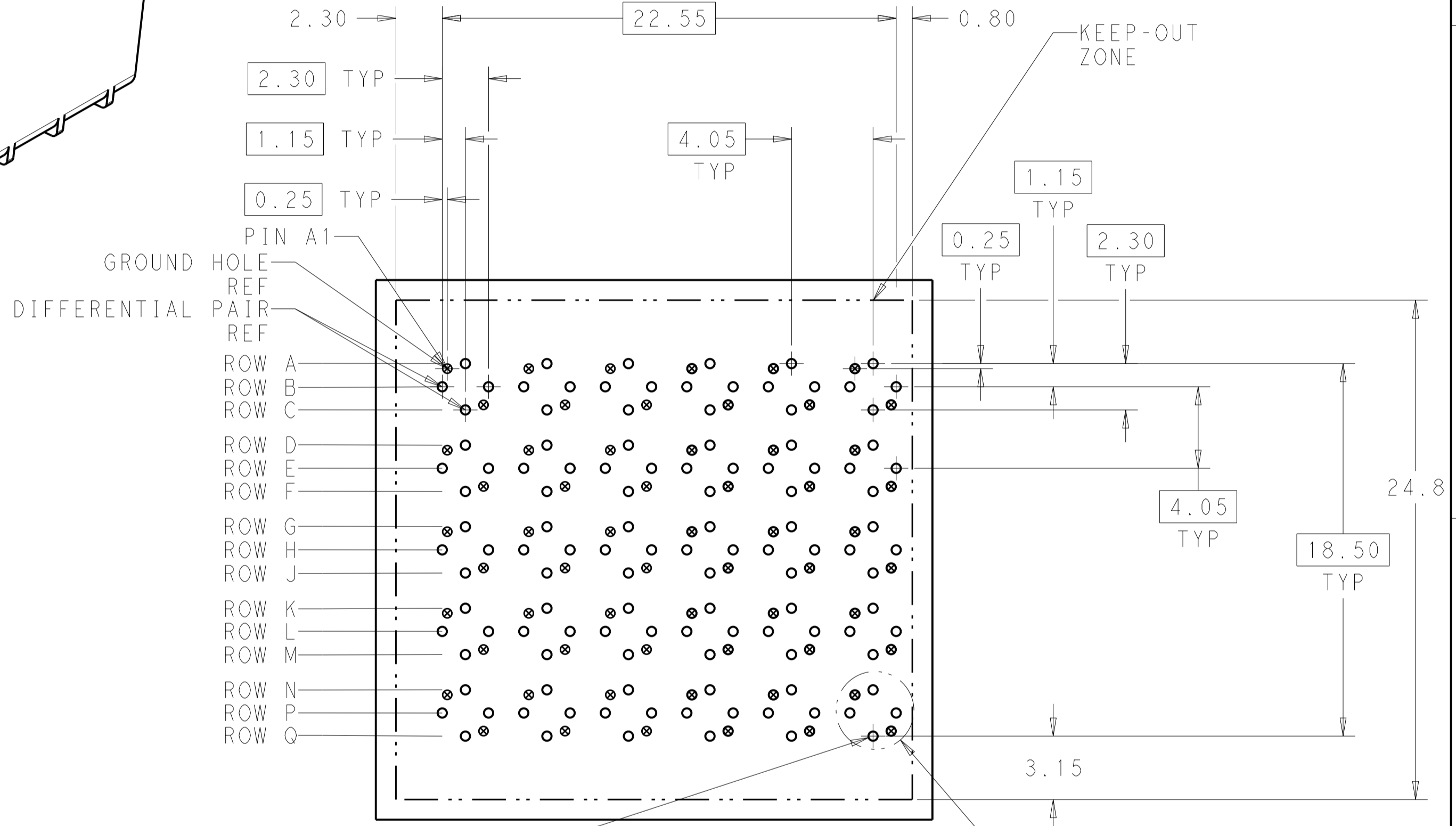


1 MATERIAL:  
HOUSING: LCP, GLASS FILLED, UL94V-0.  
TERMINALS: HIGH PERFORMANCE COPPER ALLOY.

2 FINISH:  
30μ" MIN GOLD IN CONTACT AREA. SELECTIVE TIN ON PCB TAILS, NICKEL OVERALL.



DETAIL X  
SCALE 16:1

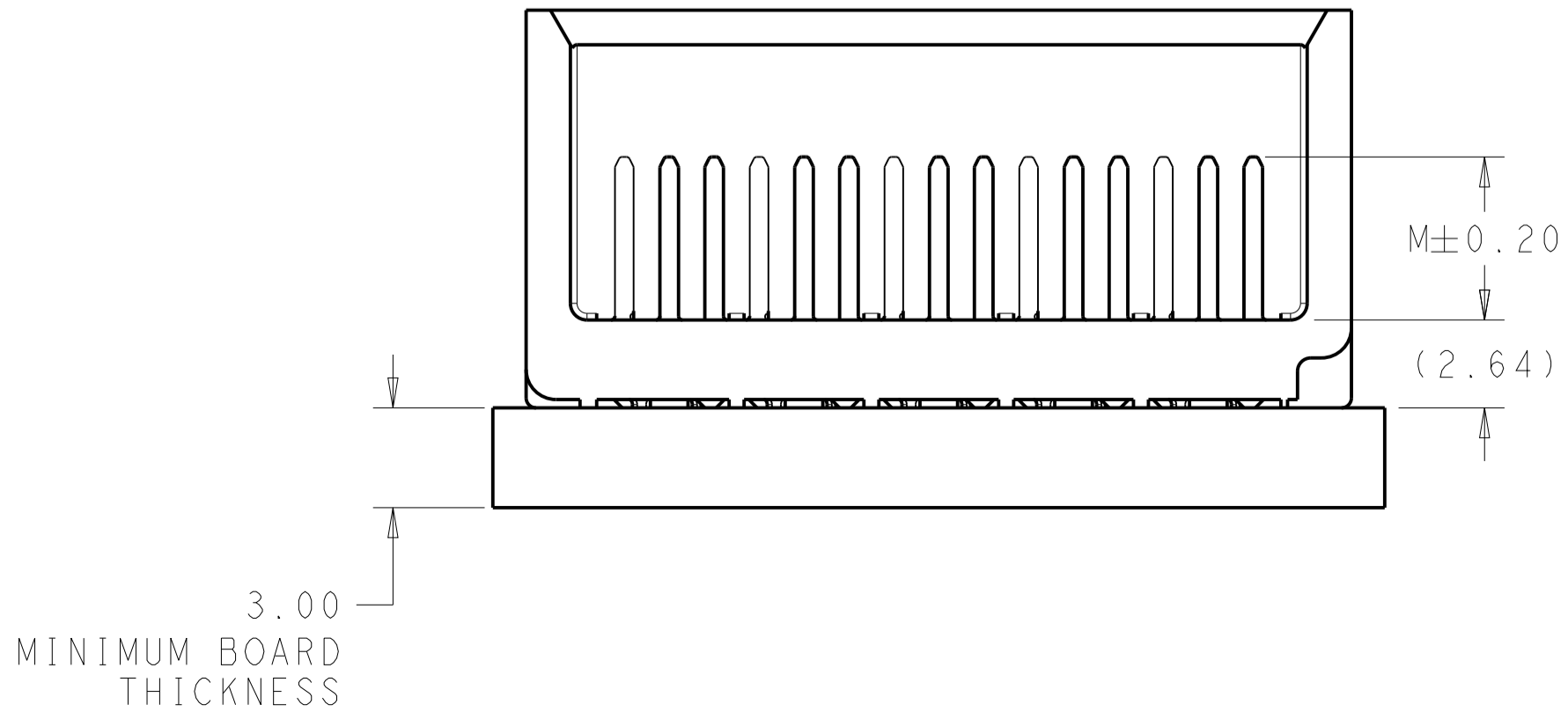
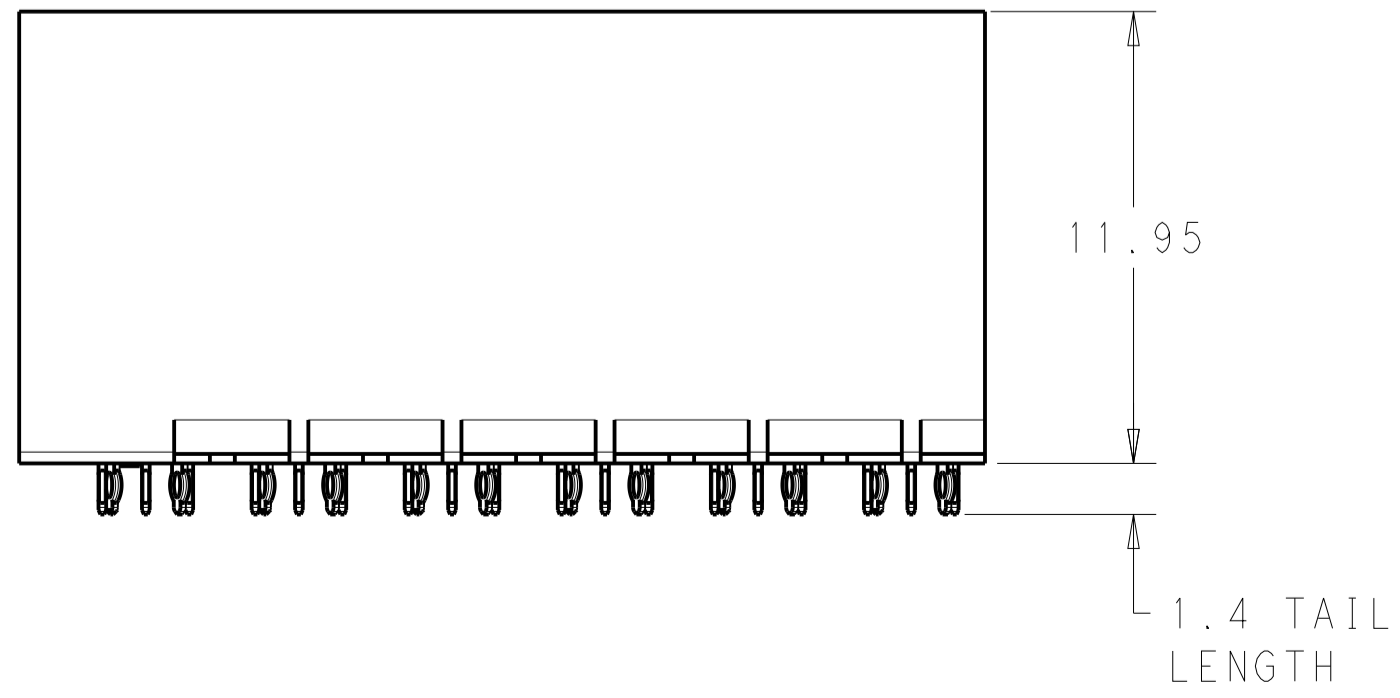


180X  $\varnothing 0.46 \pm 0.08$   
PLATED THRU HOLE

180X  $\varnothing 0.55 \pm 0.013$   
DRILL HOLE  
 $\varnothing 0.10$

UNGUIDED  
BACKPLANE HOLE PATTERN  
(CONNECTOR SIDE)

REFER TO WWW.TE.COM  
FOR PRODUCT AVAILABILITY



2	5.5	2143631-2
2	4.9	2143631-1
FINISH	DIM M	PART NUMBER

THIS DRAWING IS A CONTROLLED DOCUMENT.		OWN: KIRAN HOLAL 01DEC2012	NAME: IMPACT, ORTHOGONAL, 5 PAIR, 12 COLUMN HEADER, UNGUIDED, LEFT END WALL SIGNAL MODULE, 0.46 PTH
DIMENSIONS: mm		CHK: D. DIXON 01DEC2012	
TOLERANCES UNLESS OTHERWISE SPECIFIED:		APV'D: D. DIXON 01DEC2012	PRODUCT SPEC
0 PLC ±		APPLICATION SPEC	SIZE: CAGE CODE: DRAWING NO: RESTRICTED TO
1 PLC ±0.25		WEIGHT	A100779C=2143631
2 PLC ±0.13		CUSTOMER DRAWING	SCALE: 5:1 SHEET 1 OF 1 REV B
3 PLC ±			
4 PLC ±			
ANGLES			
FINISH: SEE TABLE			

单击下面可查看定价，库存，交付和生命周期等信息

[>>TE Connectivity\(泰科\)](#)