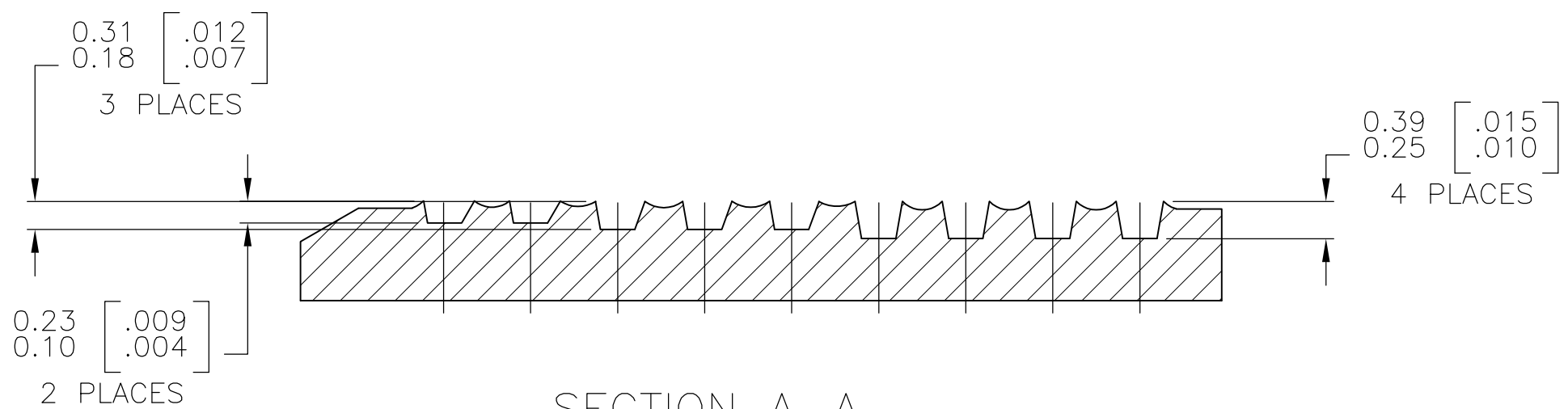
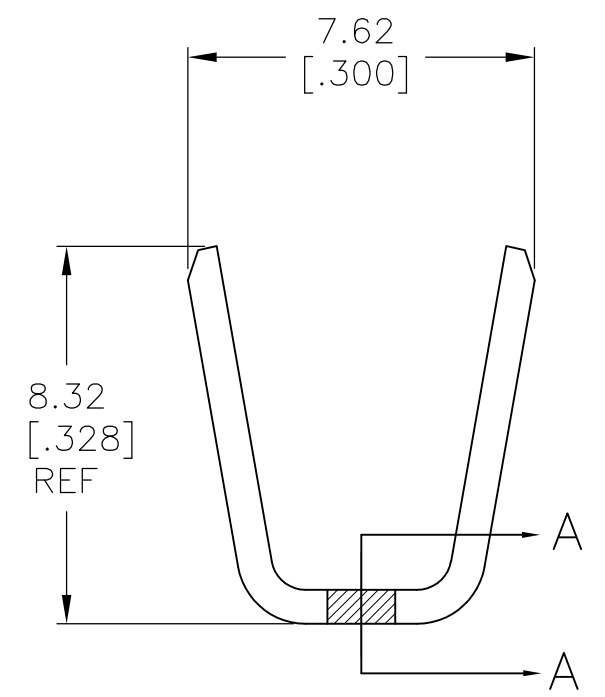
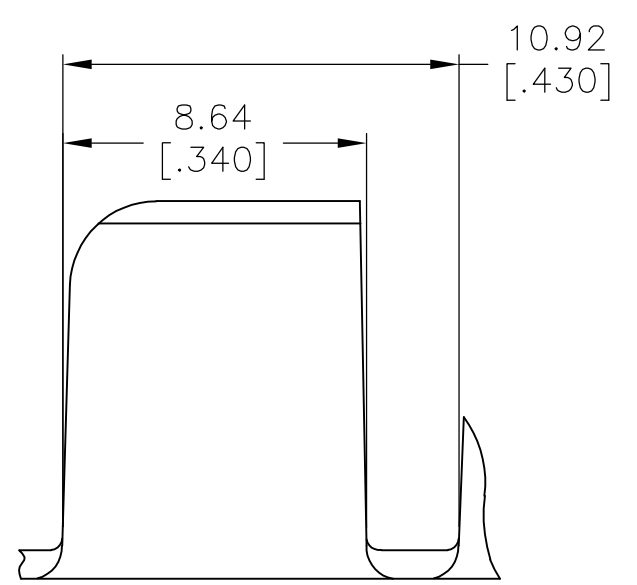
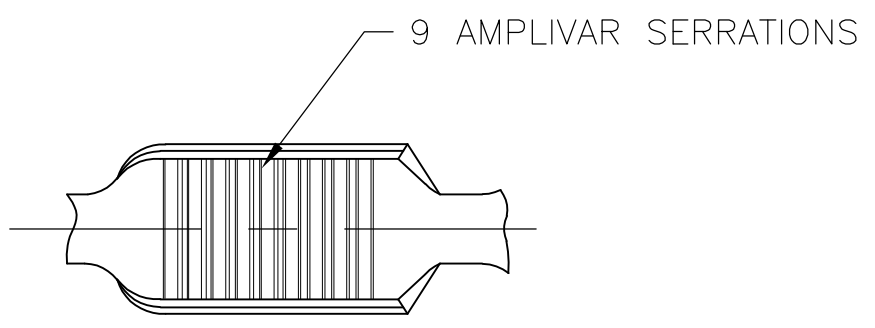


THIS DRAWING IS UNPUBLISHED. RELEASED FOR PUBLICATION
 © COPYRIGHT - By - ALL RIGHTS RESERVED.

LOC	DIST	REVISIONS					
		P	LTR	DESCRIPTION	DATE	DWN	APVD
AF	50		A4	REVISED PER ECR-13-017674	12DEC2013	GRZ	JL



- CONTINUOUS STRIP ON REELS.
- DIMENSIONS IN BRACKETS ARE IN INCHES.
- WIRE RANGE: 14000 - 22000 CMA.
- CRIMP WIDTH: .250 F TYPE, CURVED ANVIL
 CRIMP HEIGHT (±.003)=(TOTAL CMA+36,500)/421,000
 CRIMP WIDTH: .250 F TYPE, FLAT ANVIL
 CRIMP HEIGHT (±.003)=(TOTAL CMA+32,700)/421,000
 CRIMP WIDTH: .270 F TYPE, CURVED OR FLAT ANVIL
 CRIMP HEIGHT (±.003)=(TOTAL CMA+34,500)/470,600
 GENERAL APPLICATION GUIDELINES MUST BE FOLLOWED AS SPECIFIED IN CATALOG #82221
 FOR APPLICATOR INFORMATION CALL:1-800-722-1111
 FOR PRODUCT INFORMATION CALL:1-800-522-6752

1742898-1
PART NO

THIS DRAWING IS A CONTROLLED DOCUMENT.		DWN	JR RUTH	02MAY11	TE Connectivity SPLICE, AMPLIVAR					
DIMENSIONS: mm [INCHES]		CHK	KURT RANDOLPH	02MAY11						
TOLERANCES UNLESS OTHERWISE SPECIFIED:		APVD	KURT RANDOLPH	02MAY11						
0 PLC ± - 1 PLC ± - 2 PLC ± - 3 PLC ± 0.38 [.015] 4 PLC ± - ANGLES ± 1° 0'		NAME								
MATERIAL REF 0.76±0.05 [.030±.002] BRASS		FINISH		TIN PLATE	SIZE	CAGE CODE	DRAWING NO	RESTRICTED TO		
		WEIGHT		-	A3	00779	C-1742898	-		
CUSTOMER DRAWING					SCALE	6:1	SHEET	1 OF 1	REV	A4

单击下面可查看定价，库存，交付和生命周期等信息

[>>TE Connectivity\(泰科\)](#)