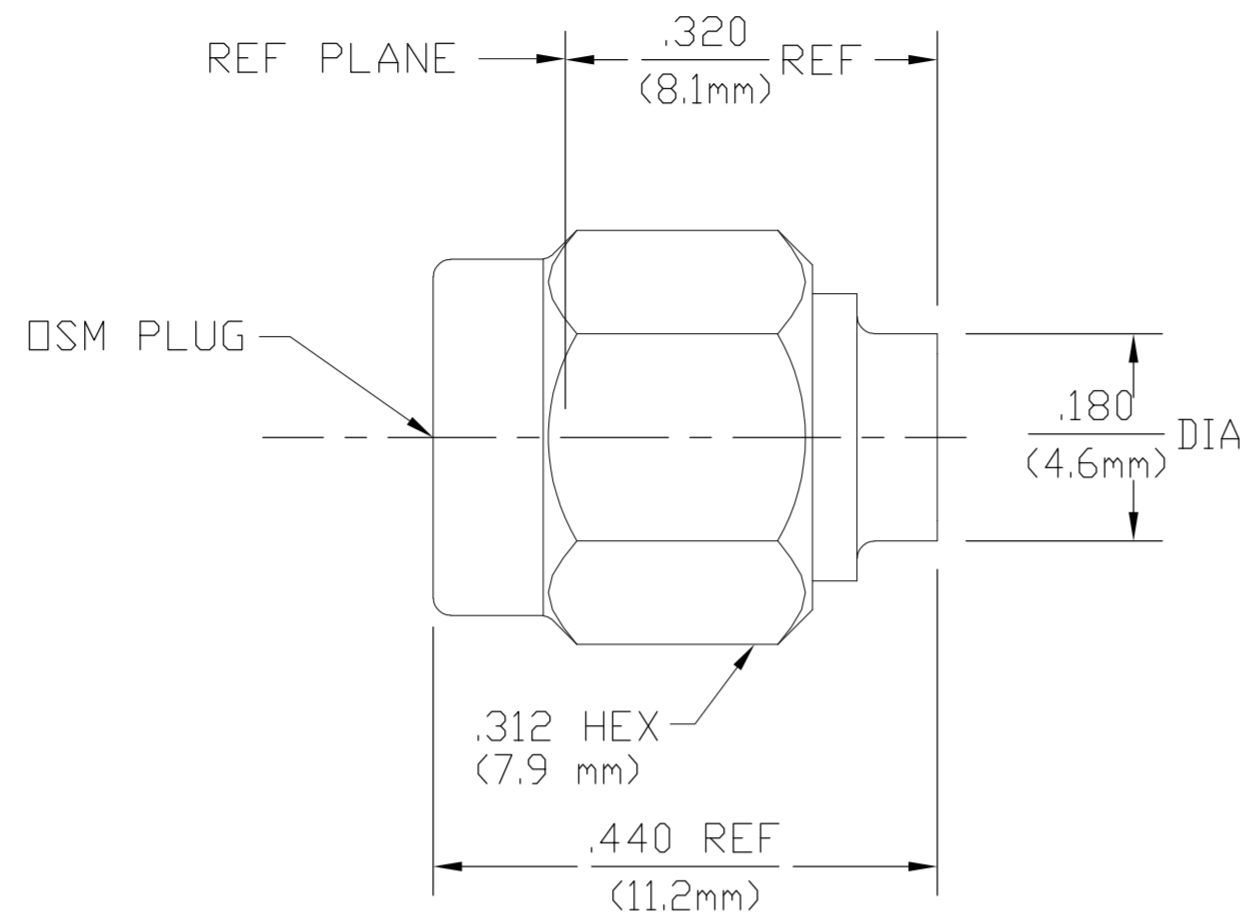


THIS DRAWING IS UNPUBLISHED. RELEASED FOR PUBLICATION
 © COPYRIGHT BY TYCO ELECTRONICS CORPORATION. ALL INTERNATIONAL RIGHTS RESERVED.

DESIGNED FOR USE WITH
 .141 DIA S.R. CABLE
 CABLE ENTRY DIAMETER
 MINIMUM
 CONTACT .039
 HOUSING .144

LOC	DIST	REVISIONS					
		P	LTR	DESCRIPTION	DATE	DWN	APVD
AJ	00	B		REV PER ECO 07-004710	03-14-07	DW	KW
		C		REVISED PER ECO-08-030676	02-24-09	AEG	JKO



- 1 BRASS
- 2 STAINLESS STEEL
- 3 BERYLLIUM COPPER
- 4 PTFE
- 5 GOLD PLATE
- 6 PASSIVATED
- 7 SILICONE RUBBER
- 8 NICKEL PLATE

ELECTRICAL	MECHANICAL	ENVIRONMENTAL
Nominal Impedance (Ohms) <u>50</u>	Interface Dimensions MIL-STD-348A, Fig. <u>310.1</u>	TEMPERATURE RATING <u>-65°C TO 125°C</u>
Frequency Range (GHz) DC <u>to 18.0</u>	Recommended Mating Torque <u>7 to 10 in-LBs</u>	Vibration MIL-STD-202, Method 204, Condition D
Volt Rating (VRMS MAX) @ Sea Level <u>500</u>	Mating Characteristics: Insertion (MAX Lbs) <u>N/A</u>	Shock MIL-STD-202, Method 213, Condition I
VSWR <u>1.05 + .008f(GHz)</u>	Withdrawal (MIN Oz) <u>N/A</u>	Thermal Shock MIL-STD-202, Method 107, Condition B, EXCEPT HIGH TEMP <u>115°C</u>
Insertion Loss (dB MAX) <u>.03 √f(GHz)</u>	Force to Engage and Disengage (In/Lbs MAX) <u>2.0</u>	Moisture Resistance MIL-STD-202, Method 106
RF Leakage (dB MIN) <u>-(90-f(GHz))</u>	Center Contact Captivation Axial (Lbs) <u>N/A</u>	Corrosion - MIL-STD-202, Method 101, Condition B, 5% salt spray
Dielectric Withstanding Voltage (VRMS MIN) @ Sea Level <u>1500</u>	Cable Retention Axial Force (Lbs) <u>60</u>	
Contact Resistance (Milliohms MAX) Center Contact <u>3.0</u>	Torque (In/Oz) <u>55</u>	
Outer Contact <u>2.0</u>	Weight (Grams) <u>T.B.D.</u>	
Cable to Housing <u>0.5</u>		
RF High Potential @ Sea Level (VRMS MIN @ 5 MHz) <u>1000</u>		
I.R.(Megohms MIN) <u>5,000</u>		

3	1 5	7	1 5	4	3 5	1050524-3
3	2 5	7	2 5	4	3 5	1050524-1
RETAINING RING	HOUSING	GASKET	COUPLING NUT	DIELECTRIC	CONTACT	TE PN

THIS DRAWING IS A CONTROLLED DOCUMENT.		DWN JPD 7/13/76	Tyco Electronics Corporation Harrisburg, PA 17105-3608			
DIMENSIONS: INCHES		CHK RNF 9/7/76	NAME OSM STARIGHT CABLE PLUG DIRECT SOLDER ATTACHMENT			
TOLERANCES UNLESS OTHERWISE SPECIFIED:		APVD RNF 9/13/76	SIZE A2	CAGE CODE 00779	DRAWING NO C=1050524	RESTRICTED TO
0 PLC ± -		PRODUCT SPEC	SCALE 6:1			SHEET 1 of 1
1 PLC ± -		APPLICATION SPEC	REV C			
2 PLC ± -		WEIGHT -	CUSTOMER DRAWING			
3 PLC ± .005						
4 PLC ± -						
ANGLES ± 1°						
FINISH -						

单击下面可查看定价，库存，交付和生命周期等信息

[>>TE Connectivity\(泰科\)](#)