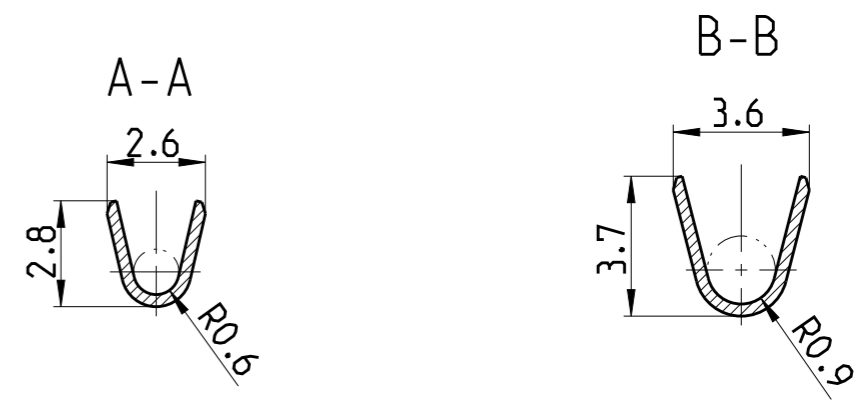
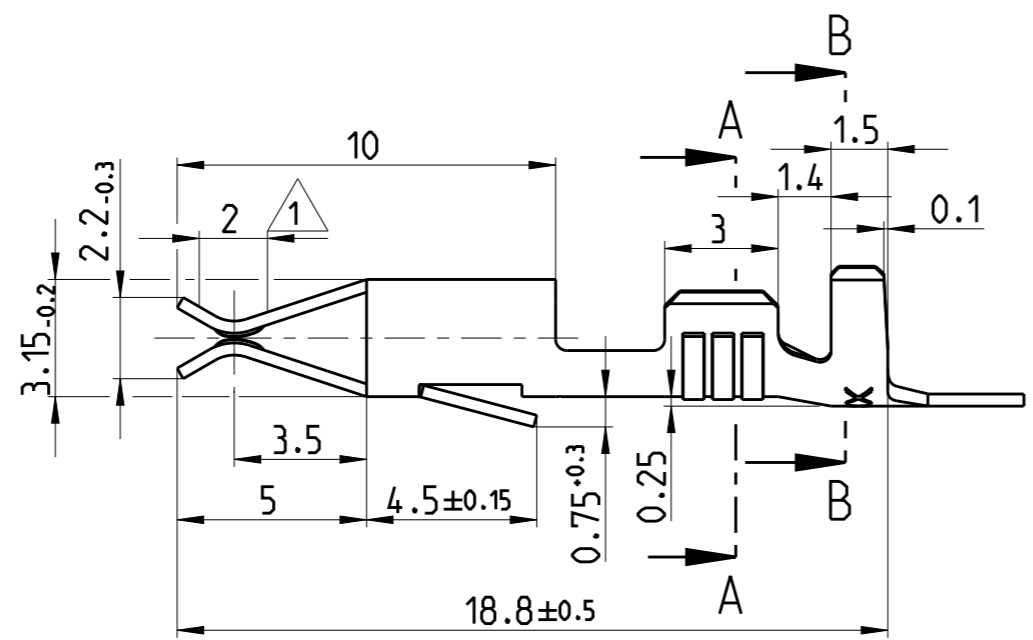
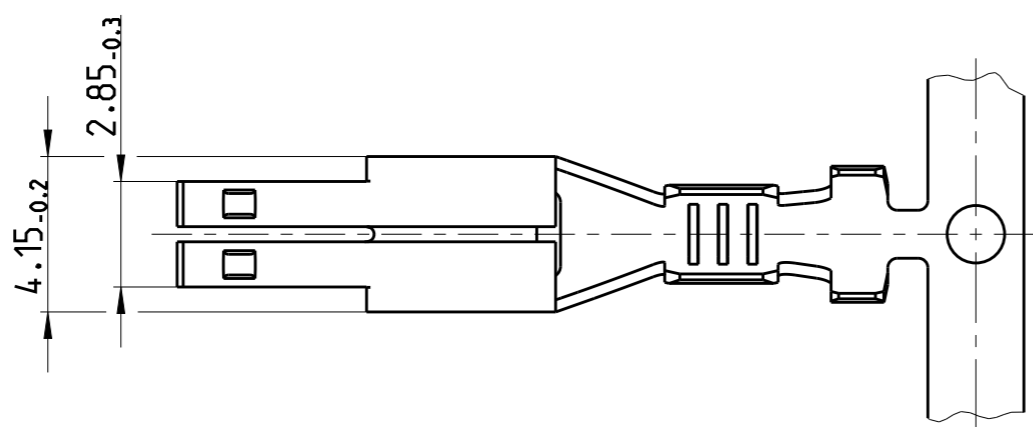


THIS DRAWING IS UNPUBLISHED. RELEASED FOR PUBLICATION 2013
 © COPYRIGHT 2013 Tyco Electronics AMP GmbH ALL RIGHTS RESERVED.

LOC	DIST	REVISIONS					
		P	LTR	DESCRIPTION	DATE	DWN	APVD
A1	-		F2	REVISED BY ECO-11-005294	06APR2011	HMR	-
			F3	New CAD drawing created.	20JUN2013	Kirs.	Eder
			F4	ECR-15-012070	13AUG2015	JB JH	BK



- △1 IN CRIMP AREA TIN PLATED
Im Crimpbereich verzinkt
- △2 CONTACT BODY: PRE SILVER min. 0.8 µm
CONTACT AREA: PRE SILVER min. 3 µm
Kontaktkoerper: vorversilbert min. 0.8 µm
Kontaktzone: vorversilvert min. 3 µm



CONDUCTOR CROSS-SECTION IN mm ² Leitungsquerschnitt in mm ²		SINGLE CONNECTION Einzelanschlag					
		0.35	0.50	0.75	1.00	1.50	2.00
0.35		X	X				
0.50	X	X	X				
0.75	X						
1.00	X						
1.50							
2.00							

WIRE SIZE RANGE: 0.5-1.0mm²
 Drahtgroessenbereich: 0.5-1.0mm²
 CRIMPING CONDUCTOR: FLKY WIRE
 CONDUCTOR: F-CRIMP
 INSULATION: OVERLAPPING CRIMP
 angeschlagener Leiter: FLKY Leitung
 Leiter: F-Crimp
 Isolation: Ueberlappungscrimp

THIS DRAWING IS A CONTROLLED DOCUMENT.	
DIMENSIONS: mm	TOLERANCES UNLESS OTHERWISE SPECIFIED: ±0.2
MATERIAL	FINISH

DWN	Herth	17 JUL 1984
CHK	Herth	17 JUL 1984
APVD	C. Goepfel	20 JUN 2013
PRODUCT SPEC	-	-
APPLICATION SPEC	-	-
WEIGHT	-	-
Customer Drawing		

△2	CuSn4 H04	927845-5	E
PRE SILVER	CuZn30	927845-4	E
SELECTIVE GOLD △1	CuSn4 H04	927845-3	E
PRE TIN	CuSn4 H04	927845-2	E
PRE TIN	CuZn30	927845-1	E
FINISH	MATERIAL	STRIP PART	REV

STE TE Connectivity

NAME: JUNIOR-TIMER CONTACT
Junior-Timer Kontakt

SIZE	CAGE CODE	DRAWING NO	RESTRICTED TO
A3	00779	C-927845	-

SCALE: 5:1 SHEET: 1 OF 1 REV: F4

单击下面可查看定价，库存，交付和生命周期等信息

[>>TE Connectivity\(泰科\)](#)