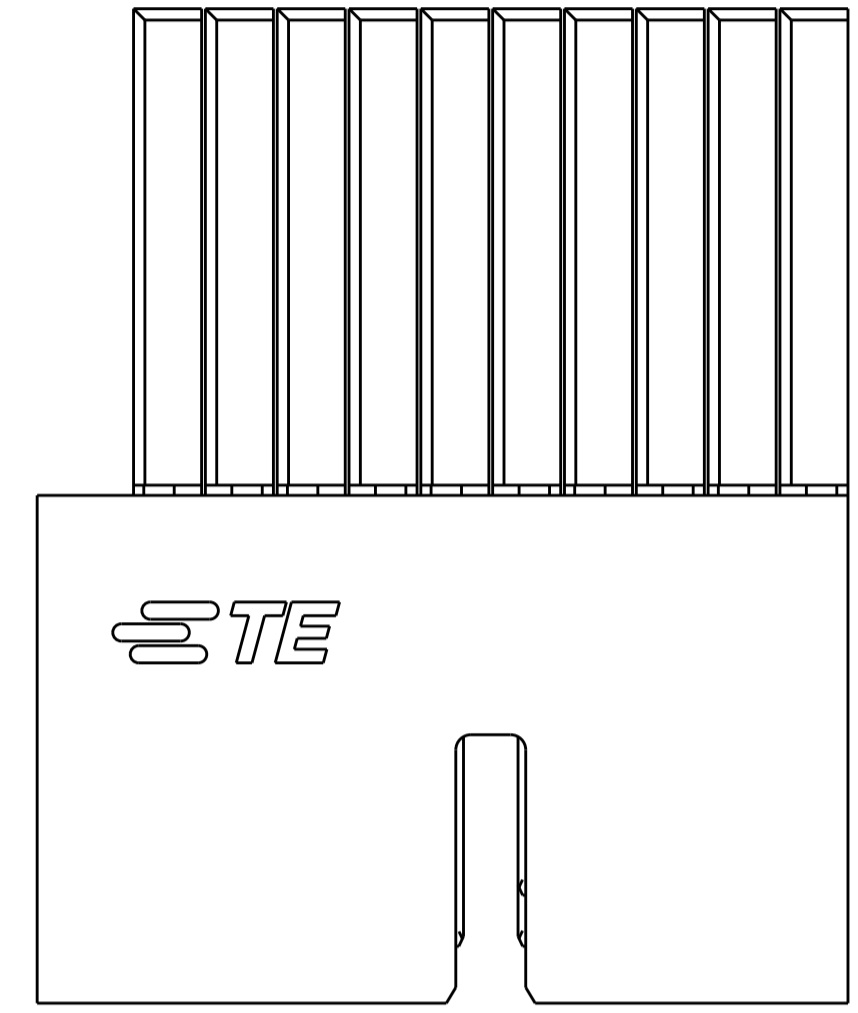
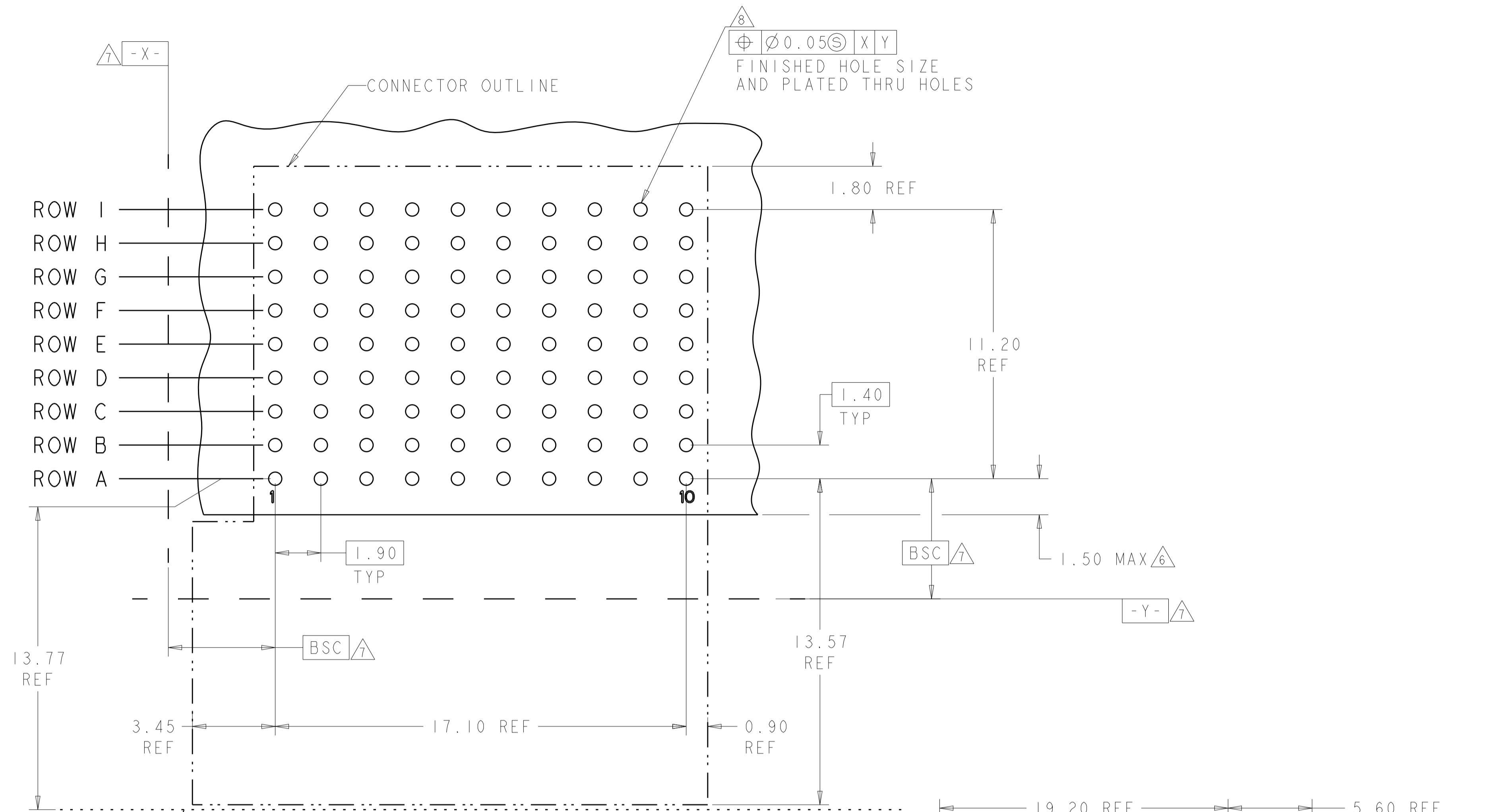
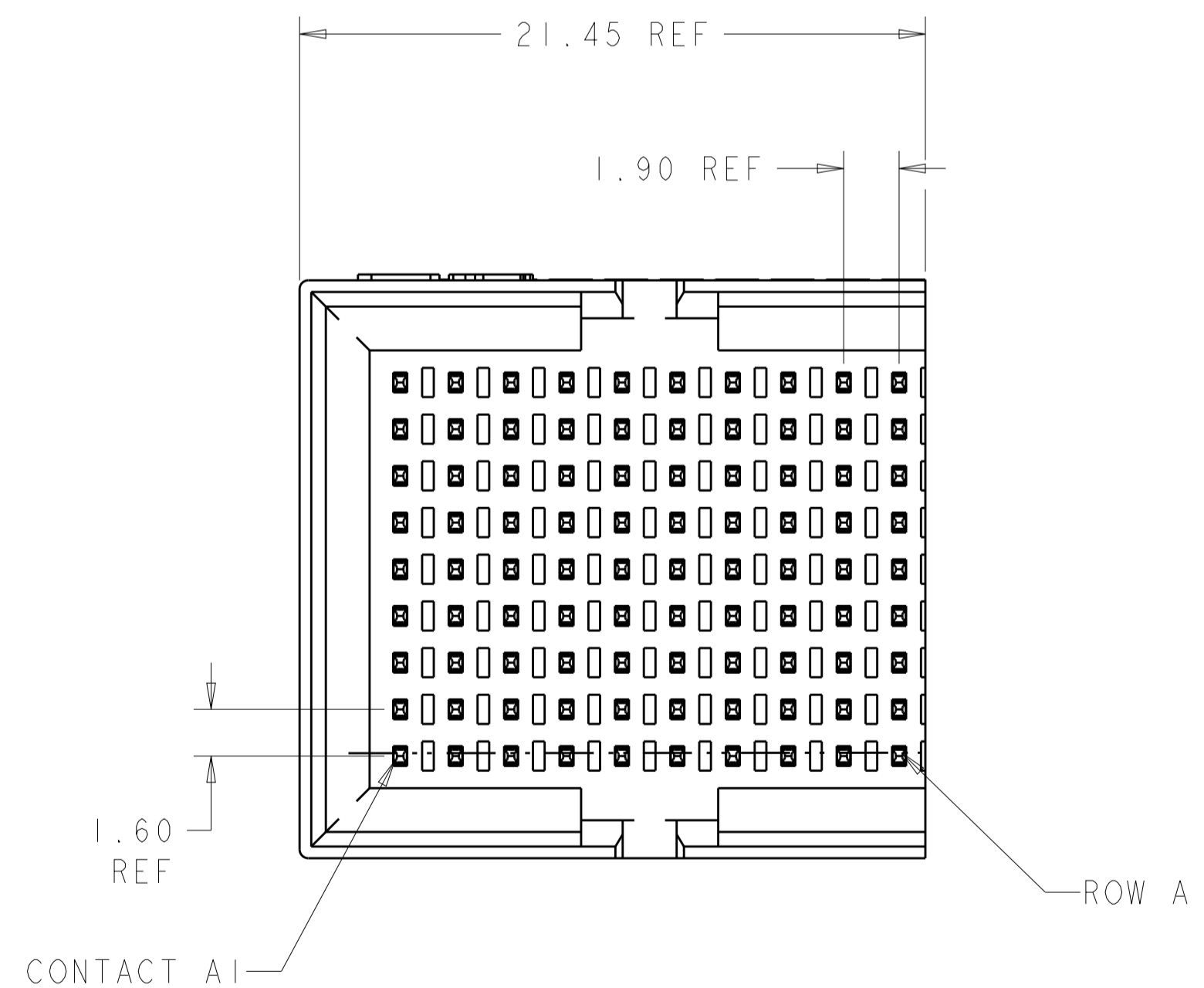
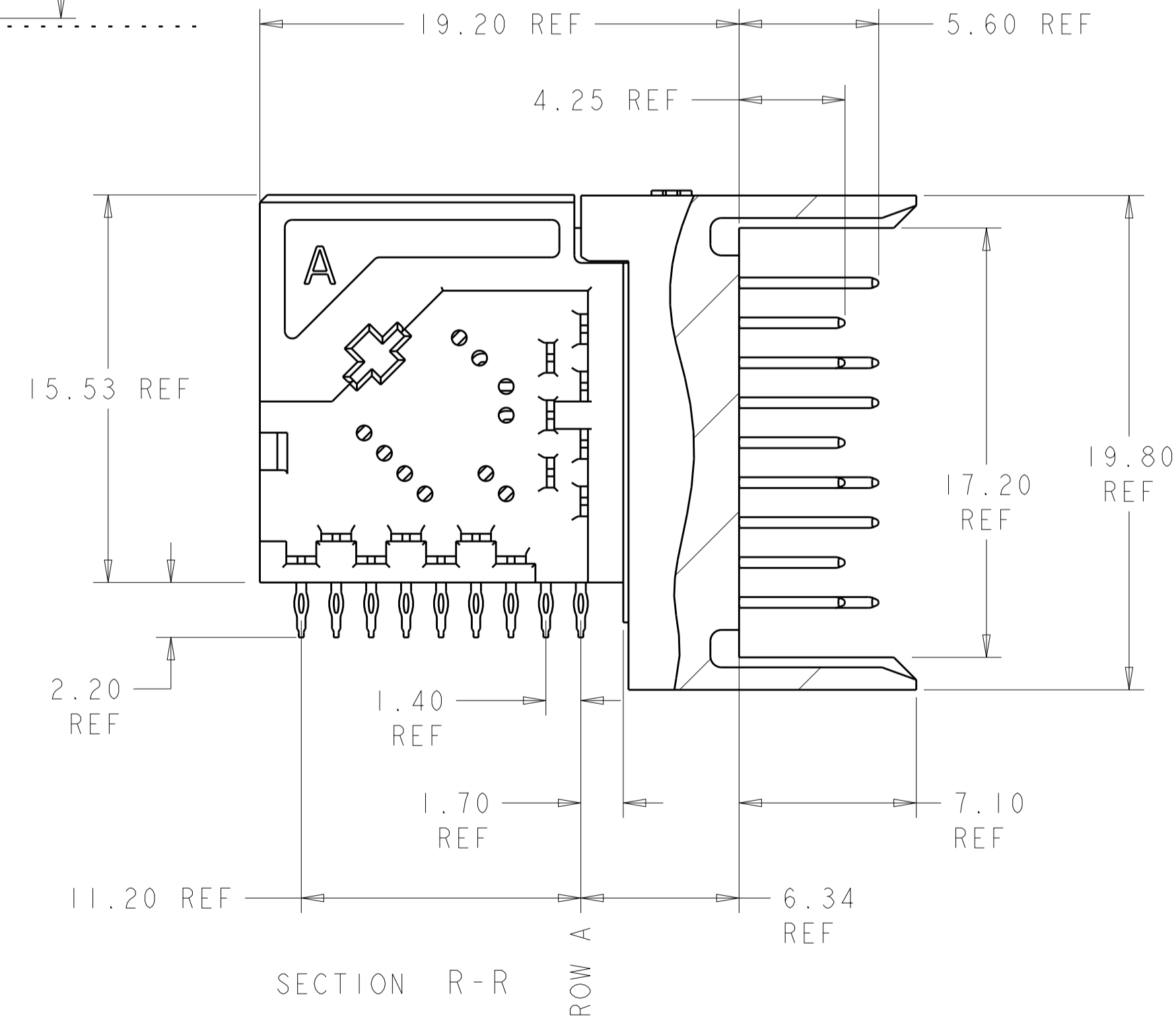


LOC		DIST		REVISIONS			
P	LTN	DESCRIPTION	DATE	DWN	APVD		
B		REV PER ECO 12-010940	7-31-12	CT	DH		
C		REVISED PER ECO-14-017030	24NOV14	MGM	CT		



RECOMMENDED PC BOARD LAYOUT COMPONENT SIDE SHOWN SCALE 8:1



- 1 MATERIAL:
CONTACT AND SHIELD: COPPER ALLOY
HOUSING AND CHICKLET: LCP, COLOR: BLACK
- 2 FINISH:
CONTACT: MATING AREA: 1.27µm MIN GOLD OVER
1.27µm MIN NICKEL
- 3 FINISH:
COMPLIANT PIN AREA: 0.38µm MIN BRIGHT TIN LEAD OVER
1.27µm MIN NICKEL
- 4 FINISH:
COMPLIANT PIN AREA: 0.38µm MIN MATTE TIN OVER
1.27µm MIN NICKEL
- 5 --
- 6 DIMENSION APPLIES TO CENTERLINE OF THRU HOLE.
- 7 DATUMS AND BASIC DIMENSIONS ESTABLISHED BY CUSTOMER.
- 8 REFERENCE APPLICATION SPEC 114-13267 FOR RECOMMENDED PLATED THRU HOLE DIAMETER AND PLATING THICKNESS.

2 4	2102314-2
2 3	2102314-1
FINISH	PART NUMBER

THIS DRAWING IS A CONTROLLED DOCUMENT.

DWN: D. BELACK 16AUG2010
CHK: A. TSANG 8-16-10
APVD: M. McALONIS 8-16-10

NAME: Fortis Zd, 3-PAIR, 10-COLUMN, R/A, LEFT MODULE ASSEMBLY, SINGLE ENDED

PRODUCT SPEC: 108-2409
APPLICATION SPEC: 114-13267

SIZE: CAGE CODE DRAWING NO: A100779
WEIGHT: ~11.75g
SCALE: 5:1 SHEET 1 OF 1 REV C

STE TE Connectivity

单击下面可查看定价，库存，交付和生命周期等信息

[>>TE Connectivity\(泰科\)](#)