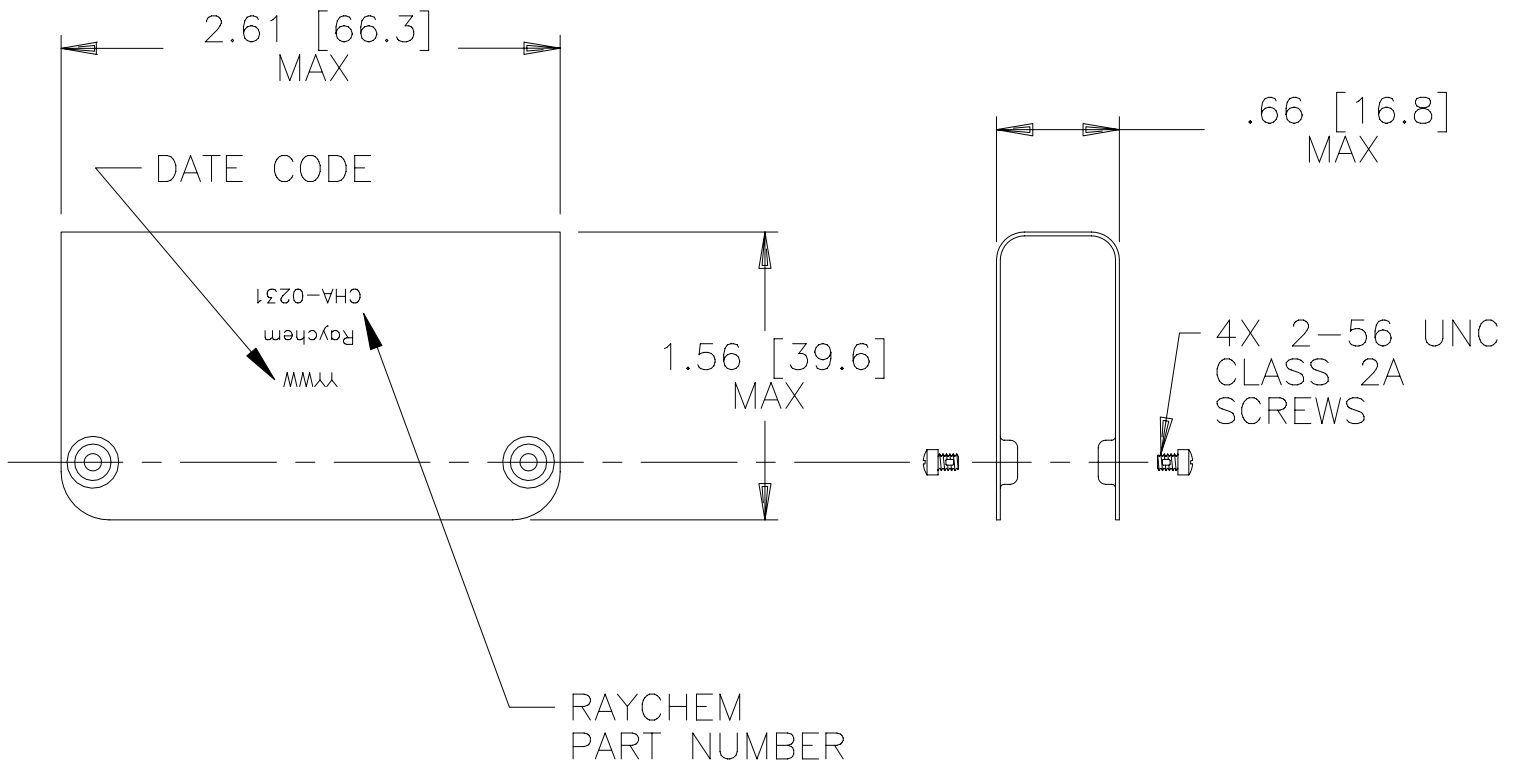


REVISIONS			
LTR	DESCRIPTION	DATE	APPROVED
A	REVISED PER ECN T-19774	1-9-95	R.H.
B	REVISED PER DCR# T-22580	1/25/99	M.HIGGY

NOTES:

MATERIAL: BACKSHELL: ALUMINUM ALLOY PER QQ-A-225
 SCREWS: STAINLESS STEEL PER QQ-S-763

FINISH: BACKSHELL: CADMIUM PLATED PER QQ-P-416
 OVER NICKEL UNDERPLATE
 SCREWS: CADMIUM PLATED PER QQ-P-416



SPECIFICATION CONTROL DRAWING

If this document is printed it becomes uncontrolled.
 Check with the web for latest revision.

UNLESS OTHERWISE SPECIFIED DIMENSIONS ARE IN INCHES. METRIC DIMENSIONS ARE IN BRACKETS.	DRAWN	HAWKINGS	89 APR 03	<i>Raychem</i>		RAYCHEM CORPORATION 300 CONSTITUTION DRIVE MENLO PARK, CALIFORNIA 94025		
	CHECKED							
	APPROVED	J.BLAIR	89 APR 24	TITLE BACKSHELL, PROTECTIVE, 2" FOR RIGHT ANGLE BREAKOUT OF FCC, MTC SERIES				
	APPROVED	J.CRAMRON	89 APR 25					
DEC .XXX ±	CAD NAME		T22580.DWG	SIZE	CODE IDENT. NO.	DWG. NO.	REV	
DEC .XX ± N/A	THIRD ANGLE PROJECTION			A	06090	CHA-0231	B	
ANGLES ±	WEIGHT: MAXIMUM		10.80 grams	DO NOT SCALE THIS DRAWING			SHEET 1 OF 1	

单击下面可查看定价，库存，交付和生命周期等信息

[>>TE Connectivity\(泰科\)](#)