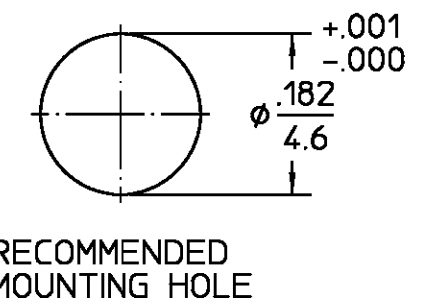
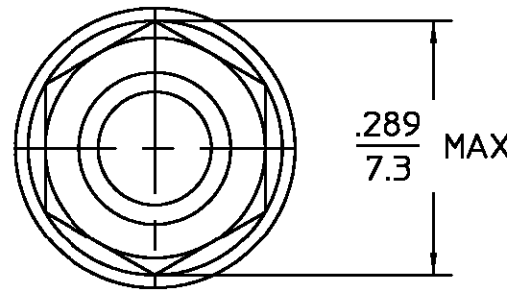


DESIGNED FOR USE WITH	.085 S/R
CABLE ENTRY DIAMETER MINIMUM	
CONTACT	.0225
HOUSING	.089

REVISIONS			
REV	DESCRIPTION	DATE	APPROVED
B1	REVISED PER ECO-11-005030	30MAR11	HMR



ELECTRICAL
Nominal Impedance (Ohms) 50 ±1
Frequency Range (GHz) DC to 28
Volt Rating (VRMS MAX) @ Sea Level 335
VSWR 1.05±.01 f(GHz)
Insertion Loss (dB MAX) .04x√f(GHz)
RF Leakage (dB MIN) (Interface Only, Fully Mated) -(90-f(GHz))
Corona, 70,000 Ft (VRMS MIN) 250
Dielectric Withstanding Voltage (VRMS MIN) @ Sea Level 675
Contact Resistance (Milliohms MAX)
Center Contact 6.0
Outer Contact 3.0
Cable to Housing 0.5
RF High Potential @ Sea Level (VRMS MIN @ 5 MHz) 670
LR.(Megohms MIN) 5000

MECHANICAL
Interface Dimensions SEE CATALOG
Mating Characteristics:
Insertion (MAX Lbs) 3
Withdrawal (MIN Oz) 0.5
Force to Engage (In-Lbs MAX) 3 & Disengage (In-Lbs MAX) 15
Center Contact Captivation Axial (Lbs) 4
Cable Retention Axial Force (Lbs MIN) 30 Torque (In-Oz MIN) 16
Weight (Grams) TBD

ENVIRONMENTAL
Temperature Rating -65° to +125°C
Vibration MIL-STD-202, Method 204, Condition D
Shock MIL-STD-202, Method 213, Condition I
Thermal Shock MIL-STD-202, Method 107, Condition B
Moisture Resistance MIL-STD-202, Method 106
Corrosion - MIL-STD-202, Method 101, Condition B
.XXX = in XX.X = mm (REF)

HOUSING	STAINLESS STEEL PER ASTM-A484 AND ASTM-A582, TYPE 303
MOUNTING NUT	PTFE FLUOROCARBON PER ASTM-D-1457
LOCKWASHER	BERYLLIUM COPPER PER ASTM-B-196 OR ASTM-B-197, ALLOY C17300, CONDITION H
DIELECTRIC	FLUOROSILICONE 60 (DUROMETER) PER MIL-R-25988, CLASS 1, TYPE 1
CENTER CONTACT	
O-RING	
COMPONENT	MATERIAL

	GOLD PLATE PER MIL-G-45204
	N/A
	GOLD PLATE PER MIL-G-45204
	N/A
FINISH	

UNLESS OTHERWISE SPECIFIED DIMENSIONS ARE IN INCHES
 FRAC. ± 1/64 DEC. ±.005 ANGLES ± 1°

DRAWN BY	D. CAM	DATE	1-3-85
CHECKED BY	PCV		1-3-85
APP'D BY	PCV		2-2-85



USE ASS'Y PROCEDURE
 NO. AP. 47-003

TITLE OSSP BULKHEAD FEEDTHRU CABLE PLUG-DIRECT SOLDER ATTACHMENT			
SIZE B	CODE IDENT NO. 26805	1059857-1	REV B1

CUSTOMER DRAWING	SCALE 5:1	SHEET 1 OF 1
------------------	-----------	--------------

单击下面可查看定价，库存，交付和生命周期等信息

[>>TE Connectivity\(泰科\)](#)