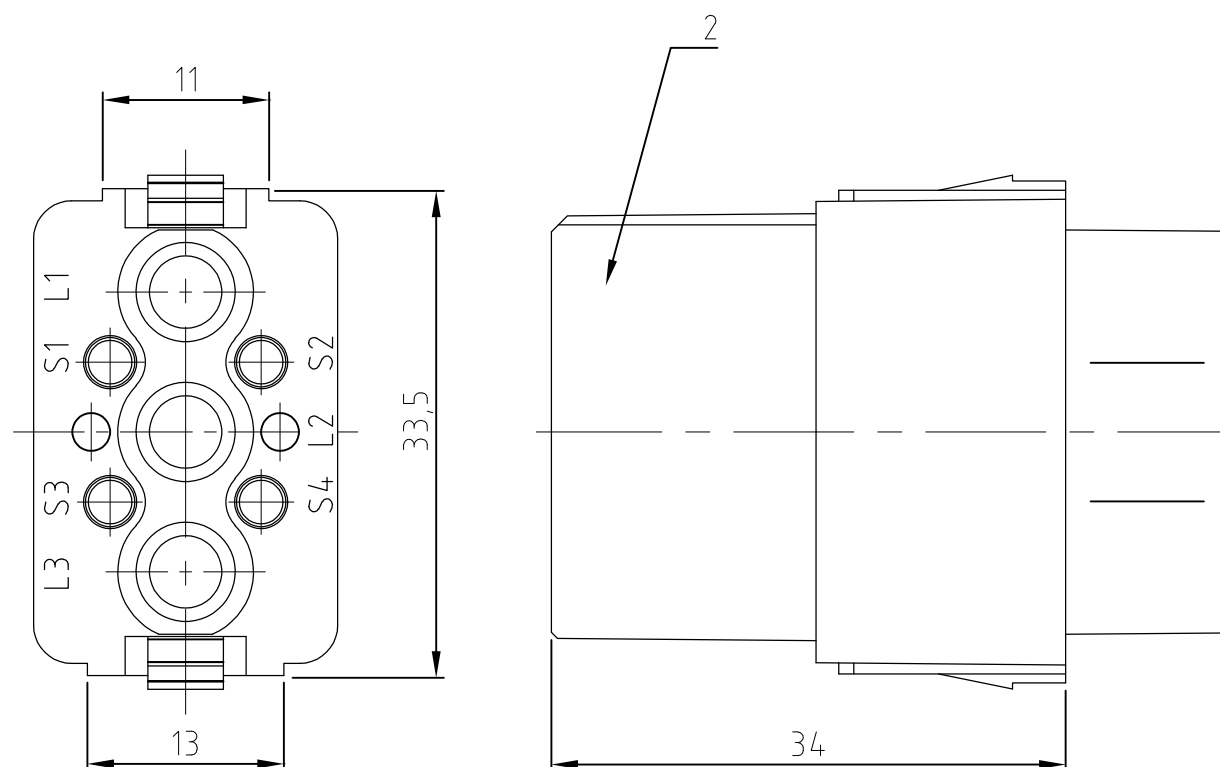
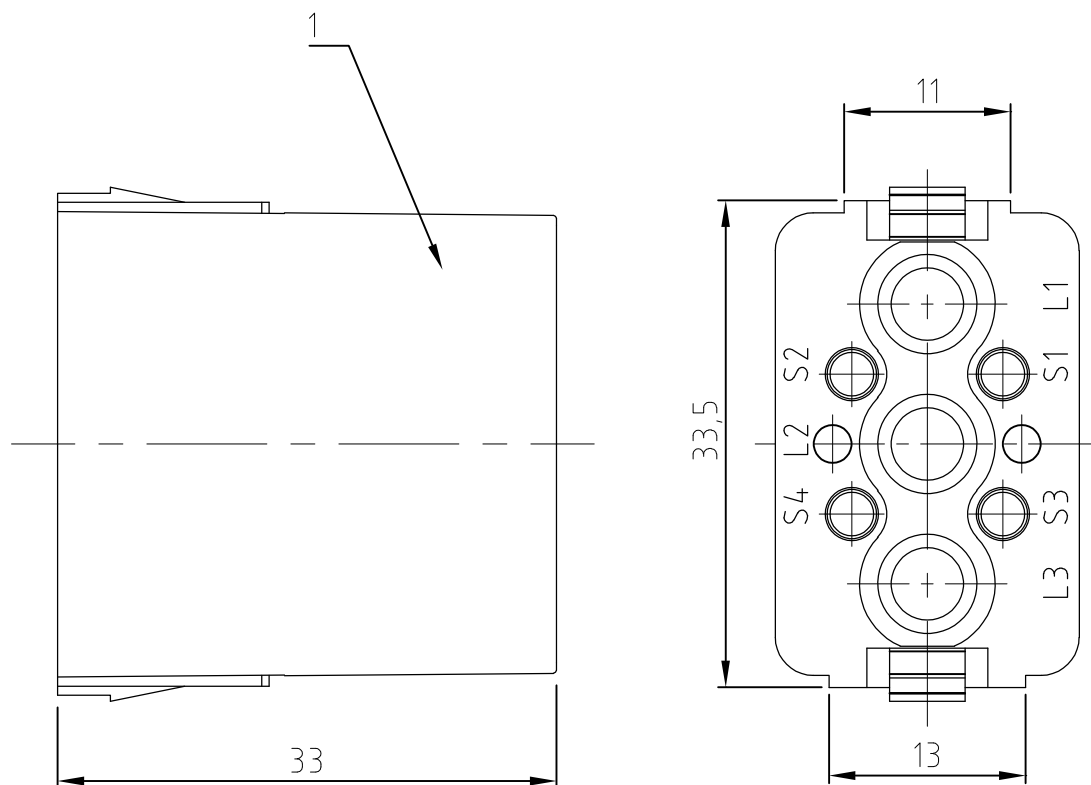


THIS DRAWING IS UNPUBLISHED. RELEASED FOR PUBLICATION
 © COPYRIGHT - BY TYCO ELECTRONICS CORPORATION. ALL INTERNATIONAL RIGHTS RESERVED.

LOC	DIST	REVISIONS				
P	LTR	DESCRIPTION	DATE	DWN	APVD	
A1	-	B1	Packaging box changed; ECR-07-027099	13.11.2007	ST	AR
		B2	REVISED PER ECO-11-002591	11FEB11	HMR	MM

MDL2 Pin

MDL2 Socket



1	-	Moduleinsatz Buchse/modul insert socket	PA66	natur	2	-	
-	1	Moduleinsatz Stift/module insert pin	PA66	natur	1	-	
0-2	0-1	DESCRIPTION / BENENNUNG	MATERIAL	COLOR /FARBE	ITEM NO. POS.	REMARKS / BEMERKUNG	
MDL2.3+4.Bu.C MDL2.3+4.Sti.C	ORDERING TEXT / BESTELLTEXT	THIS DRAWING IS A CONTROLLED DOCUMENT.		DWN	25.09.2003		
		DIMENSIONS: mm		CHK	25.09.2003		
		TOLERANCES UNLESS OTHERWISE SPECIFIED: GENERAL TOLERANCES		Tyco Electronics Corporation Harrisburg, Pa 17105-3608			
		MATERIAL		Module insert MDL2.3+4.Sti/Bu.C Moduleinsatz MDL2.3+4.Sti/Bu.C			
		FINISH		PRODUCT SPEC	NAME		
				APPLICATION SPEC	SIZE		
				WEIGHT	CAGE CODE		
				DRAWING NO		RESTRICTED TO	
				G=1103018			
				SCALE		SHEET	
				2:1		1 OF 1	
				REV		B2	

单击下面可查看定价，库存，交付和生命周期等信息

[>>TE Connectivity\(泰科\)](#)