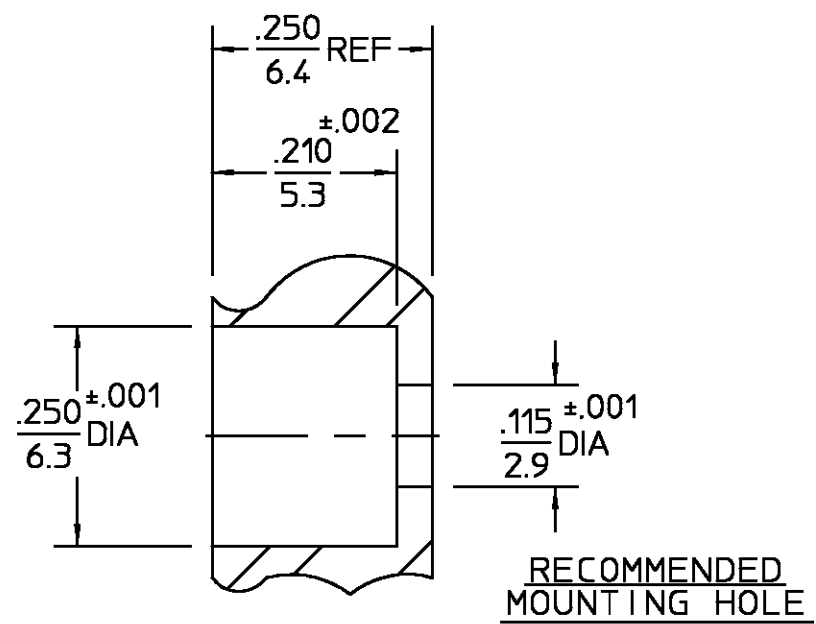
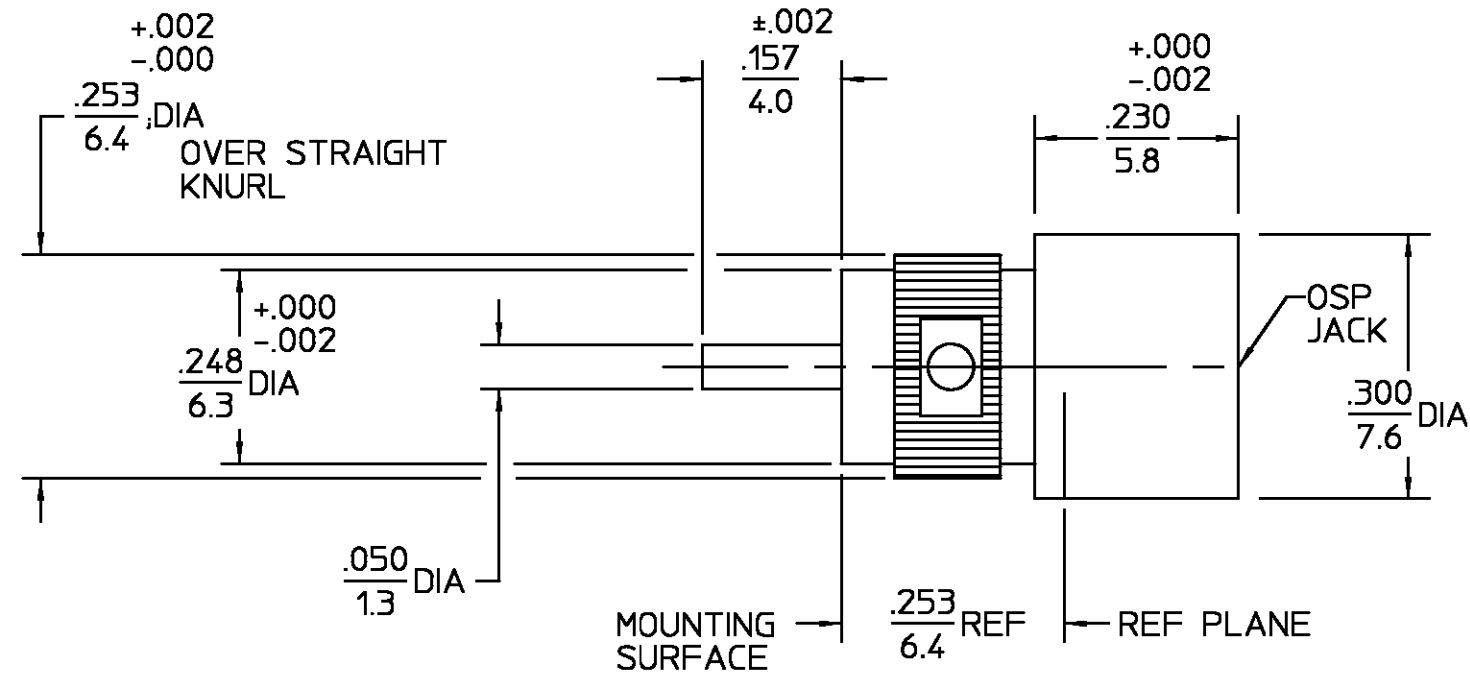


REVISIONS			
REV	DESCRIPTION	DATE	APPROVED
01 ₀	RELEASED	6/1/95	<i>M.A.</i>



ELECTRICAL	
Nominal Impedance (Ohms)	50
Frequency Range (GHz)	DC to 18
Volt Rating (VRMS MAX)	
@ Sea Level	500
VSWR	1.05+0.005f(GHz)
Insertion Loss (dB MAX)	.03x√f(GHz)
RF Leakage (dB MIN) (Interface Only, Fully Mated)	-(90-f(GHz))
Corona, 70,000 Ft (VRMS MIN)	335
Dielectric Withstanding Voltage (VRMS MIN) @ Sea Level	1000
Contact Resistance (Milliohms MAX)	
Center Contact	2.0
Outer Contact	2.0
Cable to Housing	N/A
RF High Potential @ Sea Level (VRMS MIN @ 5 MHz)	1000
LR (Megohms MIN)	5000

MECHANICAL	
Interface Dimensions	PER M/A-COM CATALOG
Mating Characteristics:	
Insertion (MAX Lbs)	3
Withdrawal (MIN Oz)	1
Force to Engage (In-Lbs MAX) & Disengage (In-Lbs MAX)	3 & 15
Center Contact Captivation	
Axial (Lbs)	6
Cable Retention	
Axial Force (Lbs MIN)	N/A
Torque (In-Oz MIN)	N/A
Weight (Grams)	TBD

ENVIRONMENTAL	
Temperature Rating	-65° to +125°C
Vibration	MIL-STD-202, Method 204, Condition D
Shock	MIL-STD-202, Method 213, Condition I
Thermal Shock	MIL-STD-202, Method 107, Condition B
Moisture Resistance	MIL-STD-202, Method 106
Corrosion	MIL-STD-202, Method 101, Condition B

HOUSING	
DIELECTRIC	STAINLESS STEEL PER ASTM-A484 AND ASTM-A582, TYPE 303
CENTER CONTACT CONTACT SLEEVE	TFE FLUOROCARBON PER ASTM-D-1457
CONTACT RING	BERYLLIUM COPPER PER ASTM B 196, ALLOY C17300, CONDITION H
	BERYLLIUM COPPER PER ASTM B 194, ALLOY C17200, CONDITION H
COMPONENT	
UNLESS OTHERWISE SPECIFIED DIMENSIONS ARE IN INCHES TOLERANCE ON	
FRAC.	DEC. ANGLES
± 1/64	±.005 ± °
These drawings and specifications are the property of Omni Spectra Incorporated and shall not be reproduced or copied or used in whole or in part as the basis for the manufacture or sale of item(s) without written permission.	

MATERIAL	
STAINLESS STEEL PER ASTM-A484 AND ASTM-A582, TYPE 303	PASSIVATE PER ASTM-A380
TFE FLUOROCARBON PER ASTM-D-1457	N/A
BERYLLIUM COPPER PER ASTM B 196, ALLOY C17300, CONDITION H	GOLD PLATE PER MIL-G-45204
BERYLLIUM COPPER PER ASTM B 194, ALLOY C17200, CONDITION H	GOLD PLATE PER MIL-G-45204
FINISH	

DRAWN BY <i>JANUAR</i> DATE 6/1/95		AMP Incorporated 140 Fourth Avenue Waltham, MA 02451-7599	
CHECKED BY		TITLE OSP PANEL FEEDTHRU JACK RECEPTACLE STRAIGHT TERMINAL	
APPD BY		SIZE B	CODE IDENT NO. 26805
USE ASS'Y PROCEDURE		4558-5336-02	REV 01 ₀
NO. AP. N/A		SCALE 5:1 SHEET 1 OF 1	

CUSTOMER DRAWING

AMP PART # 1059675-1
SHEET 1 OF 1 REV A

单击下面可查看定价，库存，交付和生命周期等信息

[>>TE Connectivity\(泰科\)](#)