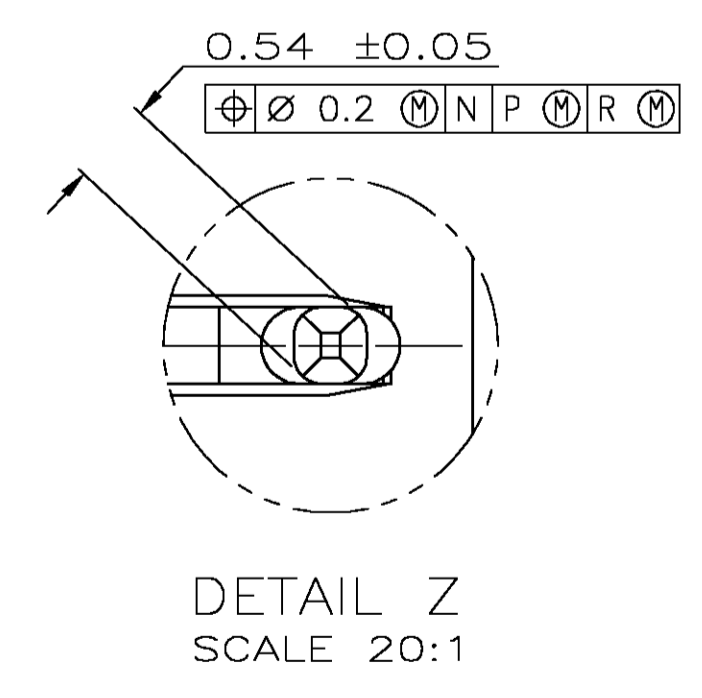


RECOMMENDED CIRCUIT PATTERN  
 PER IPC-D300 TYPE II, CLASS C  
 (COMPONENT SIDE)

- 1 HOUSING MATERIAL: LIQUID CRYSTAL POLYMER, COLOR: NATURAL.
- 2 CONTACT MATERIAL: PHOSPHOR BRONZE
- 3 CONTACT FINISH:(D)  
 UNDERPLATE (ENTIRE CONTACT):  
 0.00127 MIN NICKEL PER SAE-AMS-QQ-N-290  
 ON MATING SURFACES:  
 FLASH GOLD PER ASTM B 488, OVER  
 0.00076 MIN PALLADIUM-NICKEL OVER UNDERPLATE, OR  
 0.00076 MIN GOLD PER ASTM B 488 OVER UNDERPLATE.  
 ON LEADS:  
 0.00127 MIN MATTE TIN PER ASTM B 545 OVER UNDERPLATE.  
 LUBRICATION (MIN MATING SURFACES):  
 SURFACE CONDITIONER AFTER PLATING.
- 4 PART MARKING LOCATED APPROXIMATELY AS SHOWN.

ROW	D	AB		AC	
	C	AB		AC	
	B	AB		AC	
	A	AB		AC	
		1	2	3	4
		POWER POSITION			

CODE LETTER	MATING POST LENGTH ±0.1	LEAD LENGTH (REF)
AB	7.25	4.25
AC	8	4.25



6	1	10	5	11.88	3	8	5536630-1
E	D	C	B	A	FINISH	NO OF POWER POSN	PART NUMBER
THIS DRAWING IS A CONTROLLED DOCUMENT.		DMN R. BUCHHEISTER 18/JUN/98	Tyco Electronics Corporation		Harrisburg, Pa 17105-3608		
DIMENSIONS: mm [INCHES]		CHK D.R. BAECHTLE 18/JUN/98	APVD D.R. BAECHTLE 18/JUN/98		NAME		
TOLERANCES UNLESS OTHERWISE SPECIFIED:		PRODUCT SPEC		ASSEMBLY, PIN, POWER, VERTICAL, Z-PACK 2mm FB, 4 ROW, PRESS FIT LEADS, SEQUENCED			
0 PLC ± -	1 PLC ± -	APPLICATION SPEC		RESTRICTED TO			
2 PLC ± ± 0.13[.005]	3 PLC ± -	MATERIAL		SIZE	CAGE CODE	DRAWING NO	WEIGHT
4 PLC ± -	ANGLES ± -	FINISH		A1	00779	5536630	-
MATERIAL		FINISH		CUSTOMER DRAWING		SCALE 4:1	SHEET 1 OF 1

单击下面可查看定价，库存，交付和生命周期等信息

[>>TE Connectivity\(泰科\)](#)